

29132088	DATA SHEET
Valid from: 30.11.2018	POF CONNECTOR FSMA (HEX) CRIMP 6.0 /50PC

Description

- POF optical fibre connector F-SMA
- Suitable for polymer optical fibres
- Easy manufacturing by crimping



General characteristics

Connector, type (acc. to IEC 61754-22)	F-SMA
Suitable optical fibres (acc. to IEC 60793-2-40)	A4a & A4d (Polymer fibre, Ø1 mm)
Suitable cable-Ø	6.0 mm
Degree of protection	IP 20
Temperature range	-40 to +85 °C (-40 to +185 °F) (operation + storage)

Variation

Article	Description	Nut-profile	Package size [pcs]
29132088	POF Connector FSMA Hex Crimp 6.0 /50PC	Hexagonal	50
29132089	POF Connector FSMA Hex Crimp 6.0 /4PC	Hexagonal	4
29137098	POF Connector FSMA Crimp 6.0 /50PC	Knurl	50
29137099	POF Connector FSMA Crimp 6.0 /4PC	Knurl	4

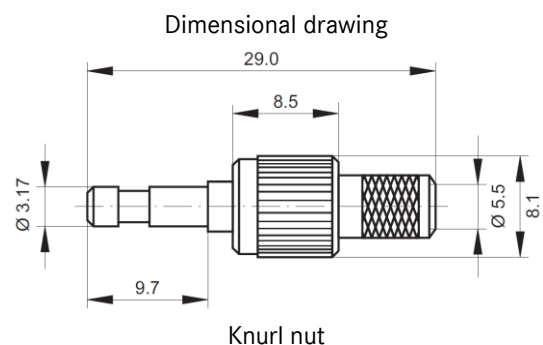
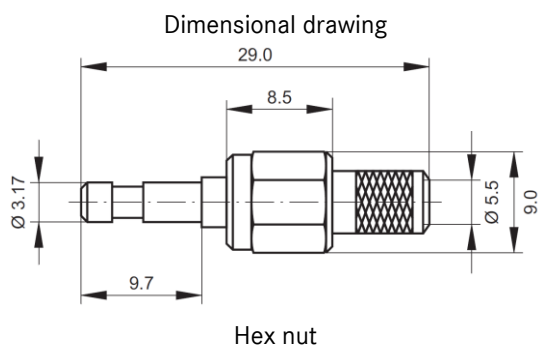
Optical properties

Typical insertion loss (IL) ≤ 1.5 dB (depending on fibre end face finish)

Mechanical properties

Ferrule, material	Nickel silver
Screw Nut, material	Nickel silver
Crimp sleeve, material	Brass
Protecting against kinking, material	TPE, black
Dust protection, material	HD-PE
Retention force of fibre- or cable sheath crimp	50 N
Retention force of fibre- and cable sheath crimp	80 N
Tightening Torque	Hand tight

Technical drawing



Application range

Optical networks, industry electronics, power electronics, consumer electronics

Note

Photographs are not true to scale and do not represent detailed images of the respective products.