

29440099	DATA SHEET
Valid from: 23.09.2019	POF ADAPTER HFBR45x5 GY SIMPLEX /4PC

Description

- POF optical fibre connector HFBR simplex
- Compatible with HFBR Versatile Link
- Suitable for HFBR4501- and HFBR4511-connector



General characteristics

Coupler, type	HFBR Simplex
Suitable connector type	HFBR4501 HFBR4511
Temperature range	-40 to +85 °C (-40 to +185 °F) (operation + storage) 0 to +70 °C (+32 to +158 °F) (installation)

Variation

Article	Description	Colour (*C)
29440099	POF ADAPTER HFBR4505 GY SIMPLEX /4PC	GY (grey)
29441099	POF ADAPTER HFBR4515 BL SIMPLEX /4PC	BL (blue)

Optical properties

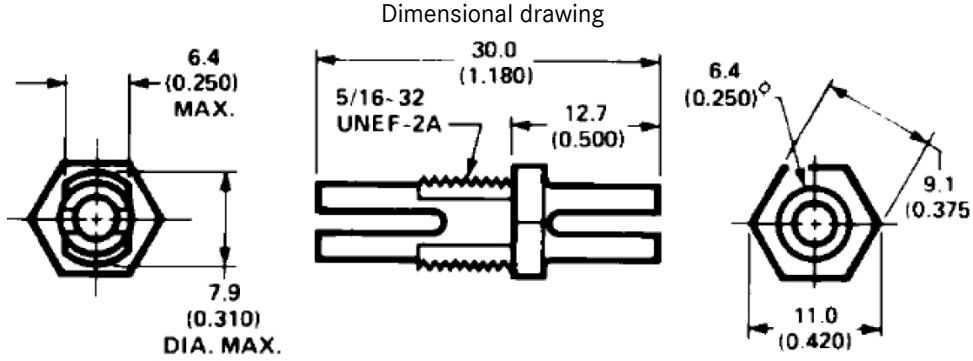
Insertion loss (IL) min. / max.	0.7 / 2.8 dB (plugged HFBR-connector, 25°C)
---------------------------------	---

Mechanical properties

Housing, material	Plastic
Retention force, connector in coupler min.	2.5 N

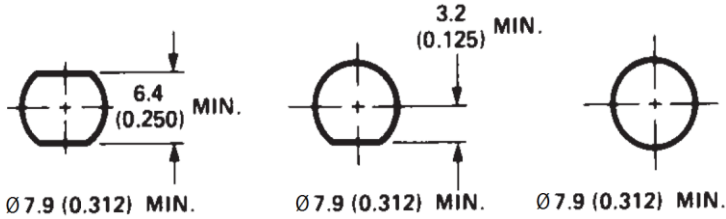
29440099	DATA SHEET
Valid from: 23.09.2019	POF ADAPTER HFBR45x5 GY SIMPLEX /4PC

Technical drawing



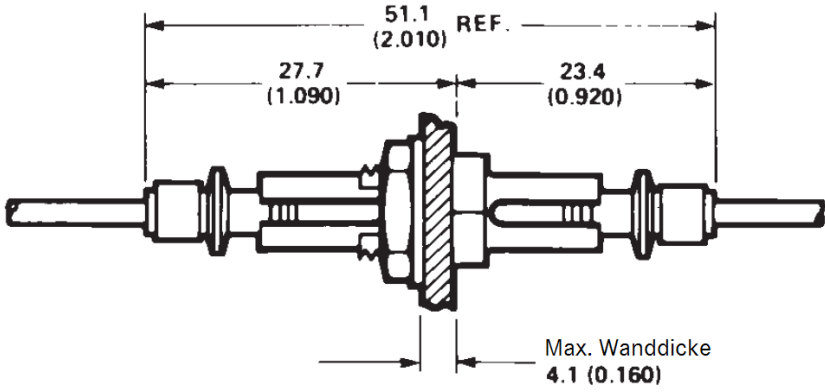
All dimensions in mm (inches)

Dimensional drawing – Overview of possible cut-outs for assembly



All dimensions in mm (inches). All dimensions +0.2 mm

Maßzeichnung – Einbausituation inkl. Wand und Steckverbinder



All dimensions in mm (inches). All dimensions ±0.25 mm

Application range

Optical networks, industry electronics, power electronics

Note

Photographs are not true to scale and do not represent detailed images of the respective products.