

52008010	<b>DATA SHEET</b>	
Valid from: 27.11.2019	<b>SKINDICHT® FL</b>	

The SKINDICHT® FL is a variable flange; it can be used universally for flat or round cables. It is mainly used for large flat cables which cannot be accommodated in our SKINDICHT® flat cable glands, up to PG 48. Several flat cables can also be fed through at the same time. Applications fields are for example crane building, plant construction, for power chains and restricted spaces.



### Components:

Body	Aluminium (AlMgSi0,5) untreated alloy
Screws and spring washers	Steel, nickel plated
Seal	NBR

### Technical Features:

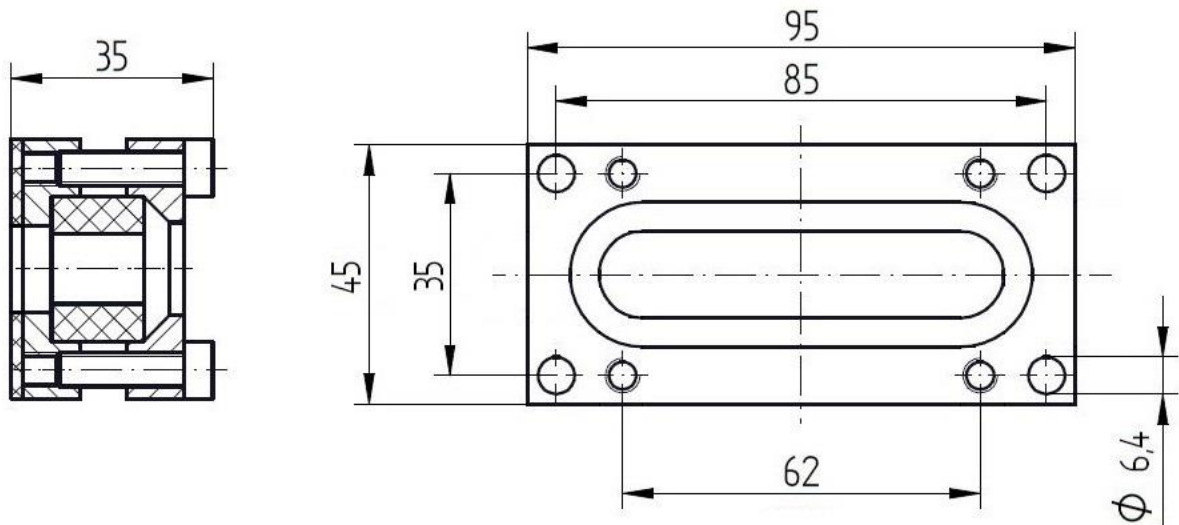
Sizes	FL 1 up to FL 5
Protection class	IP54 – IP68 acc. to EN 60529
Temperature range	-20° C up to +100° C

### Note:

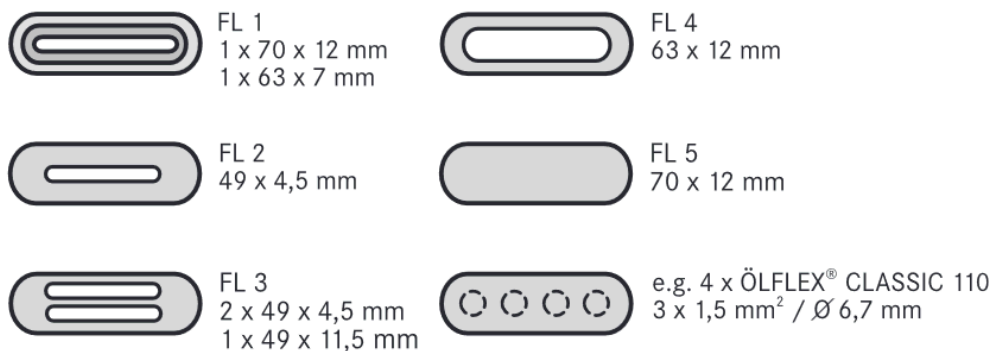
Drill solid rubber inserts to match the appropriate cable diameter (round cables  $\varnothing + 1\text{mm}$ )  
When frozen to at least  $-25^{\circ}\text{C}$ , the solid sealing inserts are easy to drill.

Creator: MAU1 /PDP Released: DAMU1/PDP	Document: DB52008010EN Version: 03	Page 1 of 2
---	---------------------------------------	-------------

52008010	<b>DATA SHEET</b>	
Valid from: 27.11.2019	<b>SKINDICHT® FL</b>	



Article designation	Cable pass length x width [mm]	Part No.
SKINDICHT® FL 1	70 x 15 or 63 x 7	5200 8010
SKINDICHT® FL 2	49 x 4,5	5200 8020
SKINDICHT® FL 3	2x 49 x 4,5 or 1x 49 x 11,5	5200 8030
SKINDICHT® FL 4	63 x 12,0 <sup>(+0,2)</sup>	5200 8040
SKINDICHT® FL 5	70 x 15	5200 8050



For more information please see our current catalogue. Please do not hesitate to contact our laboratory if there are any questions regarding resistance against aggressive agents and special oil.

Creator: MAU1 /PDP Released: DAMU1/PDP	Document: DB52008010EN Version: 03	Page 2 of 2
---	---------------------------------------	-------------