

52103300	<b>DATA SHEET</b>	
Valid from: 24.11.2023	<b>SKINDICHT® SM-PE-M</b>	

The SKINDICHT® SM-PE-M is an earth-equipotential locknut, nickel-plated brass with metric thread.

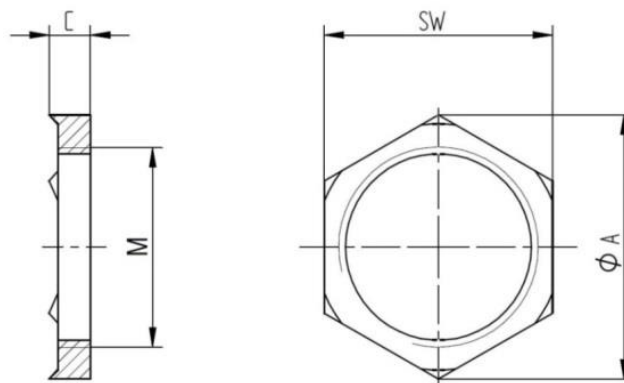
The SKINDICHT® SM-PE-M is required wherever varnished, anodized and powder coated housings are used. When the locknut is tightened, it cuts through the insulating layer guaranteeing optimum contact.



### Technical features:

Material	Brass, nickel plated Brass lead free, nickel plated
Size	M12x1.5 up to M110x2 acc. to DIN EN 60423
Temperature range	-60°C up to +200°C

### Norm references:



Thread M	Wrench Size SW mm	Diameter Ø A mm	Thickness C mm	Article No.	
				Brass	Brass Lead Free
M12x1,5	15	17,32	4,7	52103300	52103300LF
M16x1,5	19	21,94	4,7	52103310	52103310LF
M20x1,5	24	27,70	4,7	52103320	52103320LF
M25x1,5	30	34,60	5,2	52103330	52103330LF
M32x1,5	36	41,5	5,7	52103340	52103340LF
M40x1,5	46	53,1	6,5	52103350	52103350LF
M50x1,5	60	69,28	6,5	52103360	52103360LF
M63x1,5	70	80,83	7,0	52103370	52103370LF
M75x1,5	85	95	8	52103371	-
M90x2	102	114	10	52103372	-
M110x2	124	135	12	52103373	-

For more information please see our current catalogue. Please do not hesitate to contact our laboratory if there are any questions regarding resistance against aggressive agents and special oil.

Creator: MAU1 /PDP Released: DAMU1/PDP	Document: DB52103300EN Version: 09	Page 1 of 1
---	---------------------------------------	-------------