
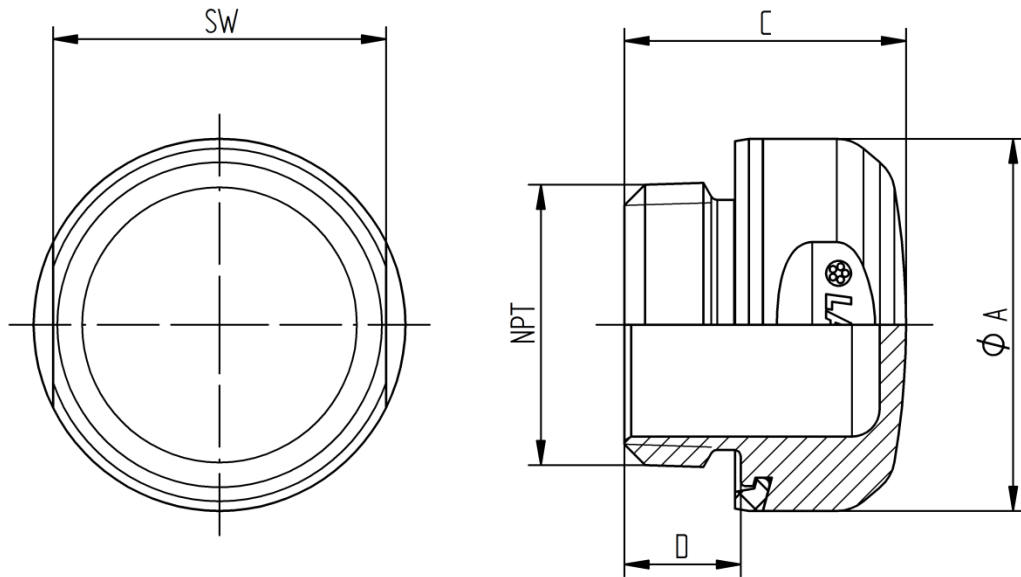


| | | |
|---------------------------|-----------------------------------|---|
| 52103494 | DATA SHEET |  |
| Valid from: 14.10.2020 | SKINDICHT® HYGIENIC BL-NPT | |

Technical drawing:



Dimension Table

| Part No. | Article description | NPT | SW [mm] | Ø A [mm] | C [mm] | D [mm] |
|----------|----------------------------------|--------|---------|----------|--------|--------|
| 52103494 | SKINDICHT HYGIENIC BL-NPT 1/4" | 1/4" | 16 | 18,8 | 17,4 | 7,2 |
| 52103495 | SKINDICHT HYGIENIC BL-NPT 3/8" | 3/8" | 20 | 22,8 | 18,7 | 7,8 |
| 52103496 | SKINDICHT HYGIENIC BL-NPT 1/2" | 1/2" | 24 | 26,8 | 20,3 | 8,4 |
| 52103497 | SKINDICHT HYGIENIC BL-NPT 3/4" | 3/4" | 29 | 31,8 | 21,5 | 8,8 |
| 52103498 | SKINDICHT HYGIENIC BL-NPT 1" | 1" | 36 | 39,6 | 23,5 | 10 |
| 52103499 | SKINDICHT HYGIENIC BL-NPT 1 1/4" | 1 1/4" | 45 | 49 | 24,7 | 10,2 |

For more information please see our current catalogue. Please do not hesitate to contact our laboratory if there are any questions regarding resistance against aggressive agents and special oil.

| | | |
|--|---------------------------------------|-------------|
| Creator: MAU1/PDP Released: DAMU1/PDP | Document: DB52103494EN Version: 03 | Page 2 of 2 |
|--|---------------------------------------|-------------|