


53806818	<b>DATA SHEET</b>	
Valid from: 02.12.2021	<b>SKINTOP® INOX SC NPT</b>	

The cable gland with hygienic design made from high-grade stainless steel with NPT thread is suitable for an extremely wide variety of applications especially the food and pharmaceutical industries. The material and shape meet the high requirements of these industries. The smooth design minimizes the accumulation of moisture, dust, contamination or food residue.

The cable gland also offers great benefits for other applications, where the ambient conditions are harsh, such as those sited offshore. The compact design, the place saving shape and the big clamping range simplify the installation.

The SKINTOP® INOX SC NPT is especially designed for copper-screened cables and is used to achieve a low-resistance screen contact.



### Components:

Gland body	Stainless steel – V4A (1.4404 / 316L)
Cap nut	Stainless steel – V4A (1.4404 / 316L)
Insert with lamellar cage	Polyamide
Sealing ring	Silicone
Contact spring	CuBe, tin-plated
O-Ring	Silicone

### Technical features:

Connecting thread	NPT 1/4" bis NPT 1 1/2" acc. to ASME B1.20.1-2013
Protection class	IP68 – 5 bar, test acc. to EN 60529 IP69 acc. to EN 60529 (on pending) NEMA Type 1, Type 2, Type 4X, Type 6, Type 12 acc. to UL50E
Temperature range	-40 °C up to +100 °C
Transfer impedance	≤ 10 mOhm
Chemical resistance	ECOLAB certification

### Other characteristics:

Halogen-free  
Functional safety  
Optimal strain relief  
Variable clamping range

### Certificates:



### Norm References:




#### DIN EN ISO 14 159

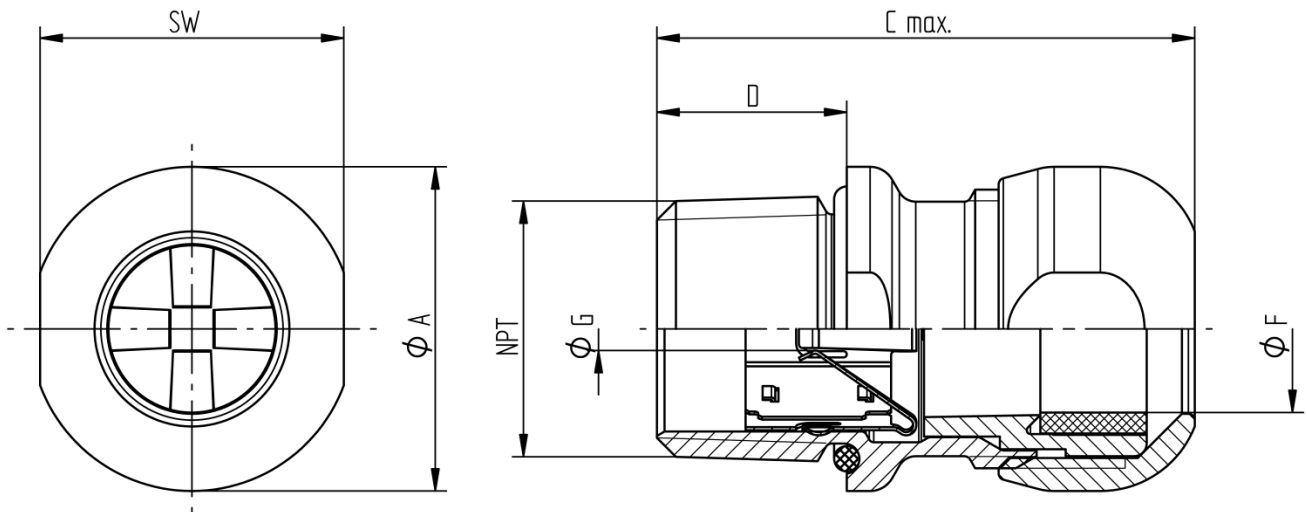
Safety of machinery - Hygiene requirements for the design of machinery

#### DIN EN 1672-2

Food processing machinery - Basic concepts -  
Part 2: Hygiene requirements

Creator: HYDO1/PDP Released: DAMU1/PDP	Document: DB53806818EN Version: 01	Page 1 of 2
---	---------------------------------------	-------------

53806818	<b>DATA SHEET</b>	
Valid from: 02.12.2021	<b>SKINTOP® INOX SC NPT</b>	



Article number	NPT	SW [mm]	Ø A [mm]	C max. [mm]	D [mm]	Ø F [mm] Clamping range	Ø G min [mm] over braid	O-Ring [mm]
53806818	NPT 1/4"	16	17,2	37,8	15	4 - 7	2	9 x 2
53806819	NPT 3/8"	20	21,4	40,4	15	6 - 10	4	13 x 2
53806820	NPT 1/2"	24	25,6	42,5	15	7 - 13	5	17 x 2
53806821	NPT 3/4"	29	30,8	46,2	15	9 - 17	7,5	22 x 2
53806822	NPT 1"	36	38,2	50,6	15	11 - 21	9	28 x 2
53806823	NPT 1 1/4"	45	48,0	59,2	17	19 - 28	15	36 x 2
53806824	NPT 1 1/2"	54	58,0	63,2	17	27 - 35	21	43 x 2,5

**SKINTOP  
INOX  
SC  
NPT**

For more information please see our current catalogue. Please do not hesitate to contact our laboratory if there are any questions regarding resistance against aggressive agents and special oil.

Creator: HYDO1/PDP Released: DAMU1/PDP	Document: DB53806818EN Version: 01	Page 2 of 2
---	---------------------------------------	-------------