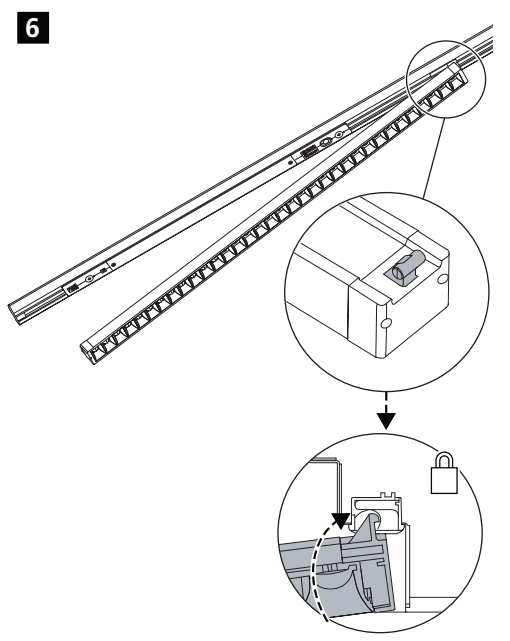
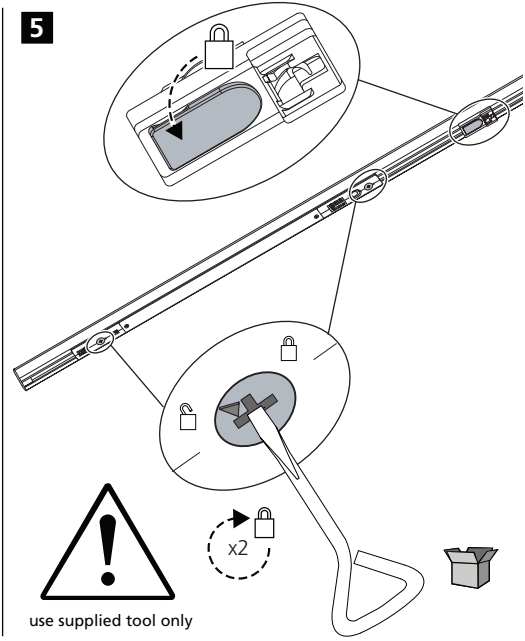
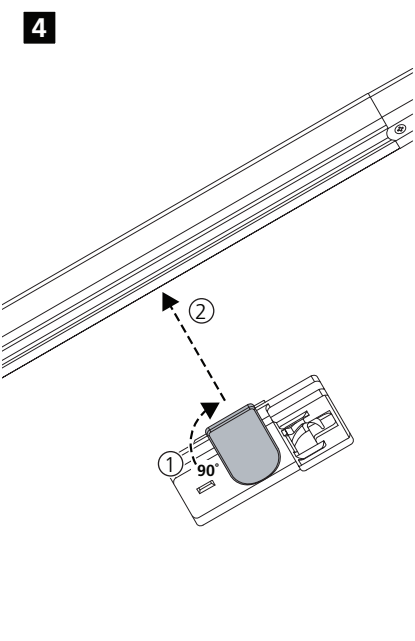
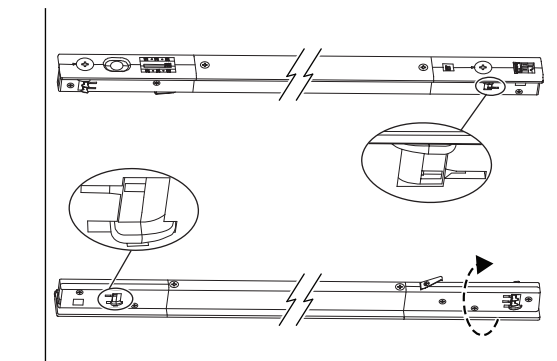
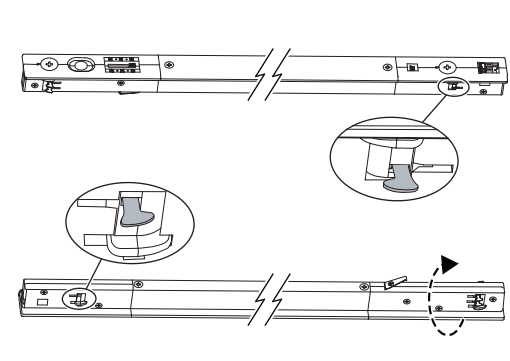
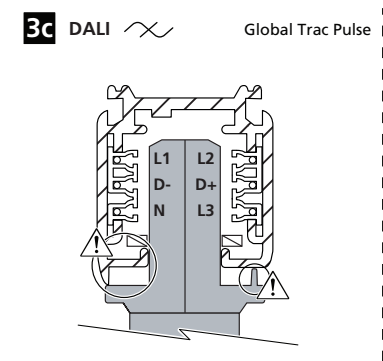
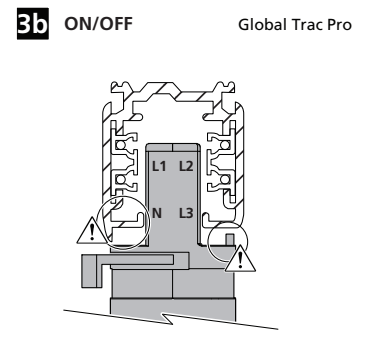
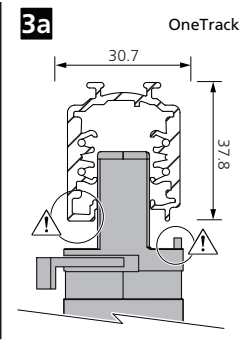
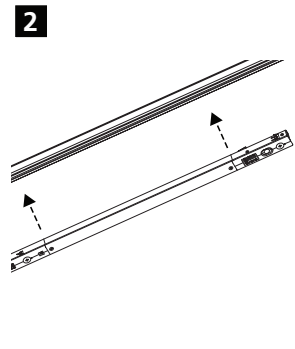


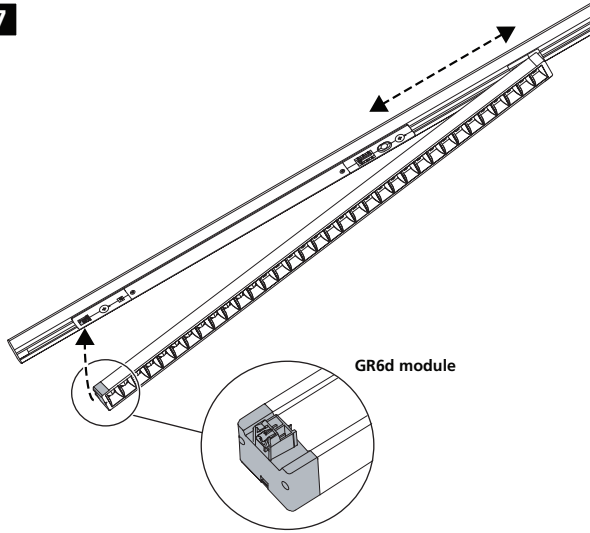
	L	W	H
1 Pixo Line 1500 UGR	1464	37	37.4
2 Pixo Line 90D - Asym-D. Asym	1464	37	38.4
3 Pixo Line Driver	672	31	32

1

ON	ON	ON	
1	2	3	[mA]
●	●	●	350
○	●	●	400
○	○	●	500
○	○	○	600
●	●	○	700
●	●	○	800
●	○	○	900
○	○	○	1050

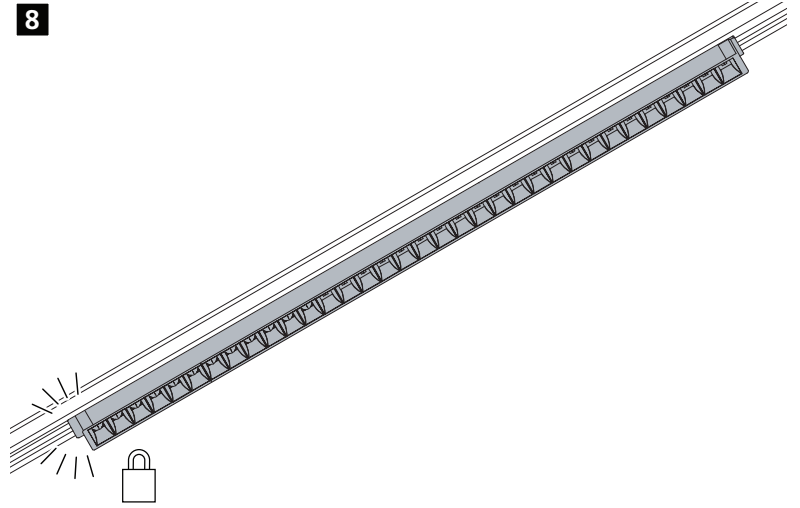


7

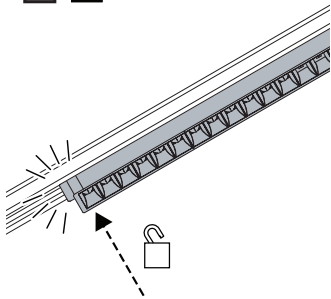


GR6d module

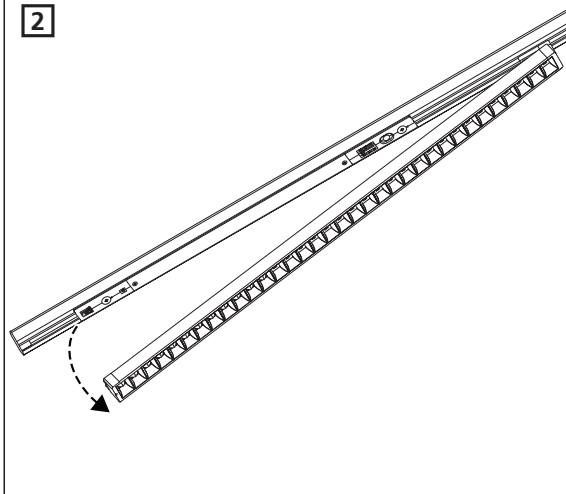
8



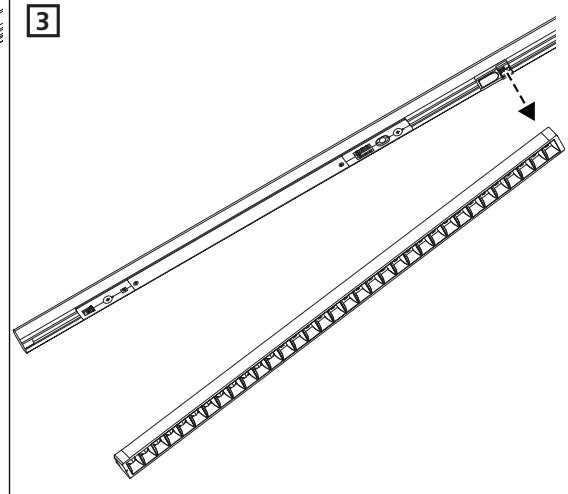
1 ! To uninstall



2



3



! Compatible 3-Circuit tracks

ON/OFF Application

Nordic Aluminium	GLOBAL Trac Pro XTS-4xxx / XTSF-4xxx
Eutrac	25-XX-XX / 26-XX-XX
Erco	783...
Ivela	7501 / 7511 / 7512
Powergear	PRO-0610
Stucchi	Onetrack
UniPro	T32W / T32FW
Zumtobel	S280...

DALI Application

Nordic Aluminium	GLOBAL Trac Pulse XTSC-6xxx / XTSCF-6xxx
Powergear	PRO-0610
Stucchi	Onetrack
UniPro	T32W / T32FW