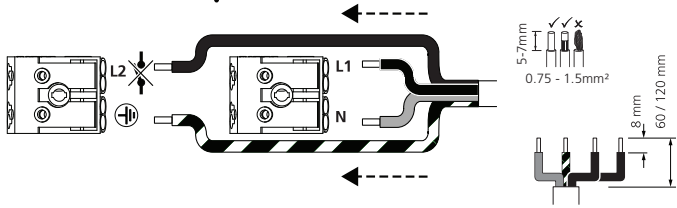
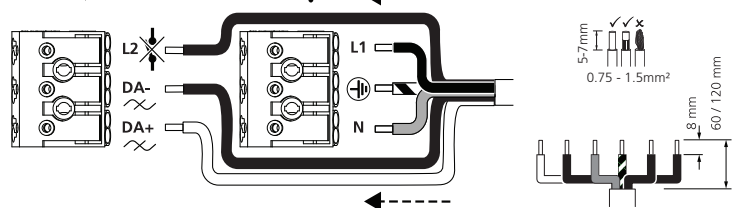


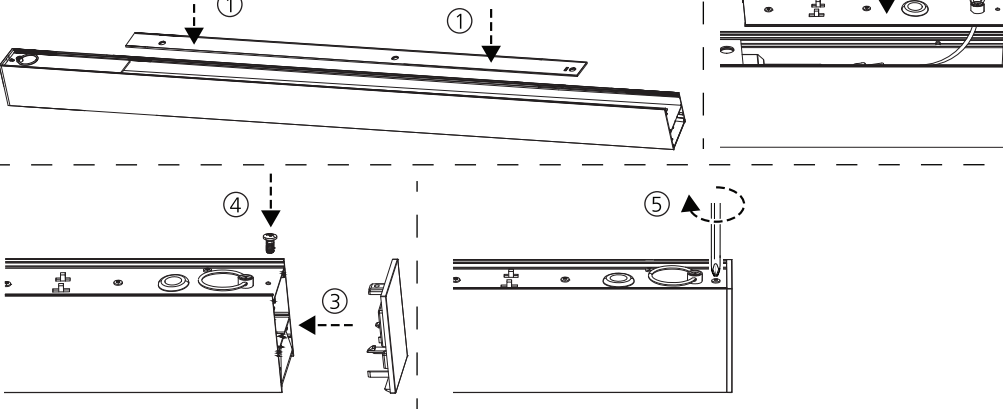
V a ⚡ 220-240V~ + ⚡



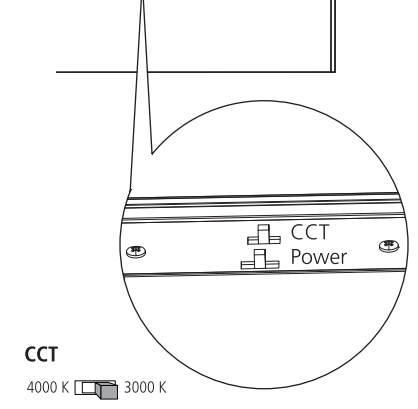
V b ⚡ 220-240V~ + DALI ⚡ + ⚡



VI



VII



Power - Otao Linear 1.2

OPAL	Power options [W]		
0041800 / 0041801	24-26 ⚙️	-	✓
0040800 / 0040801	24-26 ⚙️	-	✓
0041800 / 0041801 + 0041815	36-39	✓	✗
0040800 / 0040801 + 0041815	36-39	✓	✗

PRISMATIC	Power options [W]		
0041802 / 0041803	22-24 ⚙️	-	✓
0040802 / 0040803	22-24 ⚙️	-	✓
0041873 / 0041874	22-24 ⚙️	-	✓
0040873 / 0040874	22-24 ⚙️	-	✓
0041802 / 0041803 + 0041813	34-36	✓	✗
0040802 / 0040803 + 0041813	34-36	✓	✗
0041873 / 0041874 + 0041813	34-36	✓	✗
0040873 / 0040874 + 0041813	34-36	✓	✗

REFLECTOR	Power options [W]		
0041804 / 0041805 0041823 / 0041824 0041825 / 0041826	22-24 ⚙️	-	✓
0040804 / 0040805 0040823 / 0040824 0040825 / 0040826	22-24 ⚙️	-	✓
0041804 / 0041805 + 0041814 0041823 / 0041824 + 0041814 0041825 / 0041826 + 0041814	34-36	✓	✗
0040804 / 0040805 + 0041814 0040823 / 0040824 + 0041814 0040825 / 0040826 + 0041814	34-36	✓	✗

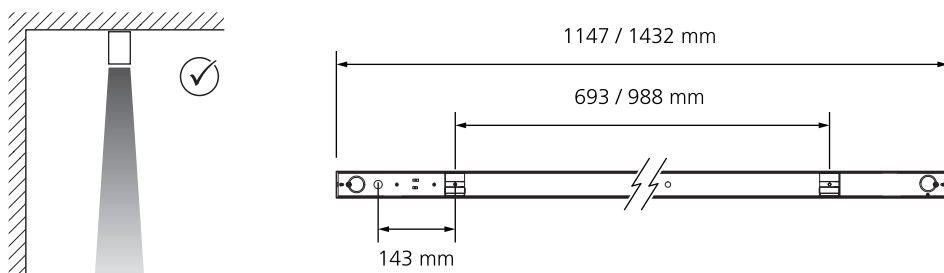
Power - Otao Linear 1.5

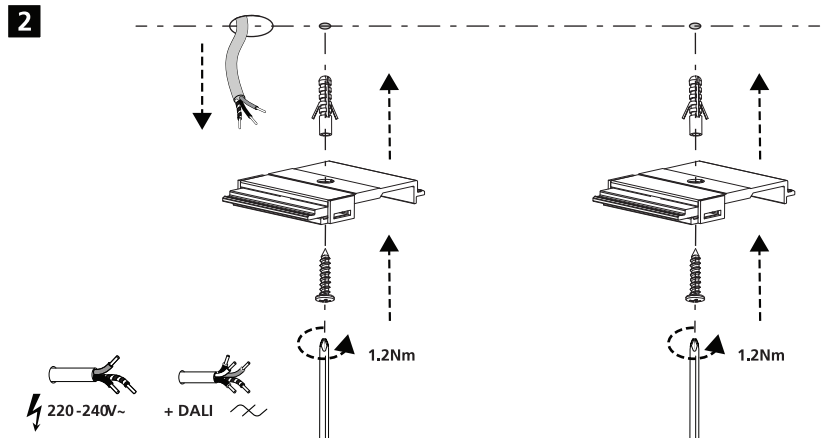
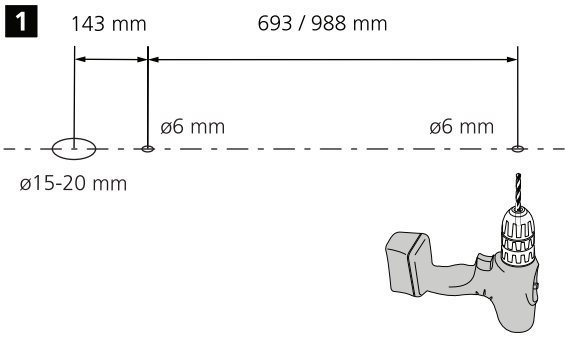
OPAL	Power options [W]		
0041832 / 0040832	28 ⚙️	-	✓
0041832 / 0040832 + 0041815	39	✓	✗

PRISMATIC	Power options [W]		
0041833 / 0040833	27 ⚙️	-	✓
0041833 / 0040833 + 0041813	39	✓	✗

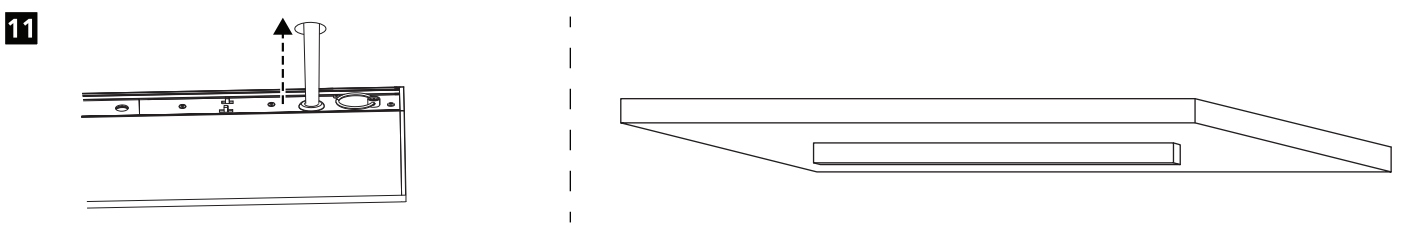
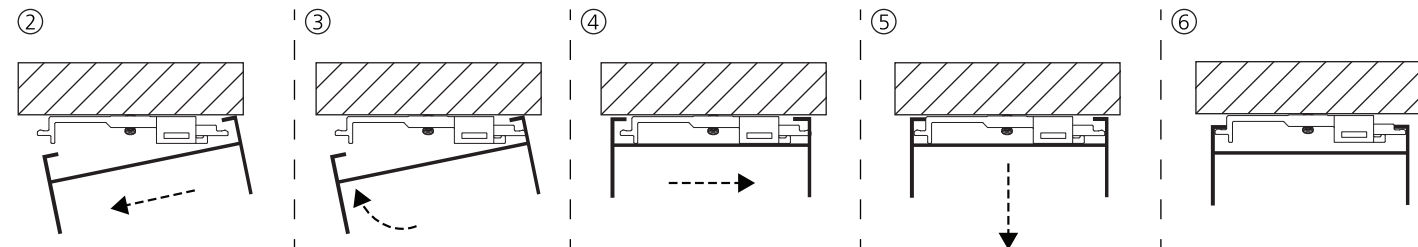
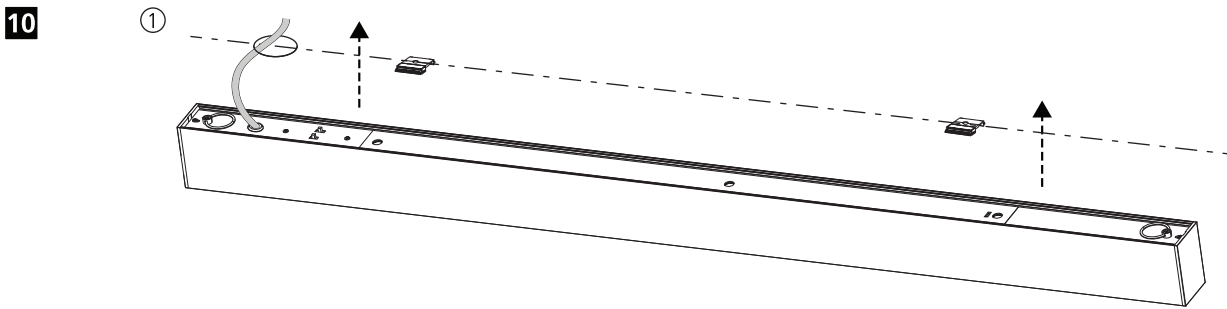
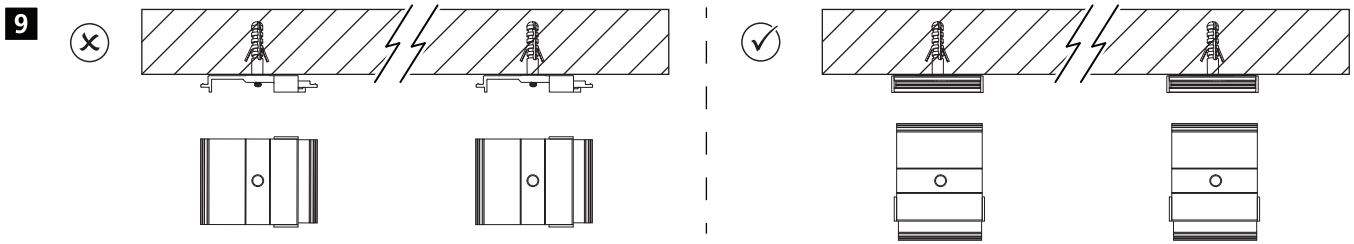
REFLECTOR	Power options [W]		
0041834 / 0040834 0041835 / 0040835 0041836 / 0040836	27 ⚙️	-	✓
0041834 / 0040834 + 0041814 0041835 / 0040835 + 0041814 0041836 / 0040836 + 0041814	39	✓	✗

Surface mounting

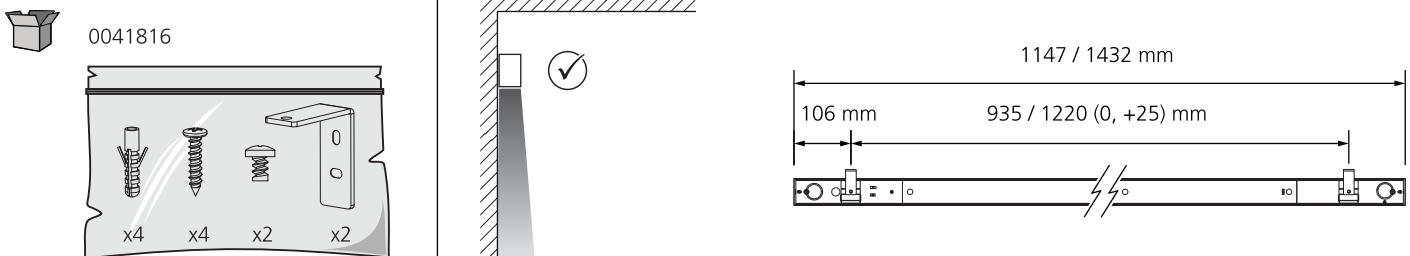


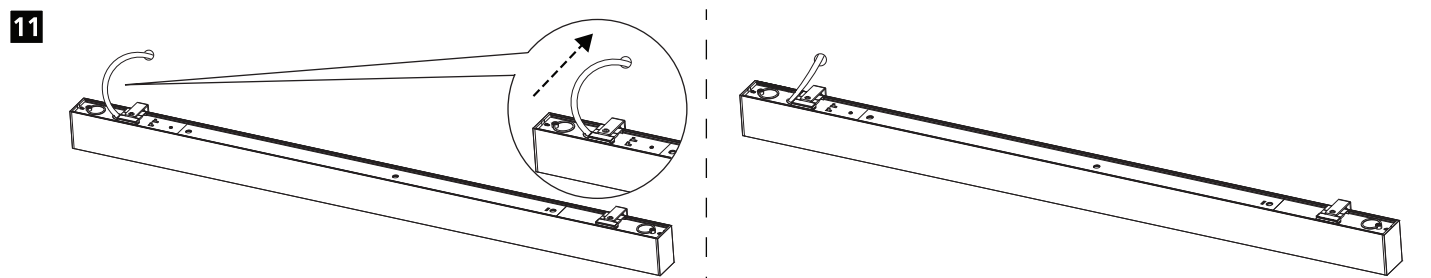
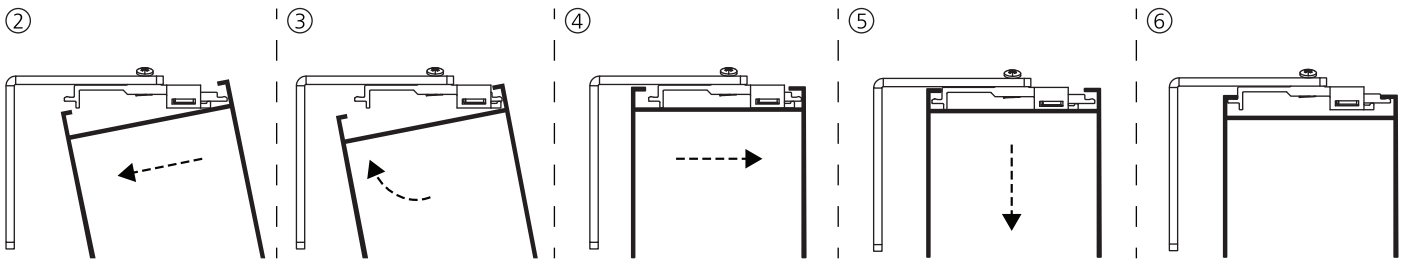
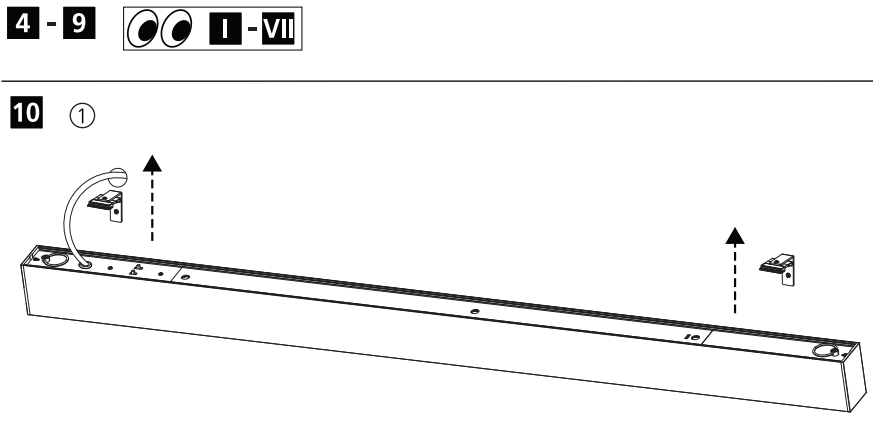
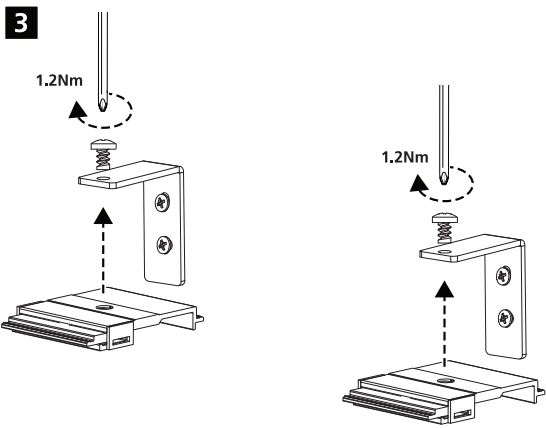
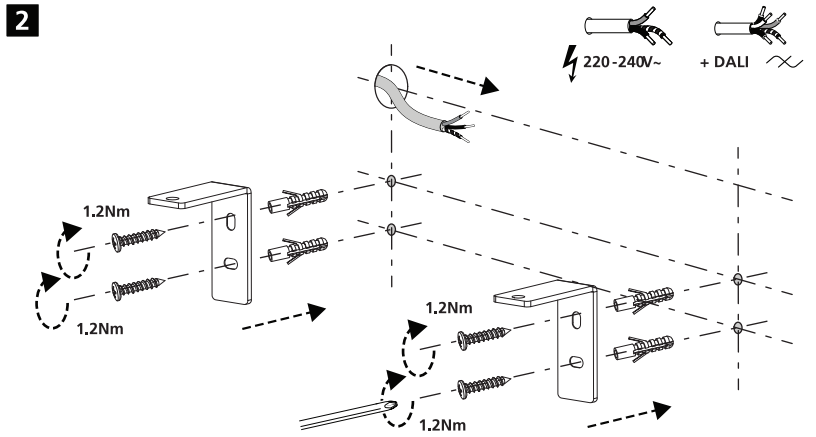
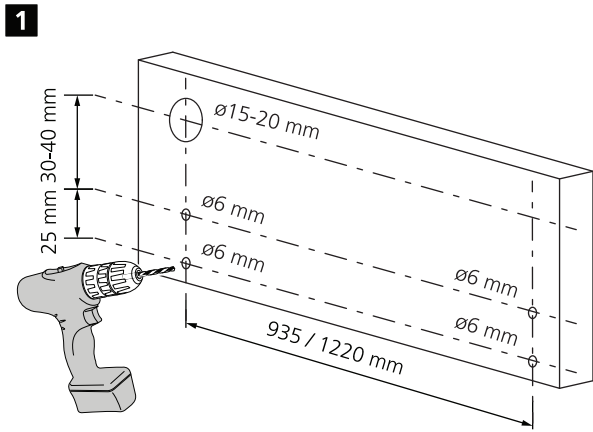


3 - 8 I - VII

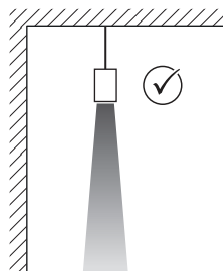
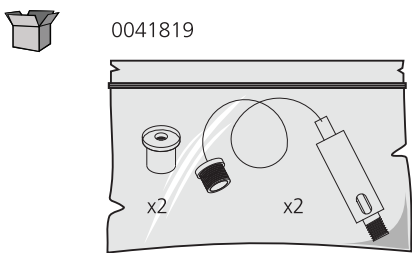


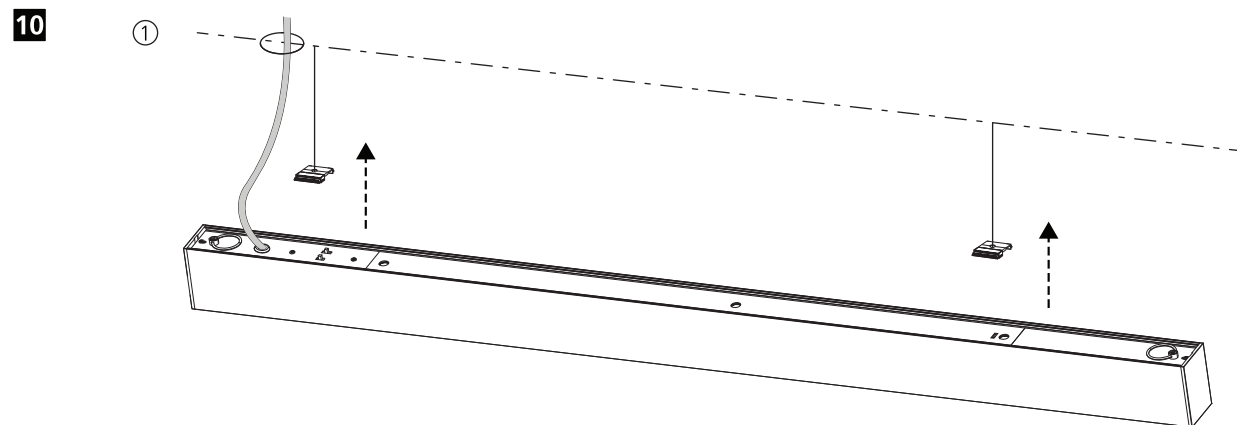
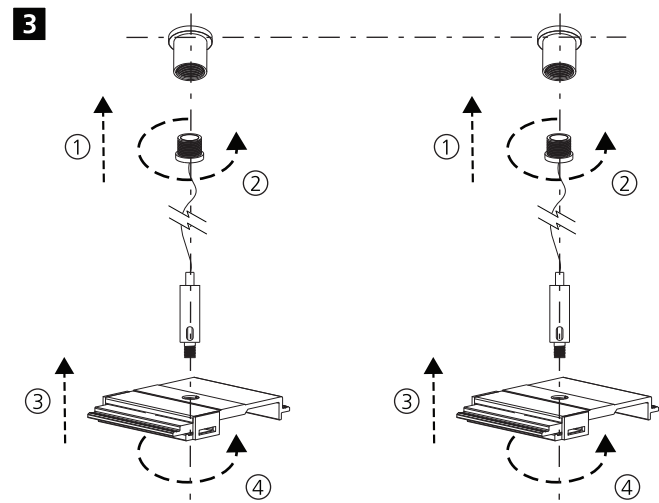
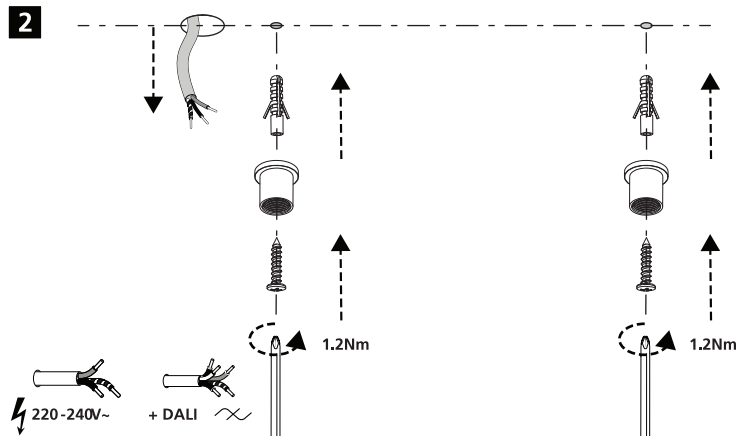
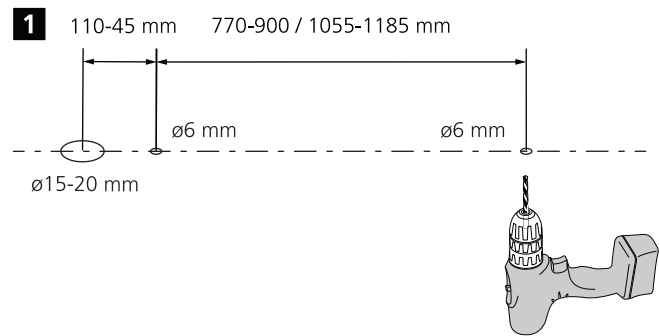
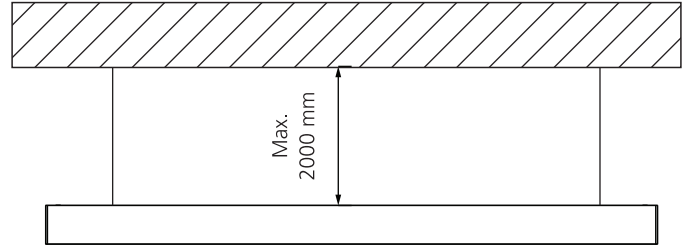
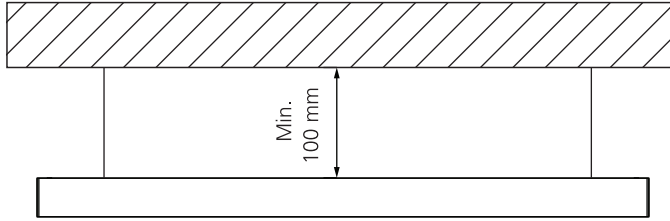
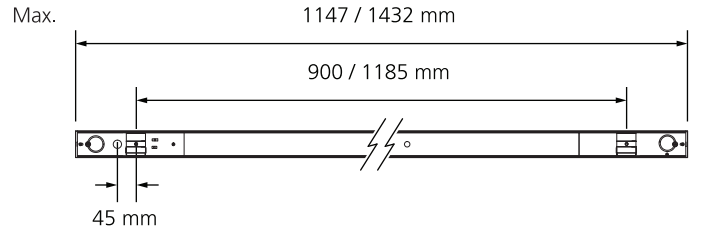
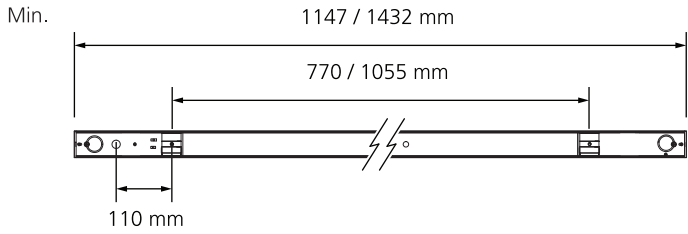
Wall mounting

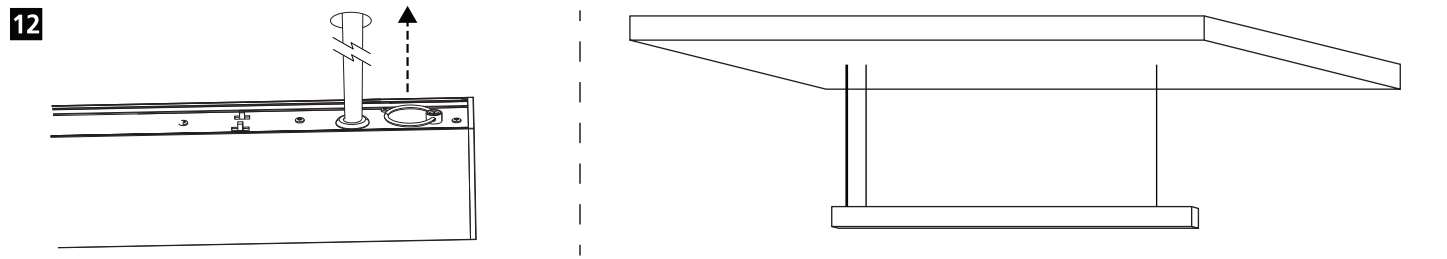
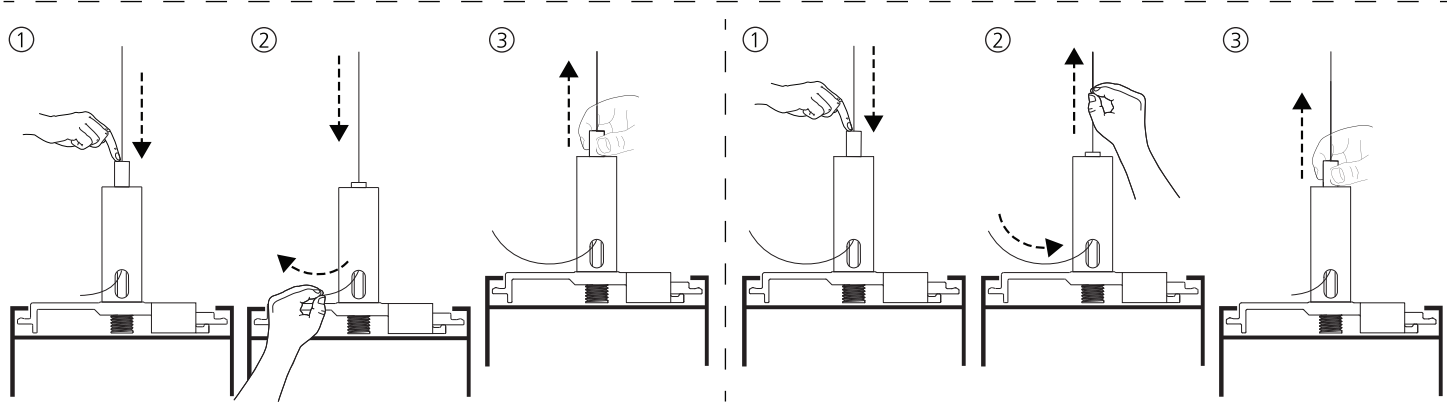
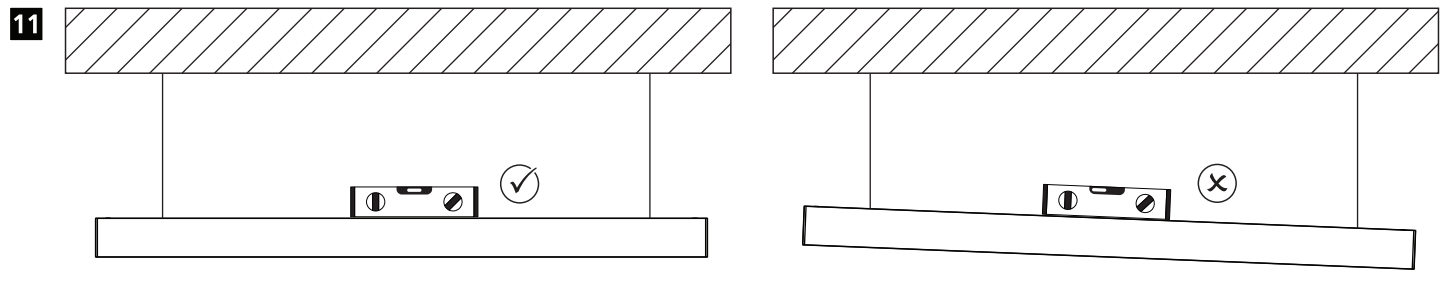
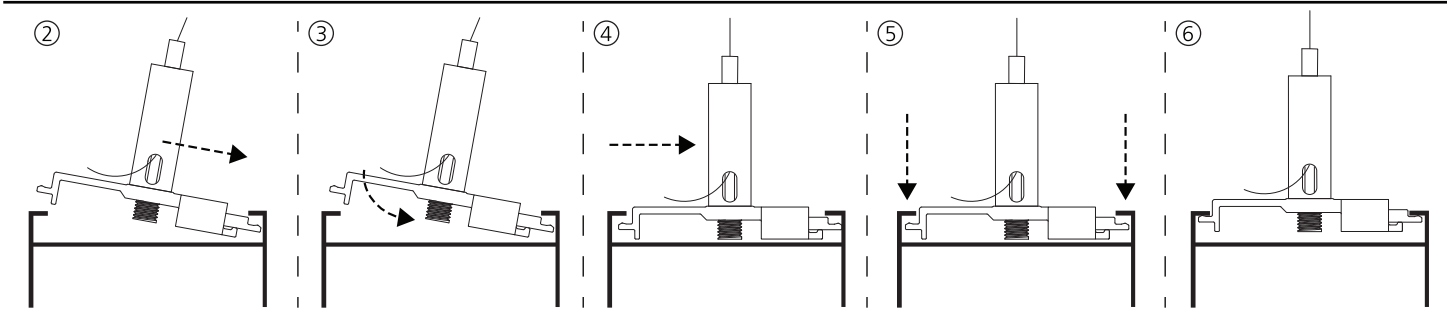




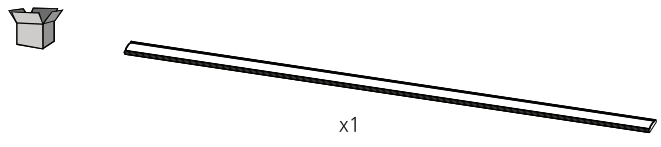
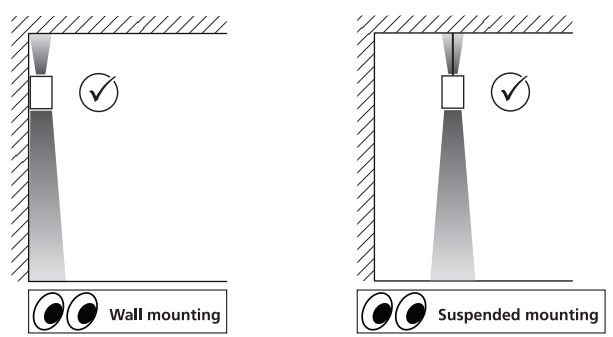
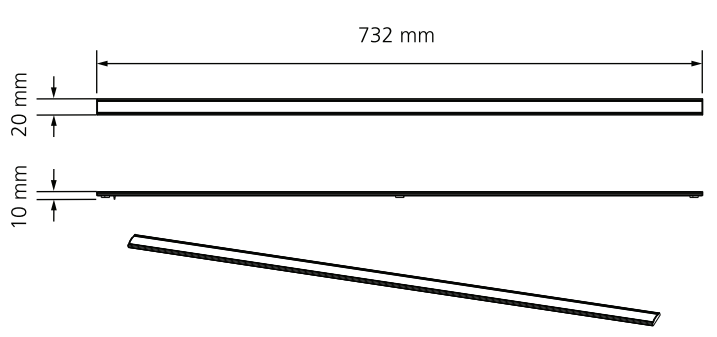
Suspended mounting





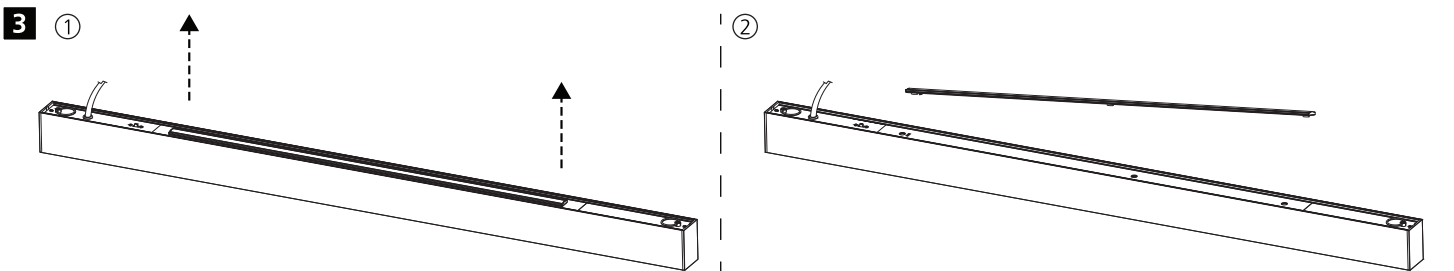
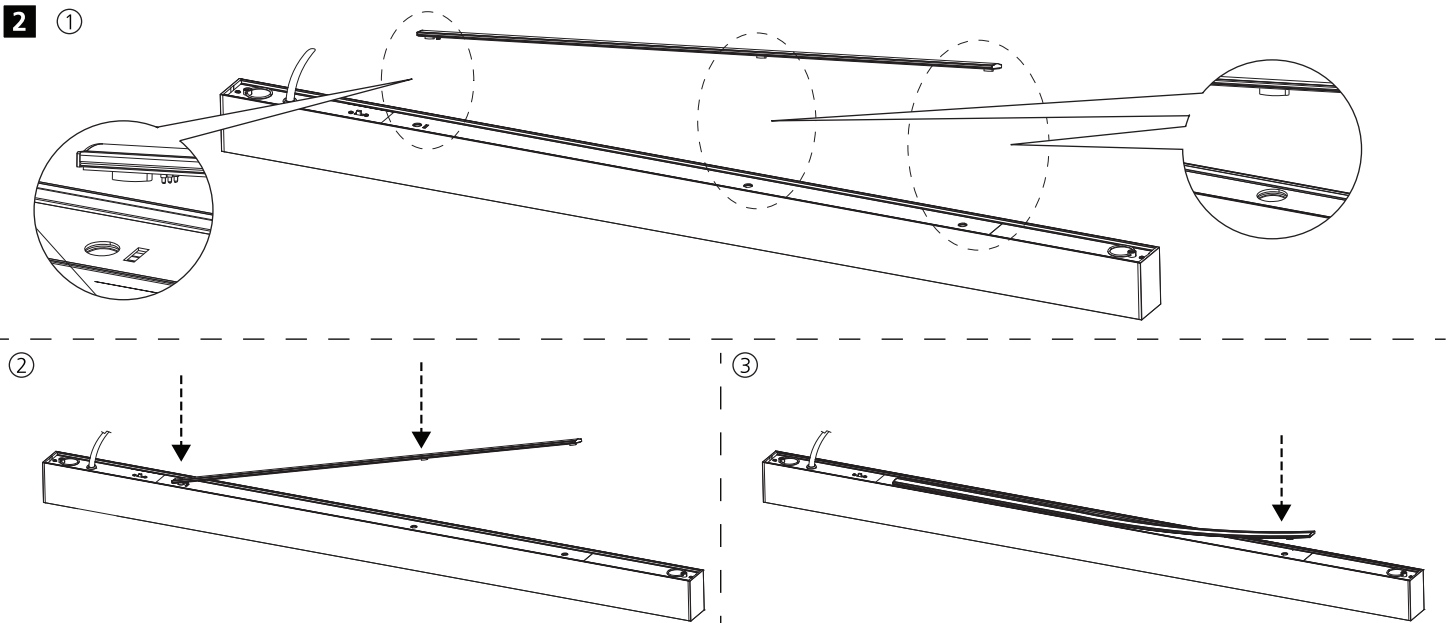
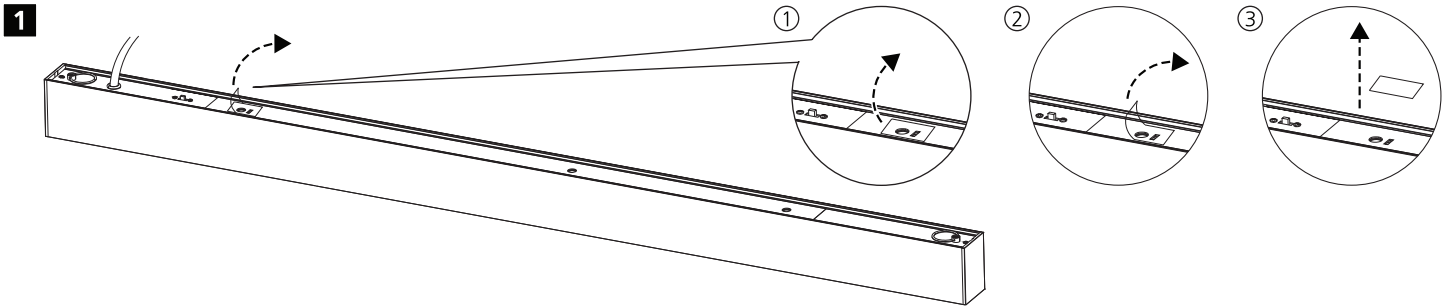


Uplight module - 0041815, 0041813, 0041814




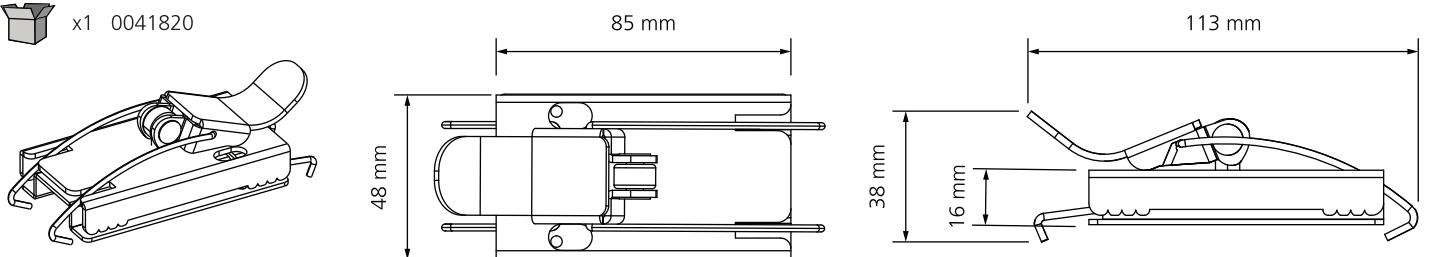
Otao Linear 1.2	Uplight module		
	0041815	0041813	0041814
0041800 / 0041801 0040800 / 0040801	✓	✗	✗
0041802 / 0041803 0040802 / 0040803	✗	✓	✗
0041873 / 0041874 0040873 / 0040874	✗	✓	✗
0041804 / 0041805 0040804 / 0040805	✗	✗	✓
0041823 / 0041824 0040823 / 0040824	✗	✗	✓
0041825 / 0041826 0040825 / 0040826	✗	✗	✓

Otao Linear 1.5	Uplight module		
	0041815	0041813	0041814
0041832 / 0040832	✓	✗	✗
0041833 / 0040833	✗	✓	✗
0041834 / 0040834	✗	✗	✓
0041835 / 0040835	✗	✗	✓
0041836 / 0040836	✗	✗	✓

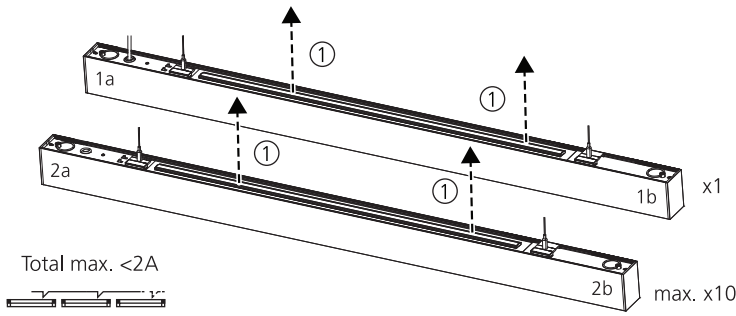


Continuous line - 0041820, 0041821

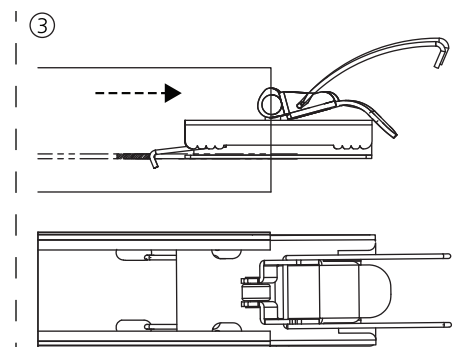
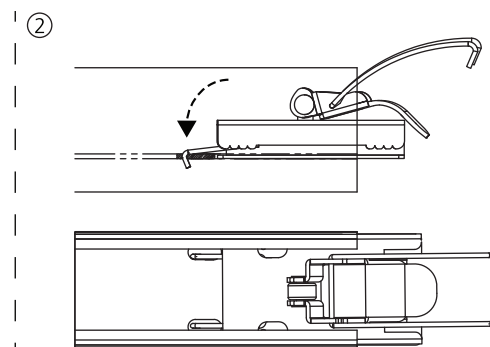
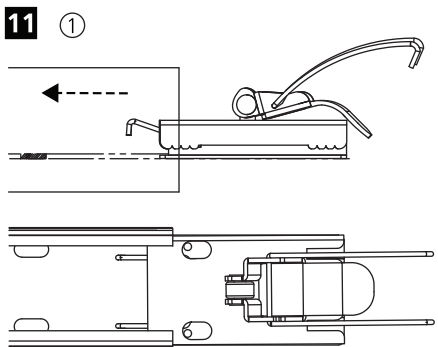
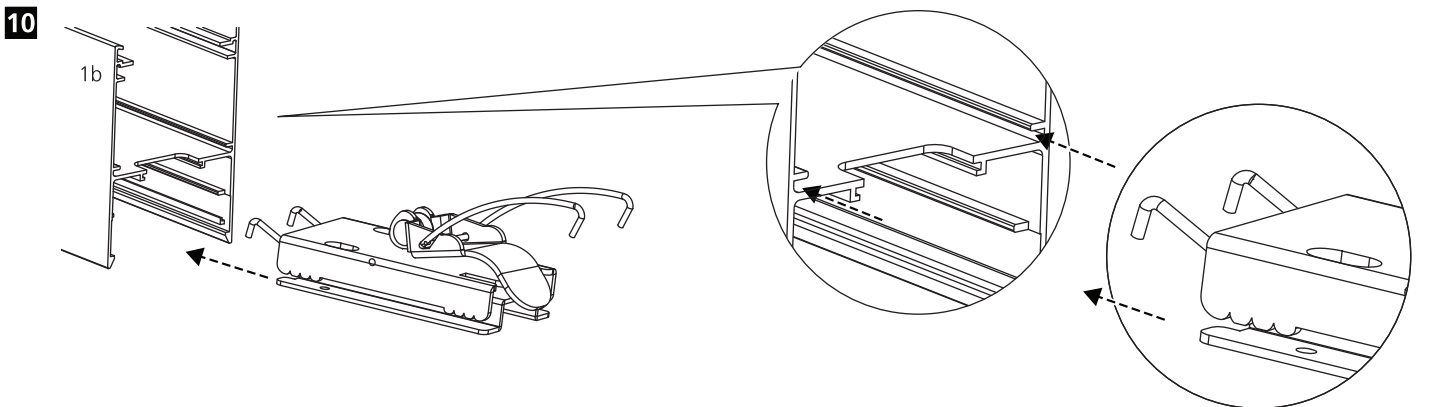
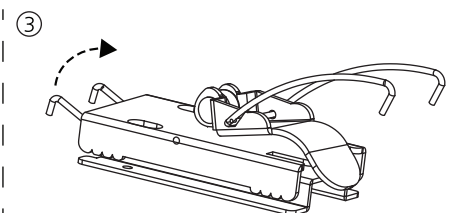
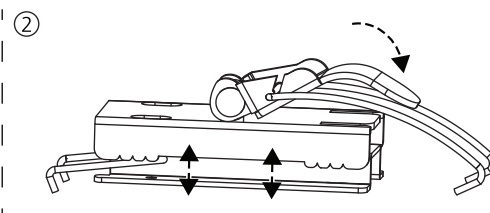
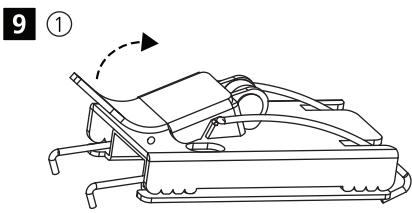
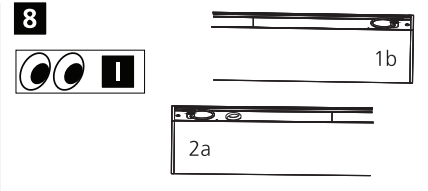
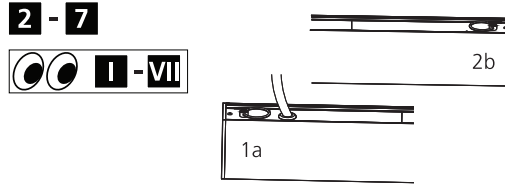
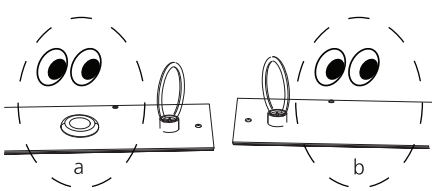
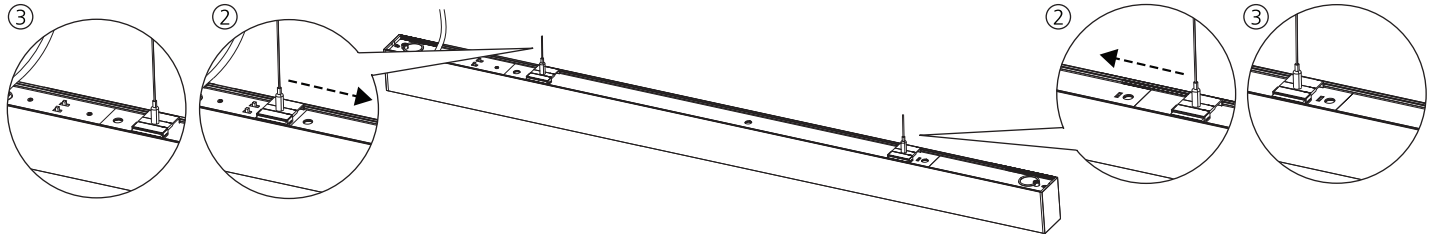
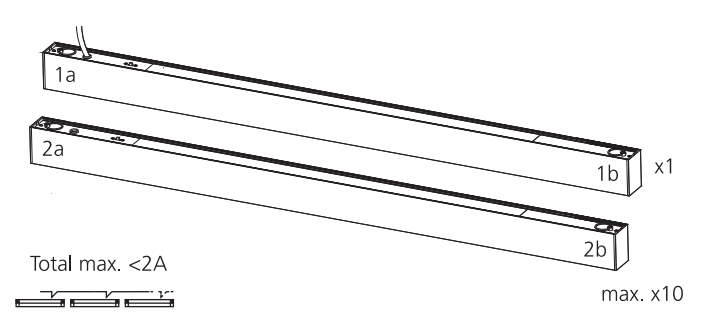
 x1 0041820

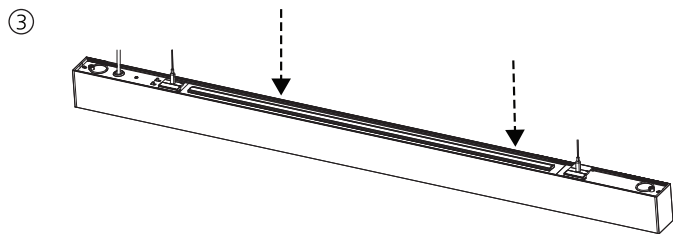
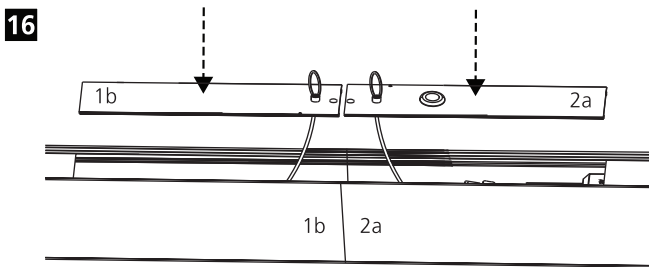
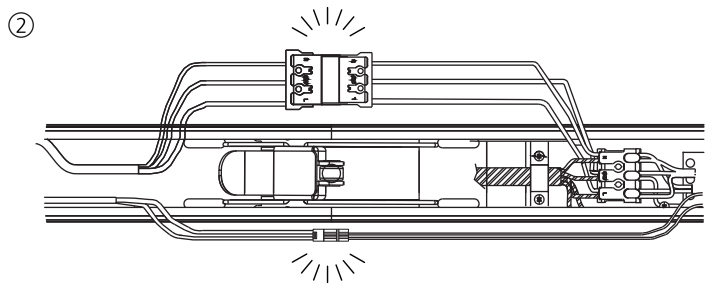
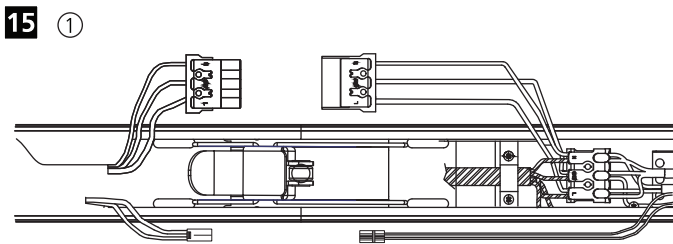
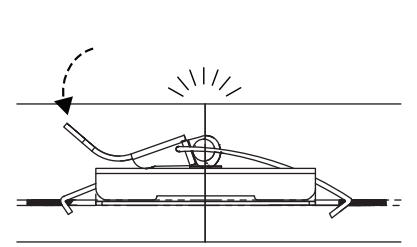
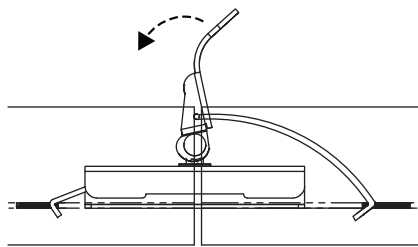
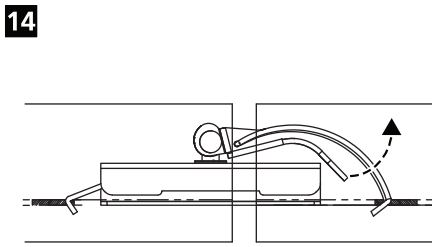
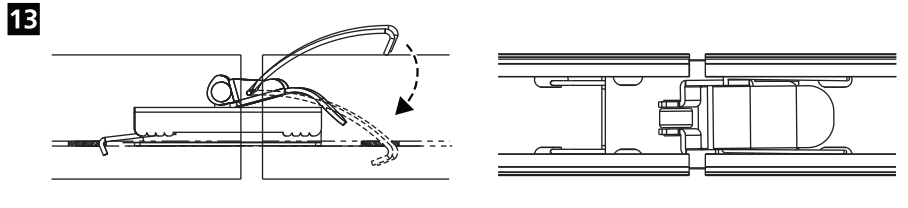
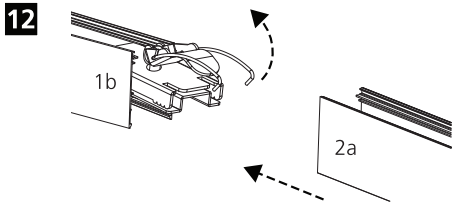


1 Suspended mounting, Uplight module

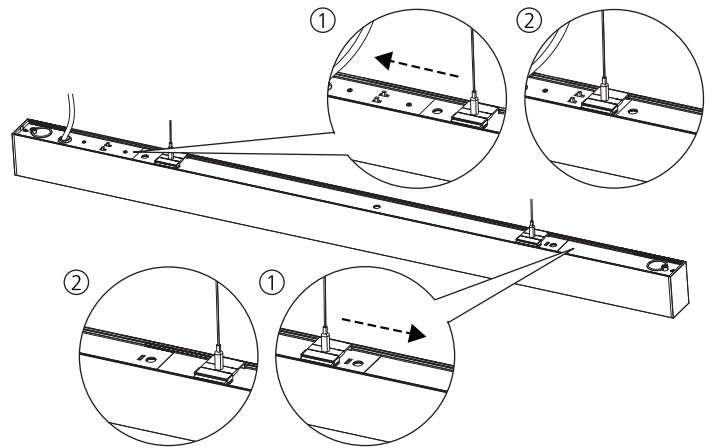


1 Wall mounting, Surface mounting



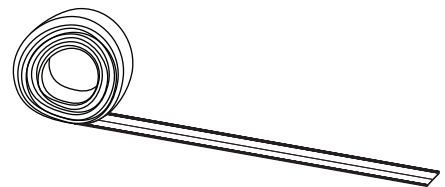
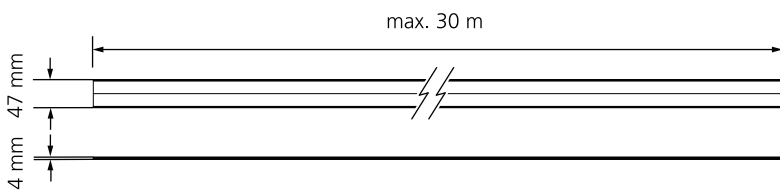


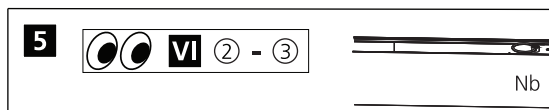
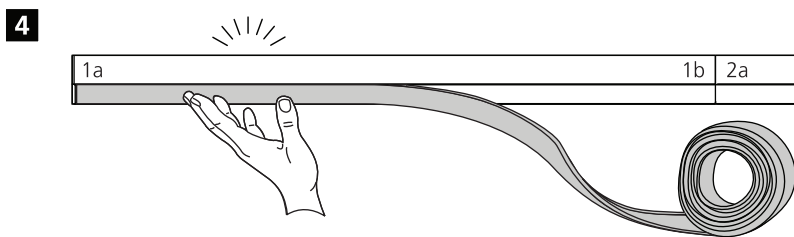
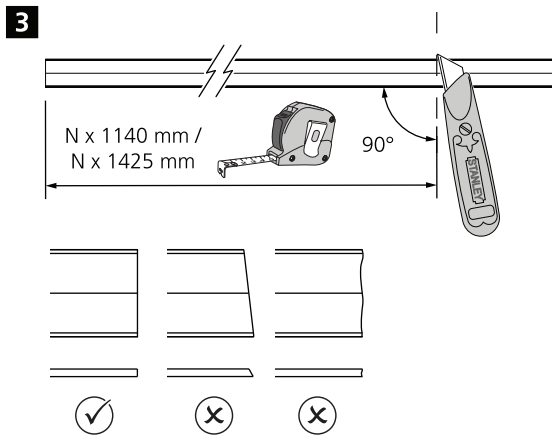
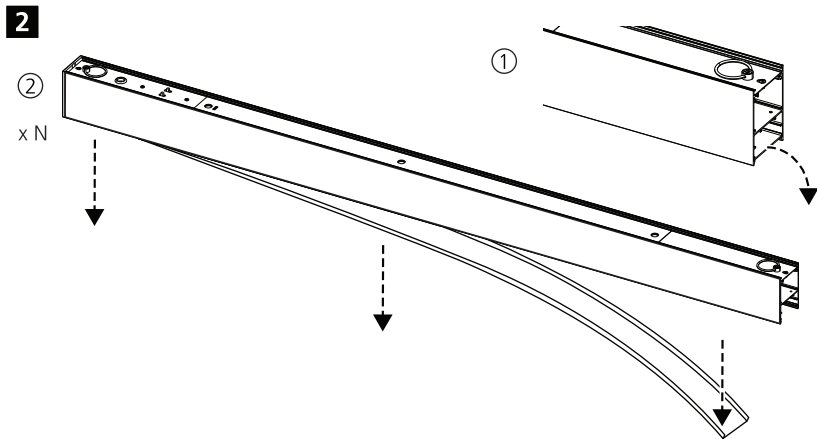
17 Suspended mounting, Uplight module



x1 0041821

Opal

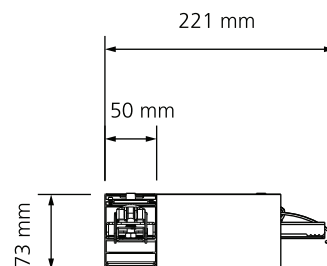
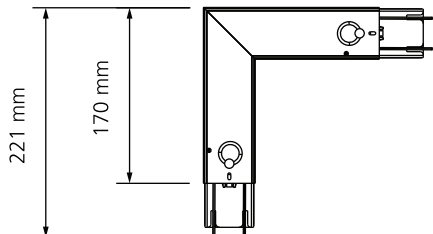
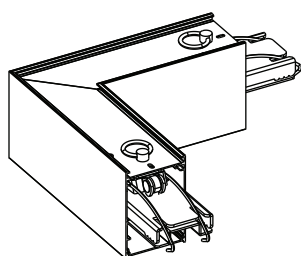




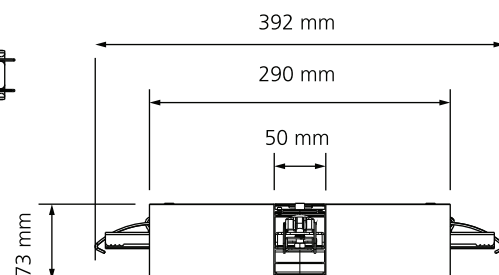
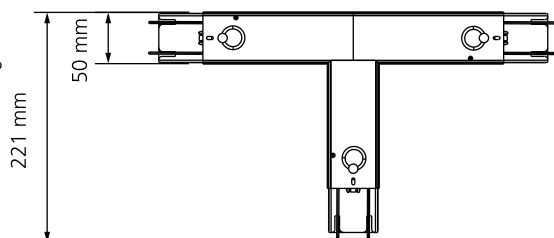
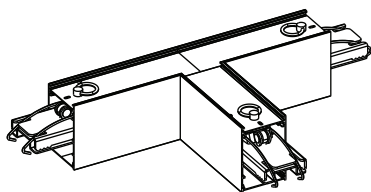
Continuous line - L/T/X connection

Luminaire optic	Connection unit						Cover	
Opal	0041809	0041810	0041811	0040809	0040810	0040811	Opal	✓
Prismatic	0041790	0041791	0041792	0040790	0040791	0041792	Prismatic	✓
Reflector	0041793	0041794	0041795	0040793	0040794	0040795	Steel	✓

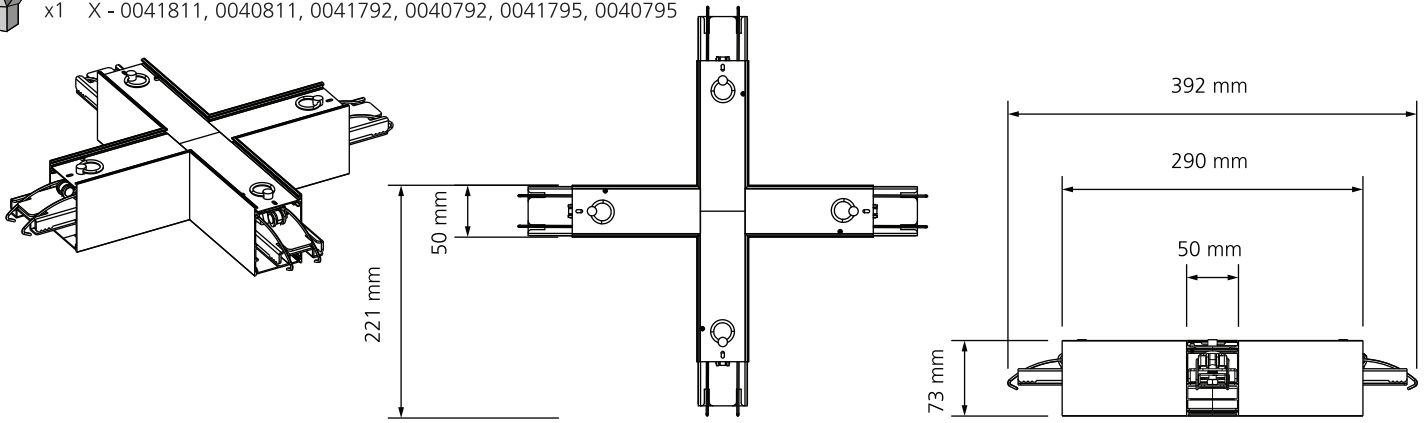
x1 L - 0041809, 0040809, 0041790, 0040790, 0041793, 0040793



x1 T - 0041810, 0040810, 0041791, 0040791, 0041794, 0040794

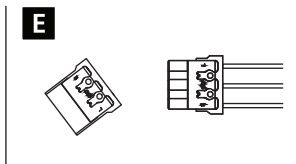
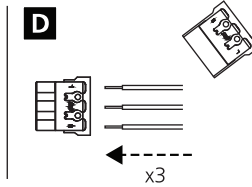
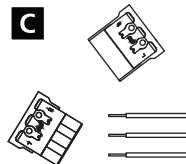
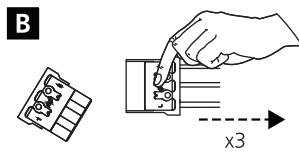
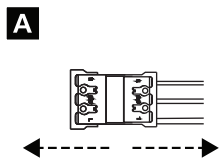
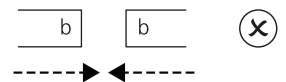
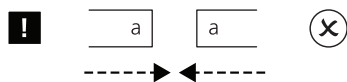
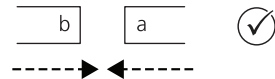


x1 X - 0041811, 0040811, 0041792, 0040792, 0041795, 0040795

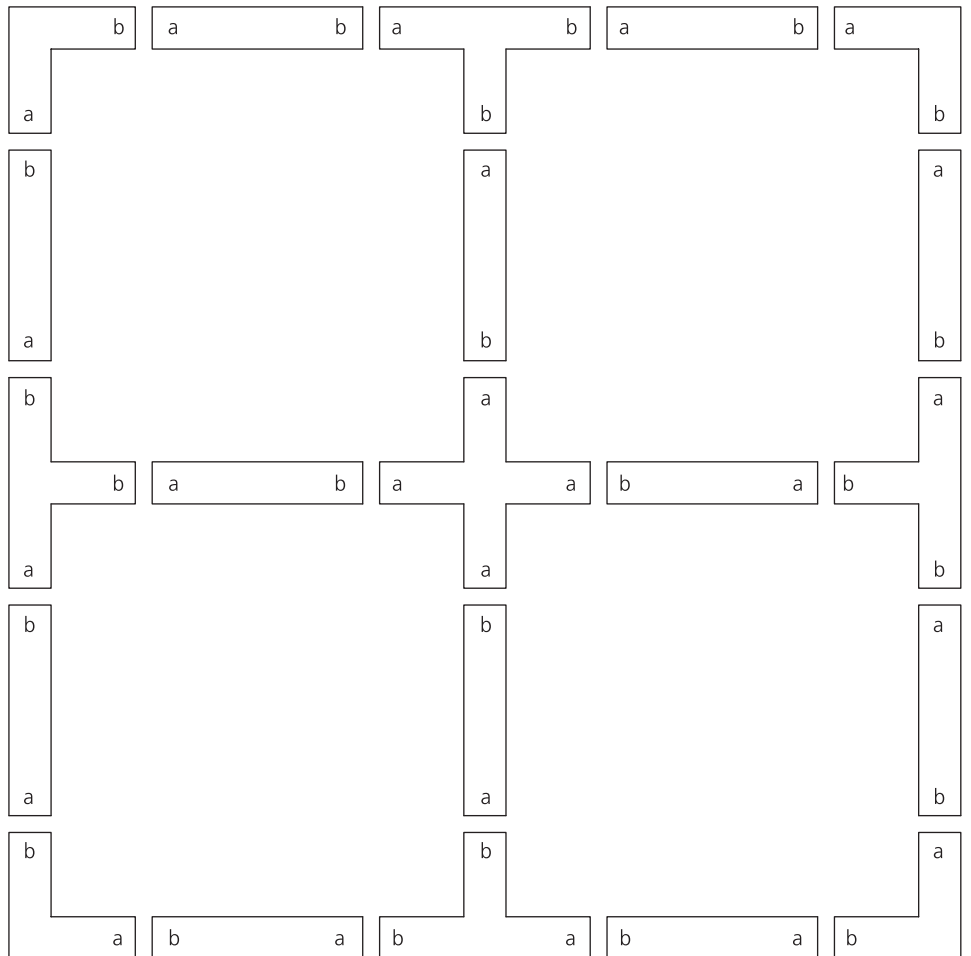
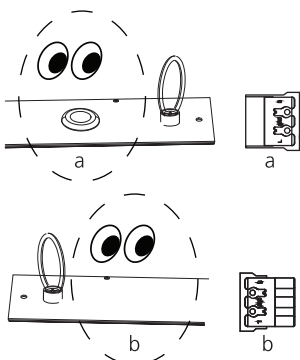


1 - 17 Continuous line **1 - 17**

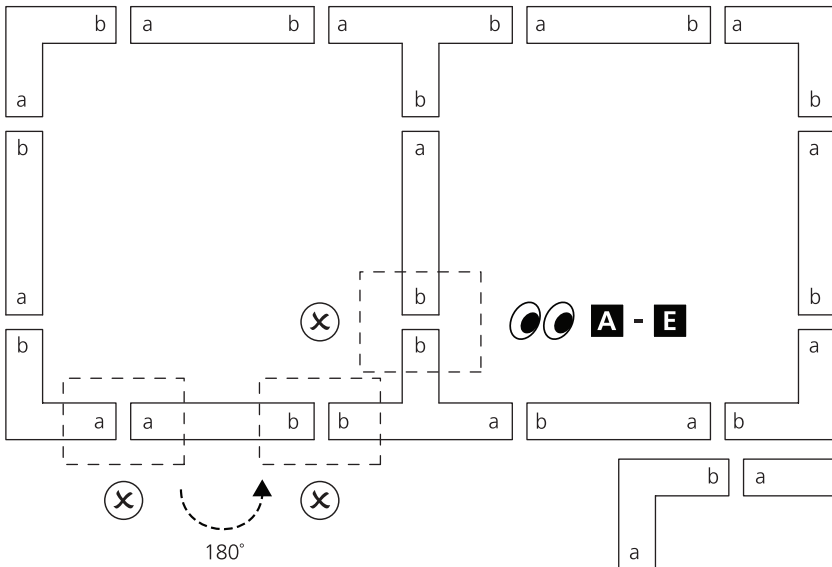
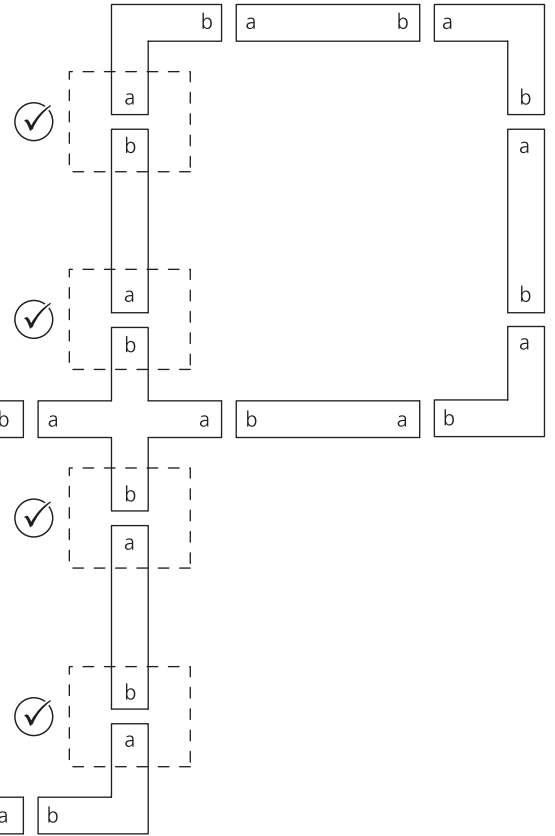
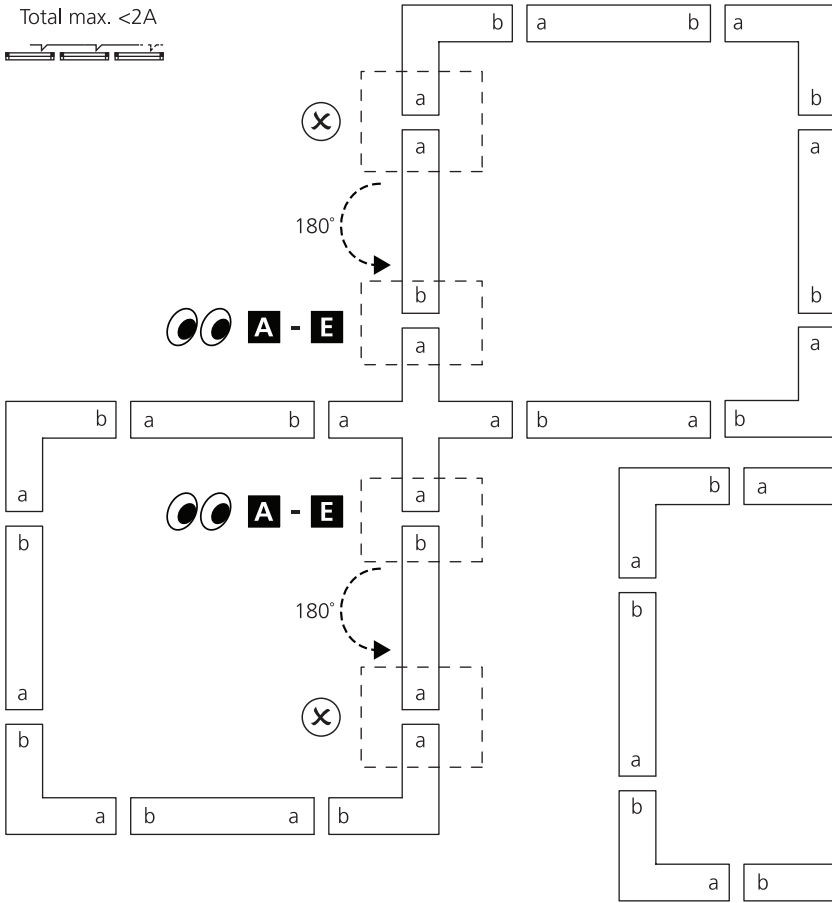
! Continuous line
1 - 15 ①, **A - E**, **15** ② - **17**



Total max. <2A



Total max. <2A



Total max. <2A

