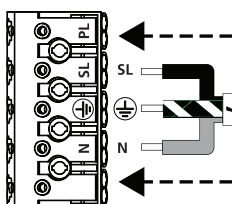
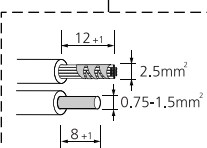
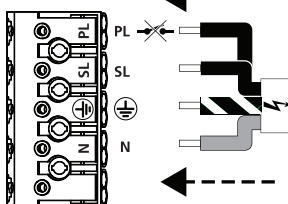


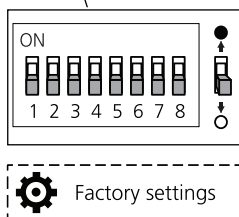
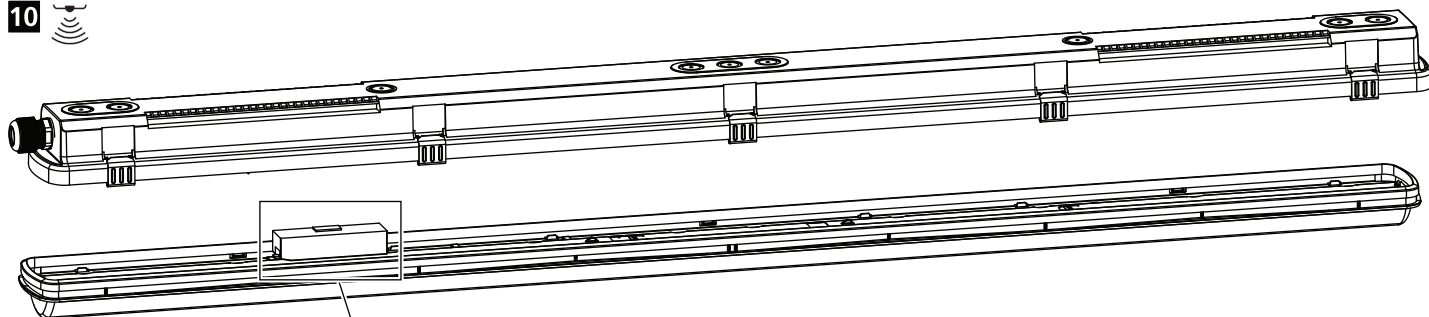
9a ⚡ 220-240V~



9b ⚡ 220-240V~+ ⚡

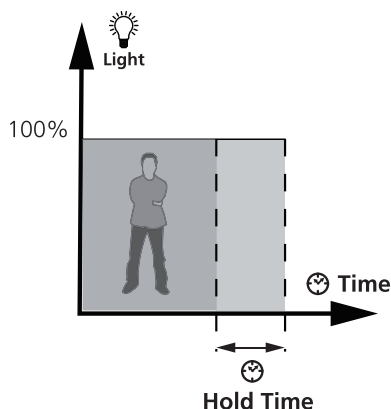
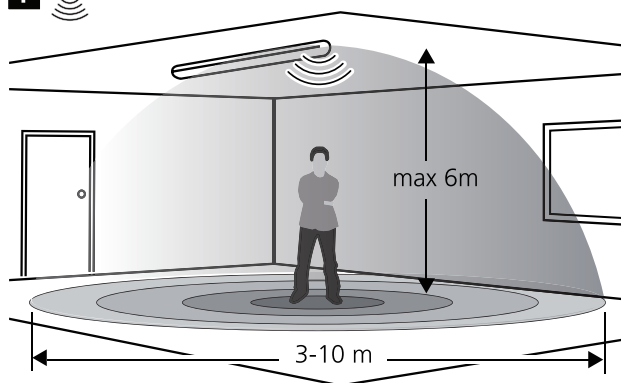


10 📶

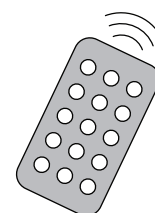


	Daylight Sensor			Hold Time			Detection Area				
	1	2	3	4	5	6	7	8			
I	●	●	●	2 Lux	●	●	●	5 sec	●	●	100% ⚙️
II	○	●	●	10 Lux	●	●	○	30 sec	●	○	75%
III	○	●	○	30 Lux	●	○	●	90 sec	○	●	50%
IV	○	○	●	50 Lux	●	○	○	5 min ⚙️	○	○	25%
V	○	○	○	Disable ⚙️	○	●	●	20 min	-	-	N/A
VI	-	-	-	-	○	○	○	30 min	-	-	N/A

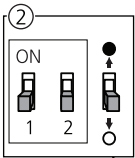
! 📶



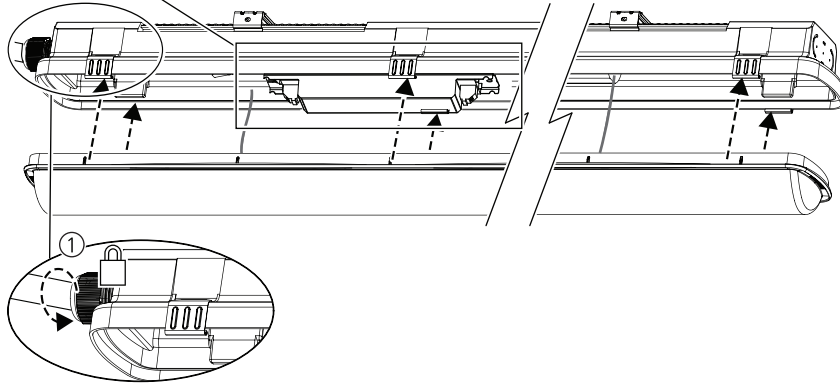
0010475



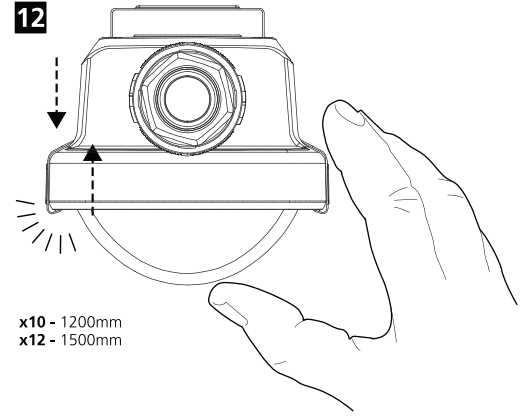
11



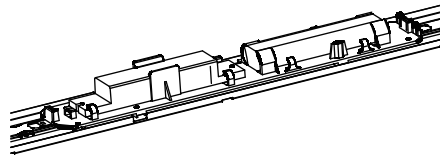
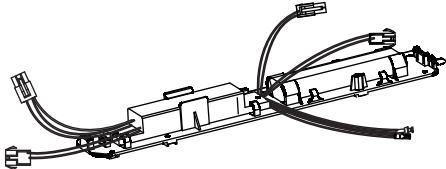
		1	2		0010459		0010460		0010461	
					lm	W	lm	W	lm	W
I	○	○		200mA	1750	10	3450	19	4350	24
II	○	●		250mA	2150	12	4350	24	5200	28
III	●	○		300mA	2600	15	5100	28	6300	35
IV	●	●		350mA	3060	17	6050	33.5	7600	42



12



0010467 Self Test EM kit
 0010468 DALI Self Test EM kit



0010470 5x2.5 Throughwiring kit 1200 mm
 0010471 5x2.5 Throughwiring kit 1500 mm
 0010472 2x2.5 Throughwiring kit 1200 mm
 0010473 2x2.5 Throughwiring kit 1500 mm

