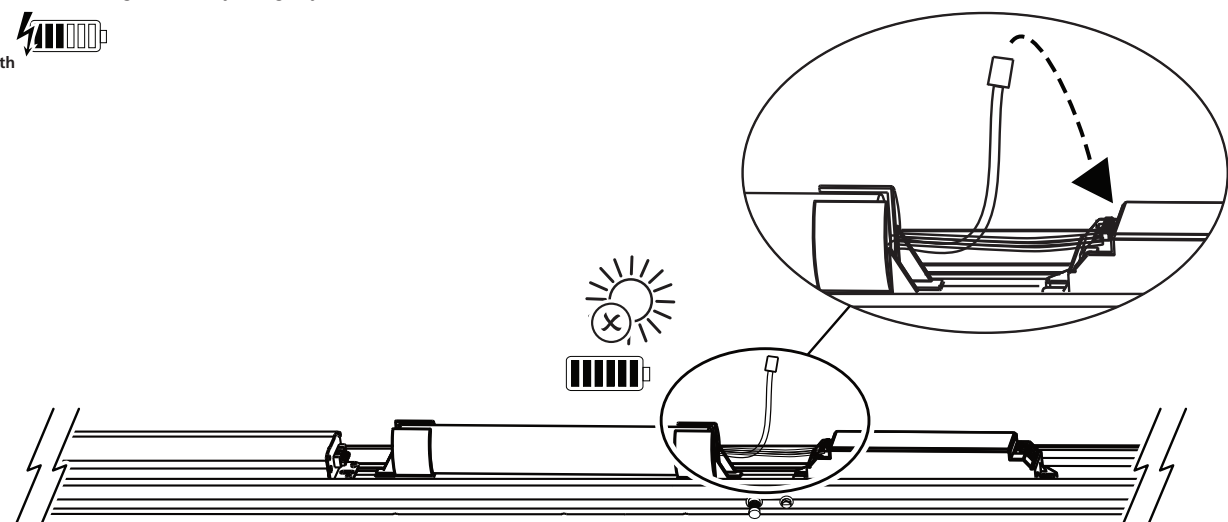
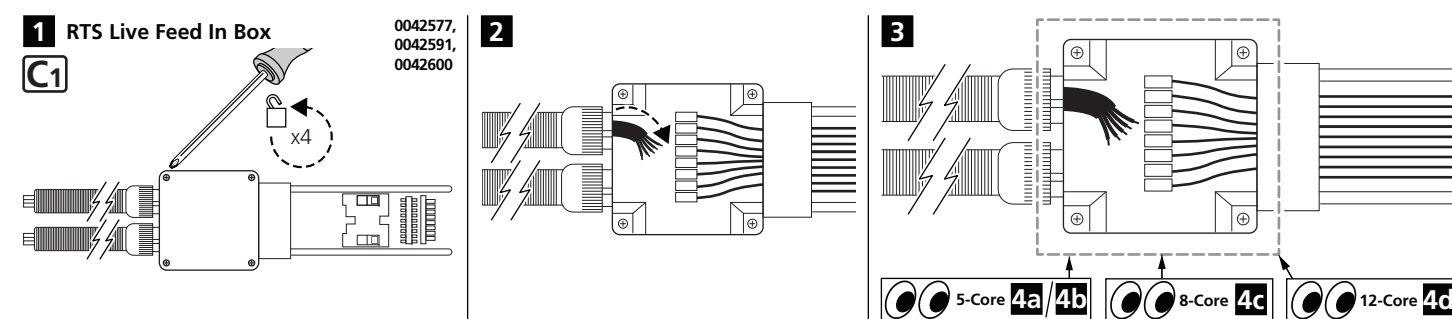
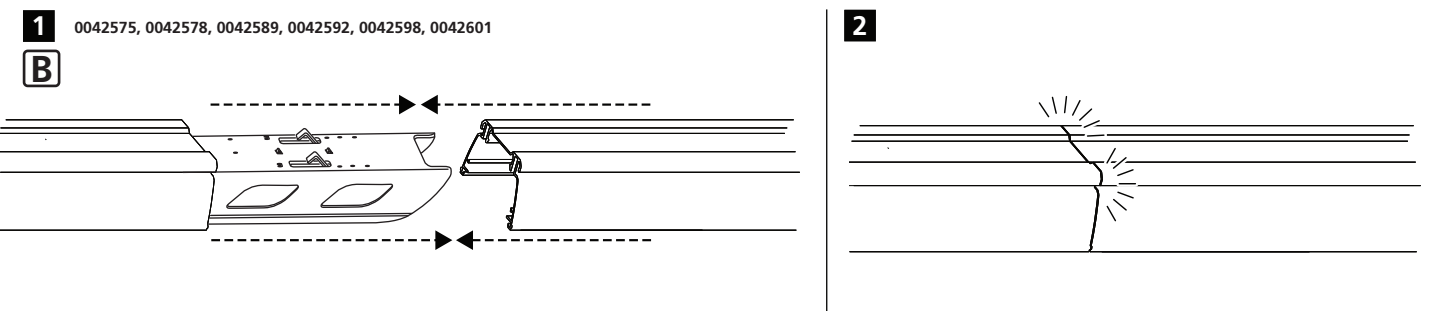
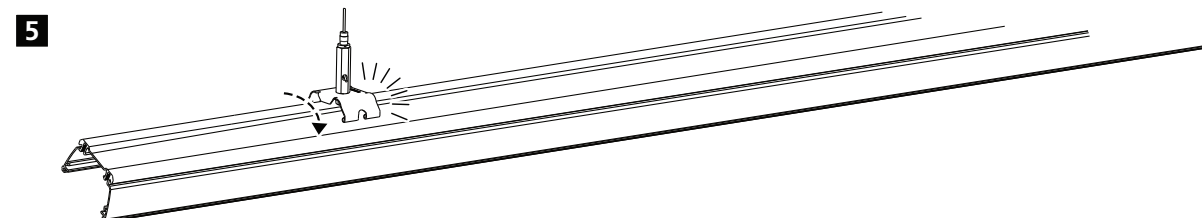
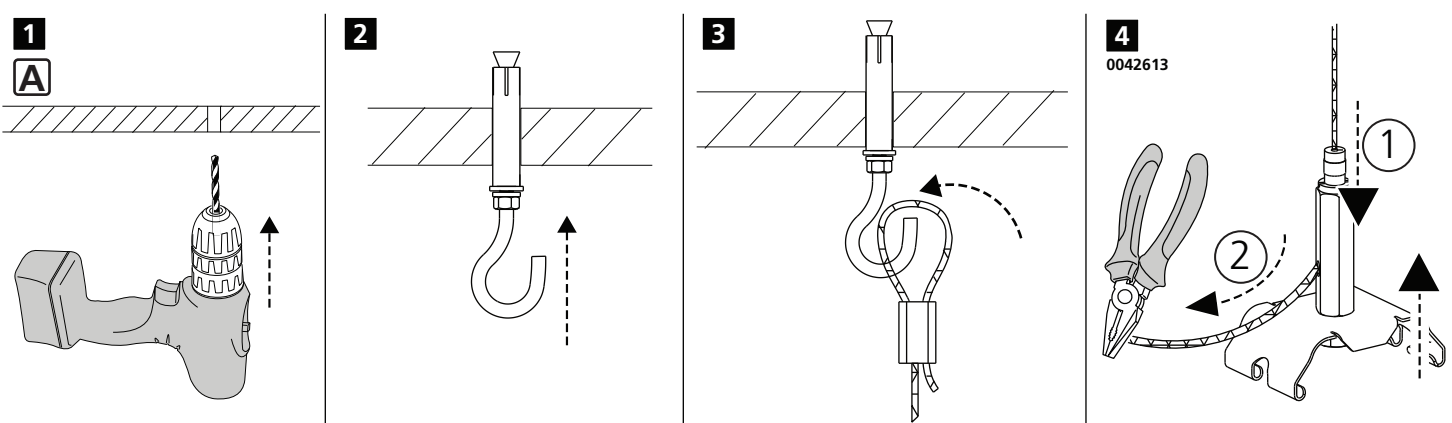
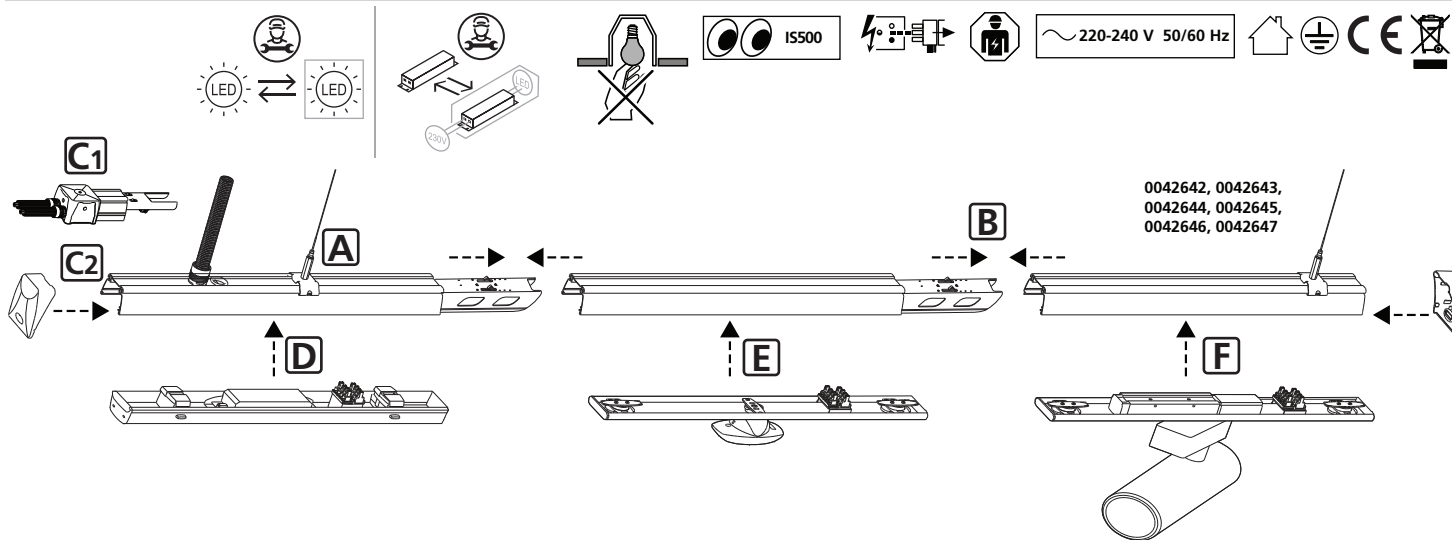
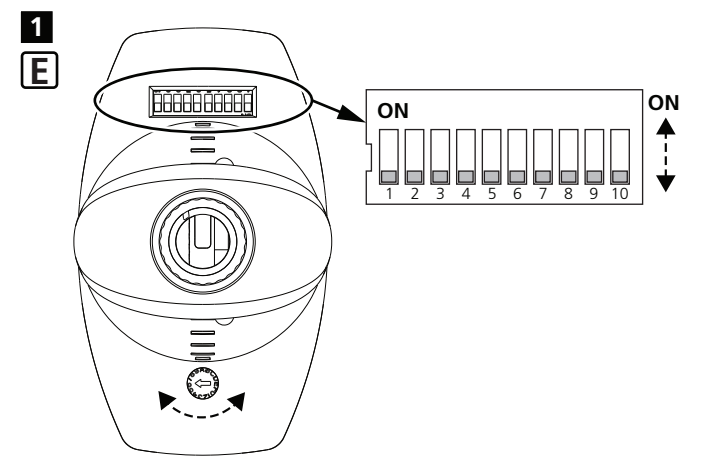
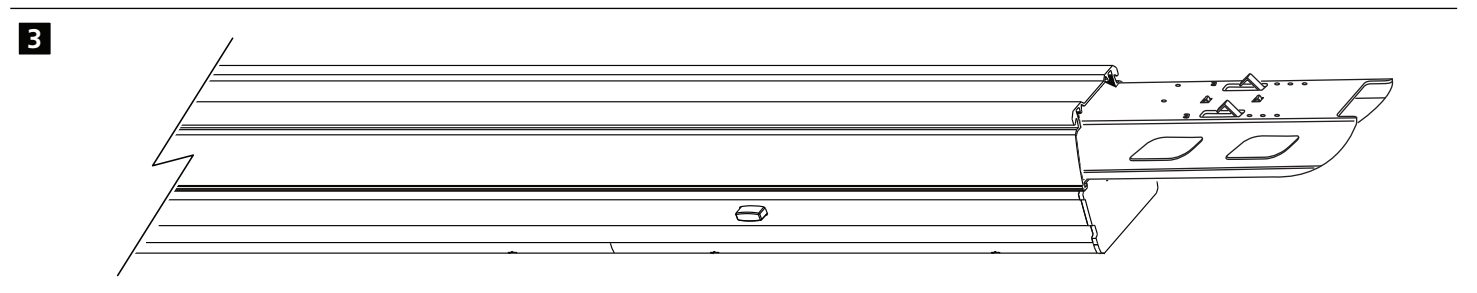
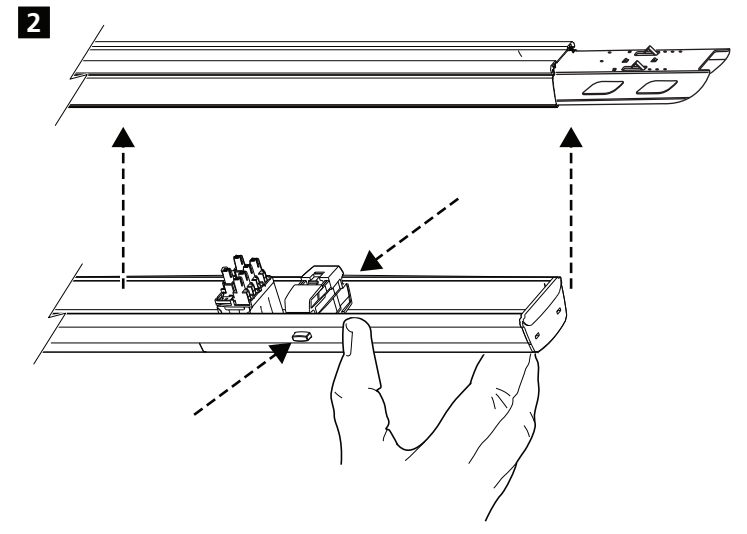
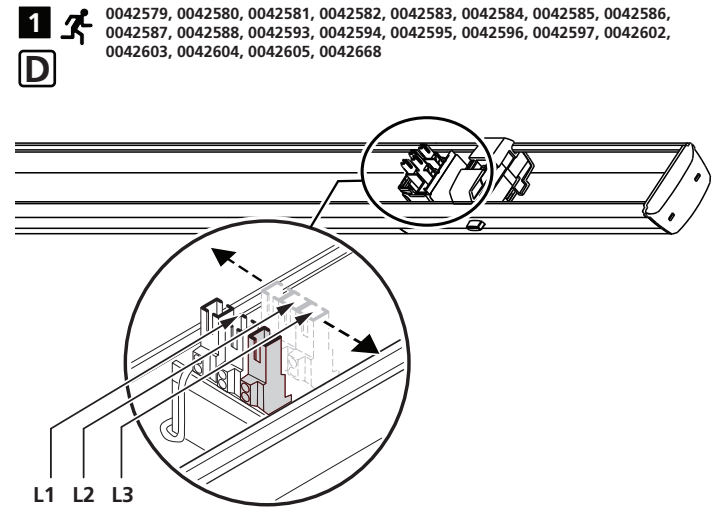
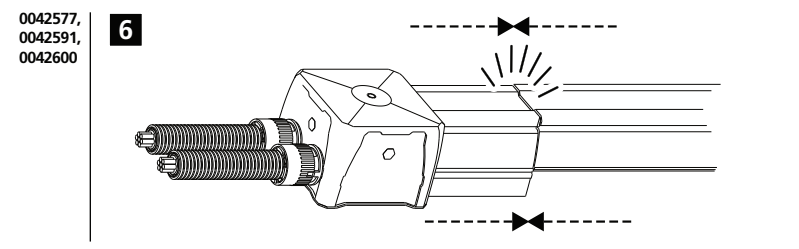
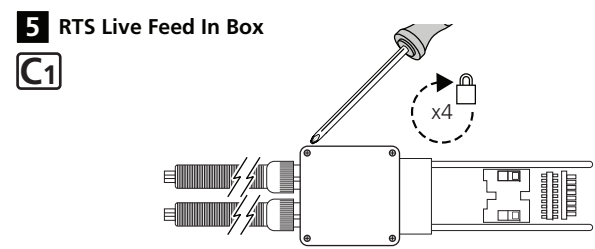
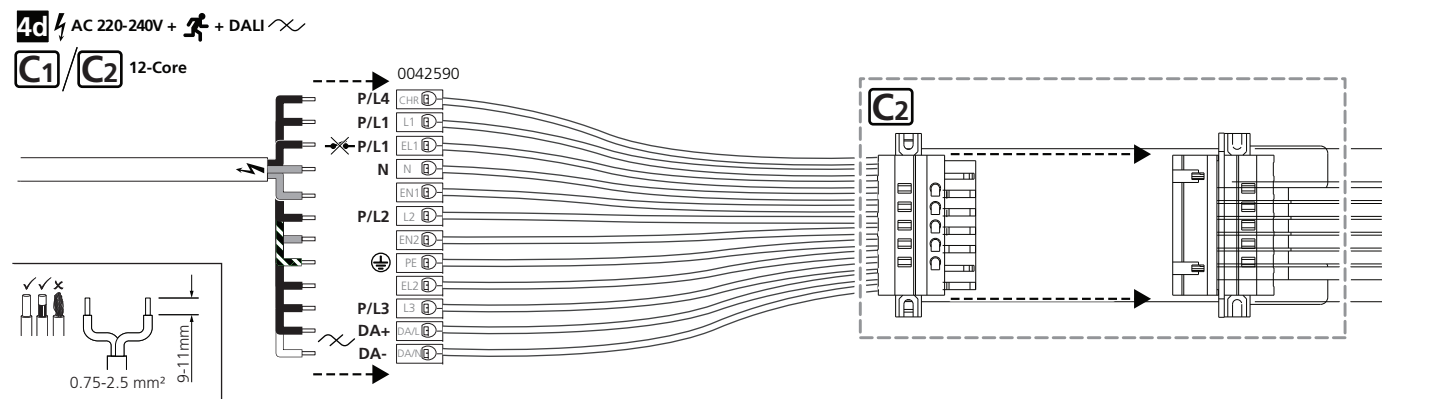
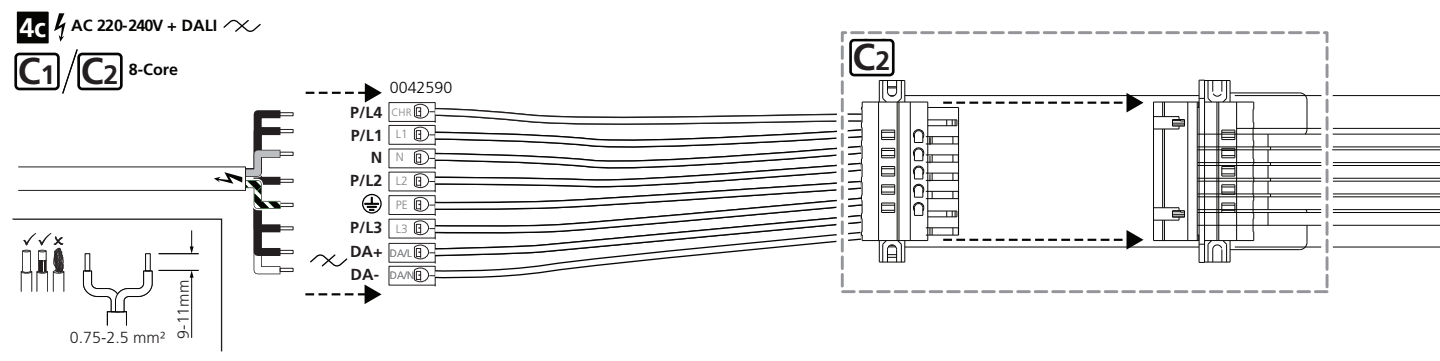
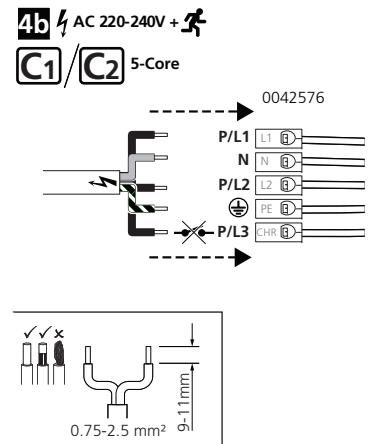
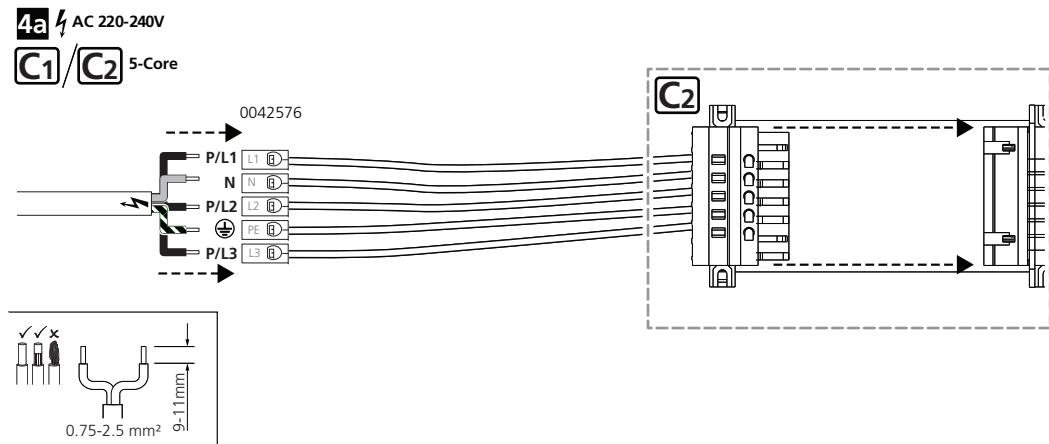
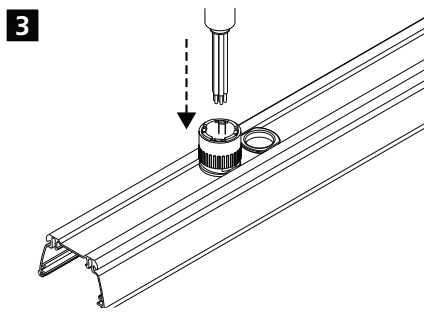
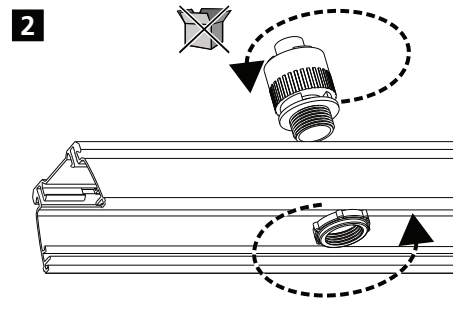
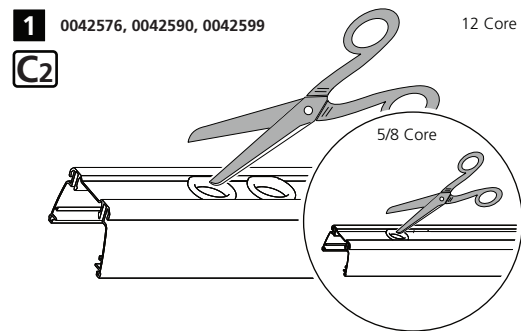


0042604 & 0042605 Integrated Battery Emergency



Rail & Trunk





Sensitivity	Hold time	Function	Stand-by time	Stand-by Dimming
I ○ 50%	2 ○ 5sec	4 ○ Motion	6 ○ 0s	9 ○ 5%
II ● 100%	3 ○ 1min	5 ○ Daylight	7 ○ 10s	10 ○ 10%
III ○	4 ○ 5min	6 ○ M + D	8 ○ 5min	11 ○ 20%
IV ●	5 ○ 10min	7 ○ Lux set	9 ○ 10min	12 ○ 50%
V ○			10 ○ 30min	
VI ○			11 ○ 1h	
VII ○			12 ○ +∞	

