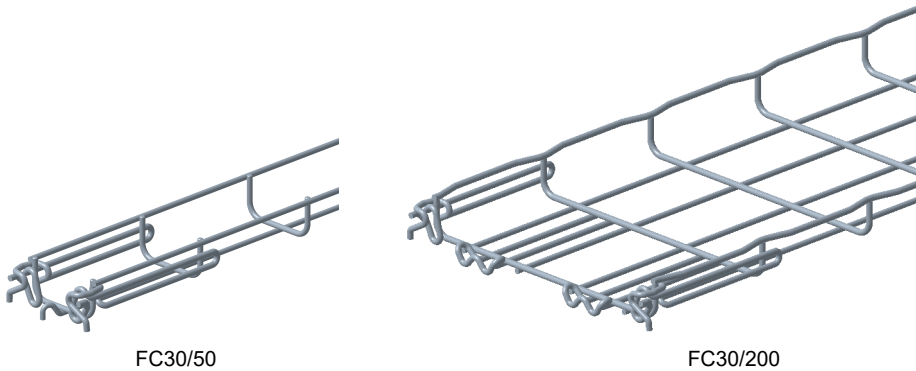


FC 30

Reference(s) : 200 011/021/031/041/051/801/811/831/851
200 016/026/036/046/056/806/816/836/856
200 018/028/038/048/058/808/818/858
200 014/024/034/044/054/804/814/854



| SOMMAIRE / SUMMARY | PAGES |
|--------------------------------------|-------|
| 1. Usage / Use | 1 |
| 2. Gamme / Range | 1 |
| 3. Dimensions | 1-2 |
| 4. Fixations / Fixing | 2 |
| 5. Installation | 3-6 |
| 6. Conformités / Conformities | 7 |
| 7. Contenance / Capacity | 7 |
| 8. Courbe de charge / Loading curves | 8 |

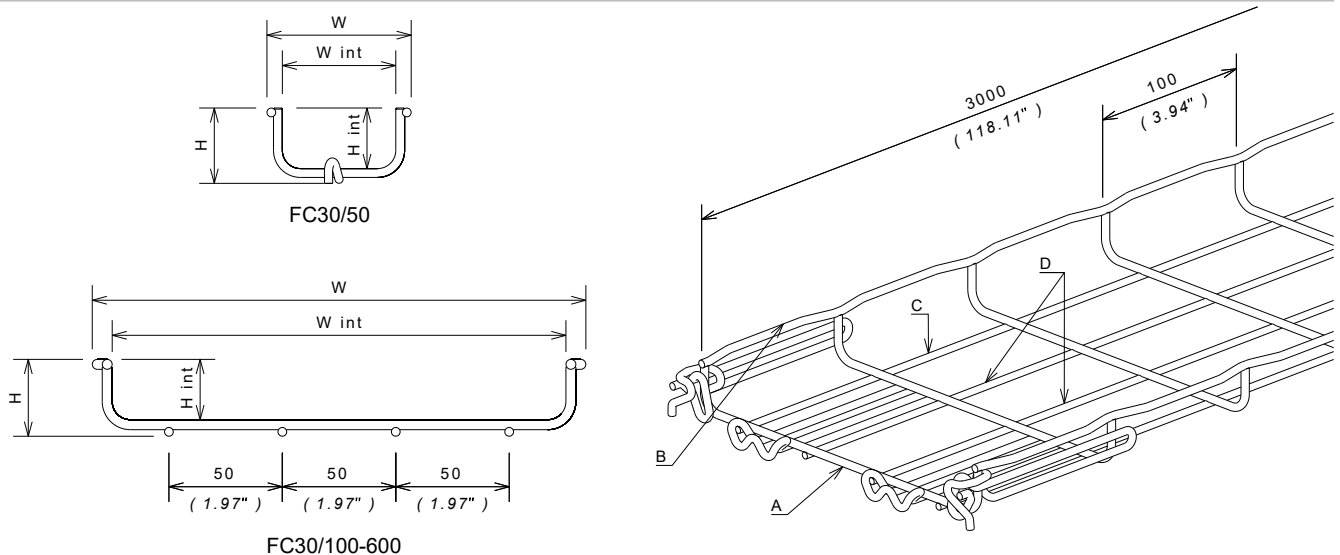
1. USAGE / USE

Chemin de câbles en fils d'acier soudés pré-éclissés/ Pre-coupled steel wire cable tray

2. GAMME / RANGE

| Designation | W int | | EZ | | | ZnAl-HR | | | IN304L / SS304L | | | IN316L / SS316L | | |
|-------------|-------|--------|---------|---------------------|--------|---------|---------------------|--------|-----------------|---------------------|--------|-----------------|---------------------|--------|
| | (mm) | (inch) | CODE | Poids / Weight (Kg) | (lb) | CODE | Poids / Weight (Kg) | (lb) | CODE | Poids / Weight (Kg) | (lb) | CODE | Poids / Weight (Kg) | (lb) |
| FC30/50 | 50 | 1.97 | 200 011 | 1.132 | 2.495 | 200 016 | 1.132 | 2.495 | 200 018 | 1.167 | 2.572 | 200 014 | 1.167 | 2.572 |
| FC30/100 | 100 | 3.94 | 200 021 | 1600 | 3.527 | 200 026 | 1600 | 3.527 | 200 028 | 1.586 | 3.496 | 200 024 | 1.586 | 3.496 |
| FC30/150 | 150 | 5.91 | 200 031 | 2.039 | 4.495 | 200 036 | 2.039 | 4.495 | 200 038 | 2.021 | 4.455 | 200 034 | 2.021 | 4.455 |
| FC30/200 | 200 | 7.87 | 200 041 | 2.839 | 6.258 | 200 046 | 2.839 | 6.258 | 200 048 | 2.812 | 6.199 | 200 044 | 2.812 | 6.199 |
| FC30/300 | 300 | 11.81 | 200 051 | 4.393 | 9.684 | 200 056 | 4.393 | 9.684 | 200 058 | 4.177 | 9.208 | 200 054 | 4.177 | 9.208 |
| FC30/400 | 400 | 15.75 | 200 801 | 6.851 | 15.103 | 200 806 | 6.851 | 15.103 | 200 808 | 6.266 | 13.814 | 200 804 | 6.266 | 13.814 |
| FC30/450 | 450 | 17.72 | 200 831 | 7.331 | 16.162 | 200 836 | 7.331 | 16.162 | - | - | - | - | - | |
| FC30/500 | 500 | 16.69 | 200 811 | 7.810 | 17.218 | 200 816 | 7.810 | 17.218 | 200 818 | 7.217 | 15.910 | 200 814 | 7.217 | 15.910 |
| FC30/600 | 600 | 23.62 | 200 851 | 8.770 | 19.334 | 200 856 | 8.770 | 19.334 | 200 858 | 8.168 | 18.007 | 200 854 | 8.168 | 18.007 |

3. DIMENSIONS (mm/inch)



■ 3.1 Finition / Material finish : EZ / HR

| Designation | Capacité / Capacity (mm²) | A (∅) | | B (∅) | | C (∅) | | D (∅) | | W int | | W | | H int | | H | |
|-------------|---------------------------|-------|--------|-------|--------|-------|--------|-------|--------|-------|--------|-------|--------|-------|--------|------|--------|
| | | (mm) | (inch) | (mm) | (inch) | (mm) | (inch) | (mm) | (inch) | (mm) | (inch) | (mm) | (inch) | (mm) | (inch) | (mm) | (inch) |
| FC30/50 | 1 308 | 3.9 | 0.15 | 3.9 | 0.15 | - | - | 3.9 | 0.15 | 50.0 | 1.97 | 63.6 | 2.50 | 26.7 | 1.05 | 33.5 | 1.32 |
| FC30/100 | 2 643 | 3.9 | 0.15 | 3.9 | 0.15 | 3.9 | 0.15 | - | - | 100.0 | 3.94 | 115.6 | 4.55 | 26.7 | 1.05 | 33.5 | 1.32 |
| FC30/150 | 3 978 | 3.9 | 0.15 | 3.9 | 0.15 | 3.9 | 0.15 | - | - | 150.0 | 5.91 | 165.6 | 6.52 | 26.7 | 1.05 | 33.5 | 1.32 |
| FC30/200 | 5 293 | 4.4 | 0.17 | 4.4 | 0.17 | 3.9 | 0.15 | - | - | 200.0 | 7.87 | 217.6 | 8.57 | 26.6 | 1.05 | 33.9 | 1.33 |
| FC30/300 | 7 953 | 4.4 | 0.17 | 5.9 | 0.23 | 3.9 | 0.15 | 3.9 | 0.15 | 300.0 | 11.81 | 322.1 | 12.68 | 26.6 | 1.05 | 33.9 | 1.33 |
| FC30/400 | 10 613 | 4.4 | 0.17 | 5.9 | 0.23 | 5.9 | 0.23 | 3.9 | 0.15 | 400.0 | 15.75 | 422.1 | 16.62 | 26.6 | 1.05 | 36.0 | 1.42 |
| FC30/450 | 11 943 | 4.4 | 0.17 | 5.9 | 0.23 | 5.9 | 0.23 | 3.9 | 0.15 | 450.0 | 17.72 | 472.1 | 18.59 | 26.6 | 1.05 | 36.0 | 1.42 |
| FC30/500 | 13 273 | 4.4 | 0.17 | 5.9 | 0.23 | 5.9 | 0.23 | 3.9 | 0.15 | 500.0 | 19.69 | 522.1 | 20.56 | 26.6 | 1.05 | 36.0 | 1.42 |
| FC30/600 | 15 933 | 4.4 | 0.17 | 5.9 | 0.23 | 5.9 | 0.23 | 3.9 | 0.15 | 600.0 | 23.62 | 622.1 | 24.49 | 26.6 | 1.05 | 36.0 | 1.42 |

■ 3.2 Finition / material finish : IN316L / SS316L



| Designation | Capacité / Capacity (mm²) | A (∅) | | B (∅) | | C (∅) | | D (∅) | | W int | | W | | H int | | H | |
|-------------|---------------------------|-------|--------|-------|--------|-------|--------|-------|--------|-------|--------|-------|--------|-------|--------|------|--------|
| | | (mm) | (inch) | (mm) | (inch) | (mm) | (inch) | (mm) | (inch) | (mm) | (inch) | (mm) | (inch) | (mm) | (inch) | (mm) | (inch) |
| FC30/50 | 1 308 | 3.9 | 0.15 | 3.9 | 0.15 | - | - | 3.9 | 0.15 | 50.0 | 1.97 | 64.0 | 2.52 | 26.7 | 1.05 | 33.7 | 1.33 |
| FC30/100 | 2 643 | 3.9 | 0.15 | 3.9 | 0.15 | 3.9 | 0.15 | - | - | 100.0 | 3.94 | 115.6 | 4.55 | 26.7 | 1.05 | 33.7 | 1.33 |
| FC30/150 | 3 978 | 3.9 | 0.15 | 3.9 | 0.15 | 3.9 | 0.15 | - | - | 150.0 | 5.91 | 165.6 | 6.52 | 26.7 | 1.05 | 33.7 | 1.33 |
| FC30/200 | 5 293 | 4.4 | 0.17 | 4.4 | 0.17 | 3.9 | 0.15 | - | - | 200.0 | 7.87 | 215.4 | 8.48 | 26.6 | 1.05 | 33.9 | 1.33 |
| FC30/300 | 7 953 | 4.4 | 0.17 | 5.5 | 0.22 | 3.9 | 0.15 | 3.9 | 0.15 | 300.0 | 11.81 | 320.9 | 12.63 | 26.6 | 1.05 | 33.9 | 1.33 |
| FC30/400 | 10 613 | 4.4 | 0.17 | 5.5 | 0.22 | 5.5 | 0.22 | 3.9 | 0.15 | 400.0 | 15.75 | 420.9 | 16.57 | 26.6 | 1.05 | 35.6 | 1.40 |
| FC30/500 | 13 273 | 4.4 | 0.17 | 5.5 | 0.22 | 5.5 | 0.22 | 3.9 | 0.15 | 500.0 | 19.69 | 520.9 | 20.51 | 26.6 | 1.05 | 35.6 | 1.40 |
| FC30/600 | 15 933 | 4.4 | 0.17 | 5.5 | 0.22 | 5.5 | 0.22 | 3.9 | 0.15 | 600.0 | 23.62 | 620.9 | 24.44 | 26.6 | 1.05 | 35.6 | 1.40 |

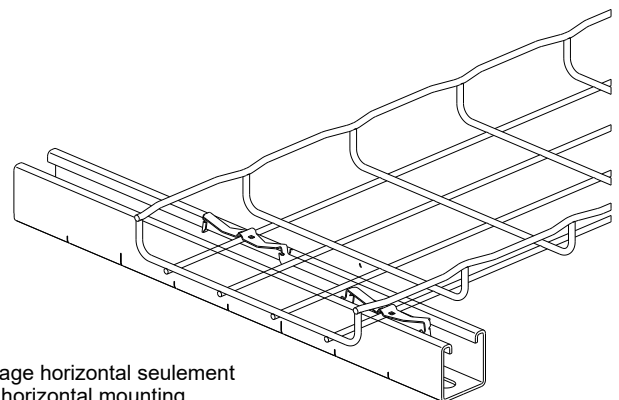
4. FIXATION (non incluse) / FIXING (not included)

■ 4.1 VIS / SCREW

- 1 point de fixation minimum jusqu'a la largeur 200 mm incluse / 1 minimum fixing point untill width 200 mm included
- 2 points de fixation minimum à partir de la largeur 300 / 2 minimum fixing points from width 300 mm

■ 4.2 FS41

| | | |
|---|-----------|-----------|
|  | 100 → 300 | 400 → 600 |
|  | x2 mini | x3 mini |



Montage horizontal seulement
 Only horizontal mounting

5. INSTALLATION



FC30/600



FC30/500



FC30/450



FC30/400



FC30/300



FC30/200



FC30/150

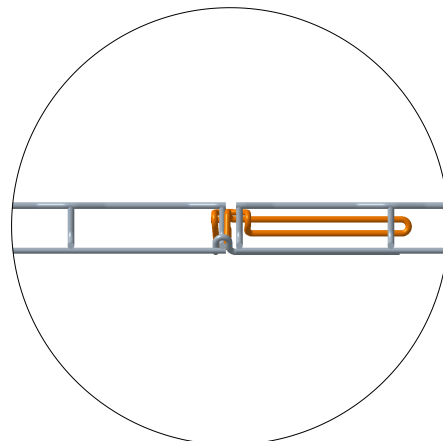
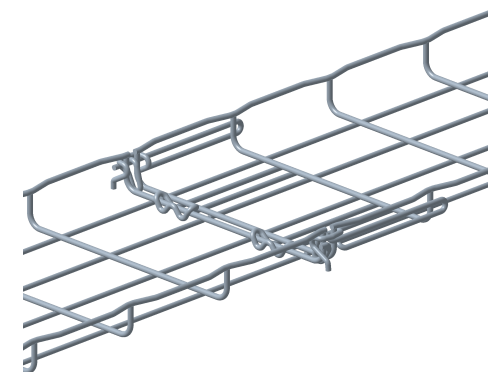
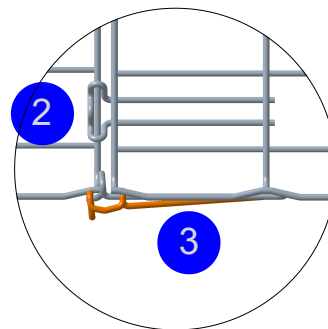
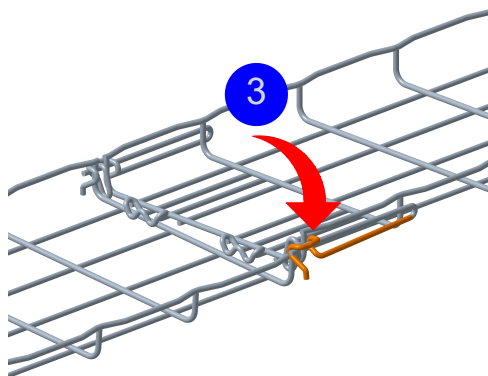
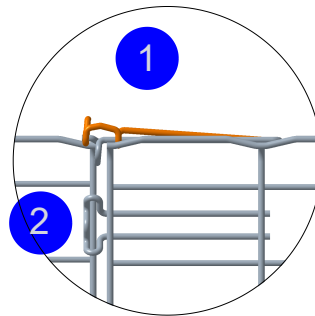
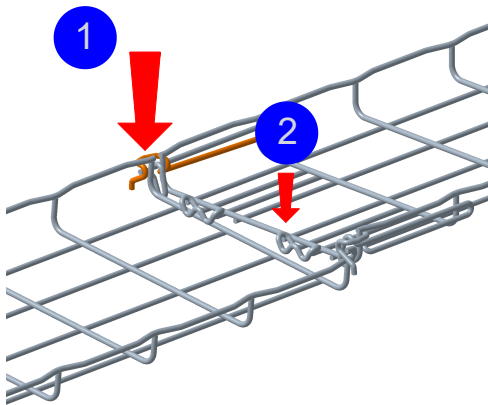
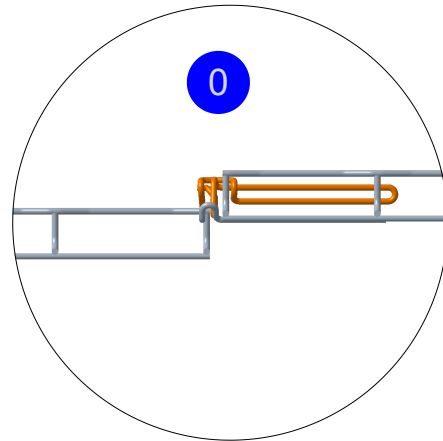
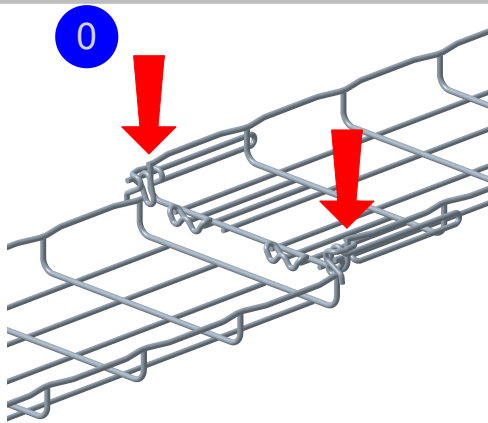


FC30/100

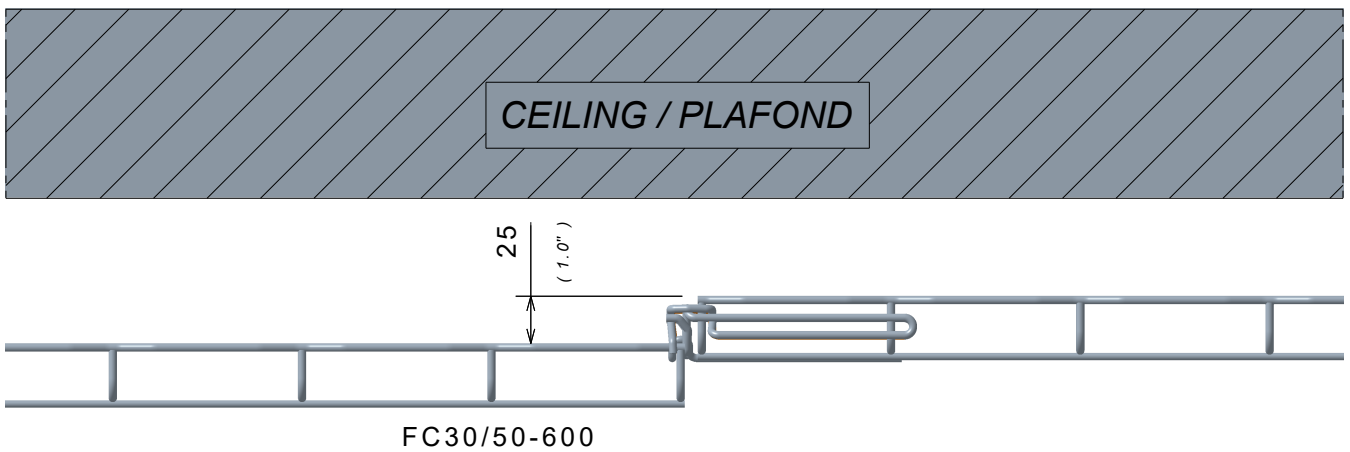
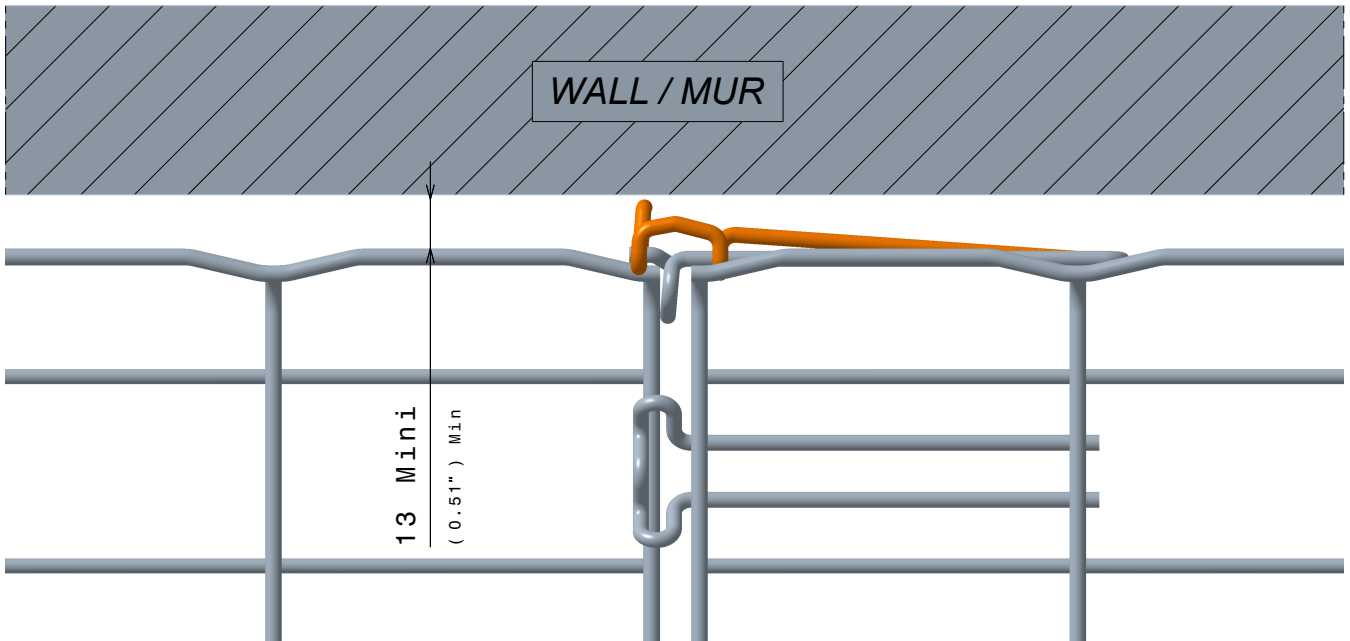


FC30/50

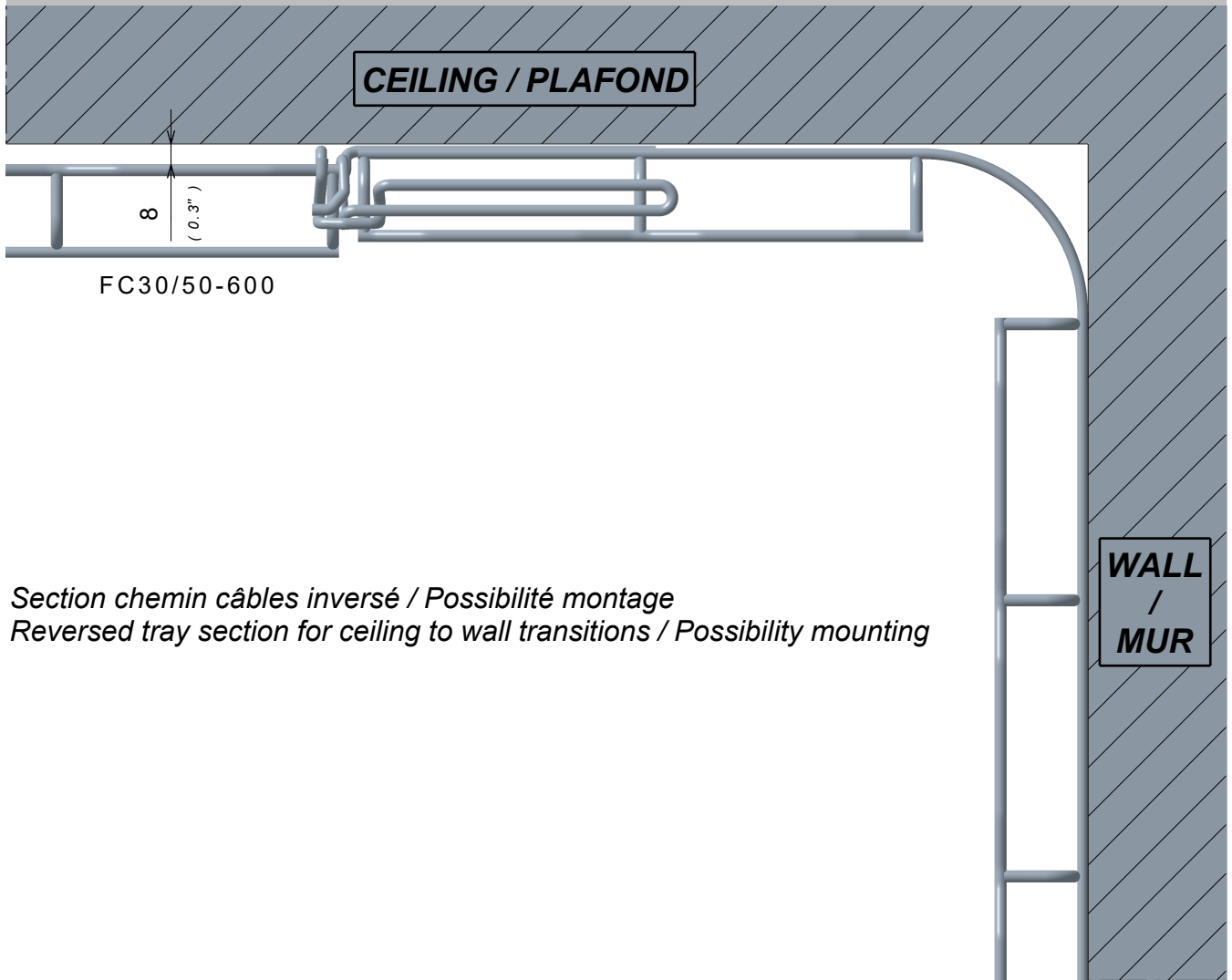
5. INSTALLATION (suite / cont.)



5. INSTALLATION (suite / cont.)



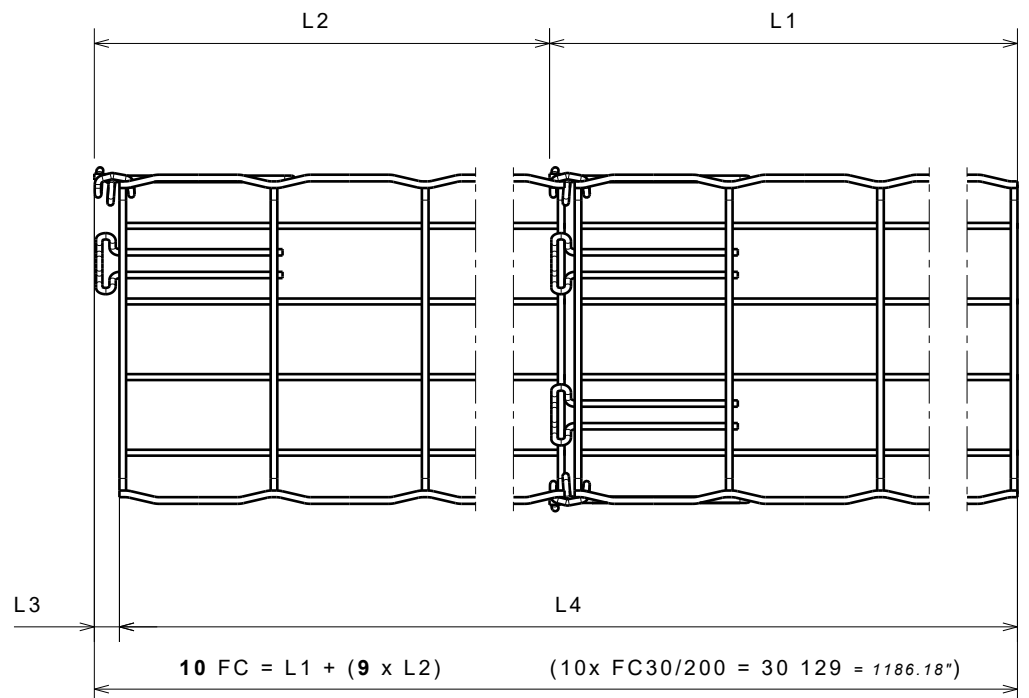
5. INSTALLATION (suite / cont.)



FC30/50-600

Section chemin câbles inversé / Possibilité montage
 Reversed tray section for ceiling to wall transitions / Possibility mounting

| | 50 -> 600mm | |
|----|-------------|--------|
| | (mm) | (inch) |
| L1 | 3021 | 118.9" |
| L2 | 3012 | 118.6" |
| L3 | 17 | 0.67" |
| L4 | 6016 | 236.8" |



6. CONFORMITES / CONFORMITIES

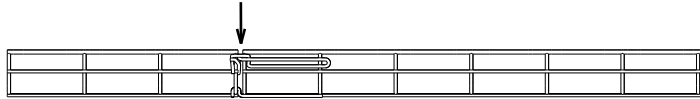
■ 6.1 Continuité électrique chemin de câbles / Cable tray electrical continuity

- Suivant CEI61537 / following IEC 61537

Conforme à CEI 61537-Système de chemin de câbles
Comply with IEC 61537-Cable tray systems

- Chemin de câbles éclissé / coupled cable tray
EZ/HR <5mΩ/m
304L/316L <10mΩ/m

- Chemin de câble éclissé chargé / coupled cable tray joint load
EZ/HR <1mΩ/m
304L/316L <5mΩ/m



■ 6.2 Caractéristiques matières / Material characteristics

| Finition / Coating | Classe de résistance contre la corrosion / Resistance class against corrosion | Matière / Material | Norme matière / material Standard |
|--------------------|--|---------------------|--------------------------------------|
| EZ | Classe 3 - CEI 61537 / Class 3 - IEC 61537 | C9D | EN ISO 16120-2 |
| HR (ZnAl) | Classe 8 - CEI 61537 / Class 8 - IEC 61537 | C9D | EN ISO 16120-2 |
| IN304L / SS304L | Classe 9C - CEI 61537 / Class 9C - IEC 61537 | X2 Cr Ni 18-9 | EN 10 088-3 |
| IN316L / SS316L | Classe 9D - CEI 61537 / Class 9D - IEC 61537 | X2 Cr Ni Mo 17-12-2 | EN 10 088-3 |

■ 6.3 Caractéristiques climatiques / climatic characteristics

Température de stockage et d'utilisation / storage and operating temperature : - 20° C à + 120° C

7. CONTENANCE / CAPACITY

Contenance en DaN/m = Poids indicatif des câbles lors d'un remplissage à 100% du Chemin de câbles
Capacity in DaN / m = Indicative weight of the cables when the cable tray is 100% filled

| | CONTENANCE maximum / Maximum CAPACITY (DaN/m) | |
|----------|---|----------------------------|
| | d=0.15 (VDI / DATA) | d=0.25 (Puissance / Power) |
| FC30/50 | 2.1 | 3.5 |
| FC30/100 | 4.2 | 7 |
| FC30/150 | 6.3 | 10.5 |
| FC30/200 | 8.4 | 14 |
| FC30/300 | 12.6 | 21 |
| FC30/400 | 16.8 | 28 |
| FC30/450 | 18.9 | 31.5 |
| FC30/500 | 21 | 35 |
| FC30/600 | 25.2 | 42 |

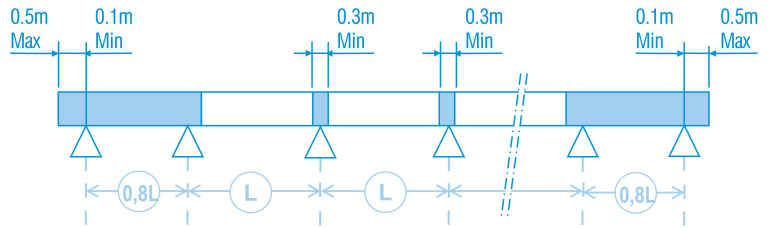
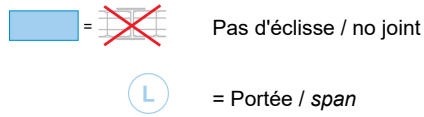
d = densité des câbles / cable density (kg/m/cm²)

1 kgf = 0,98 daN ≈ 1 daN

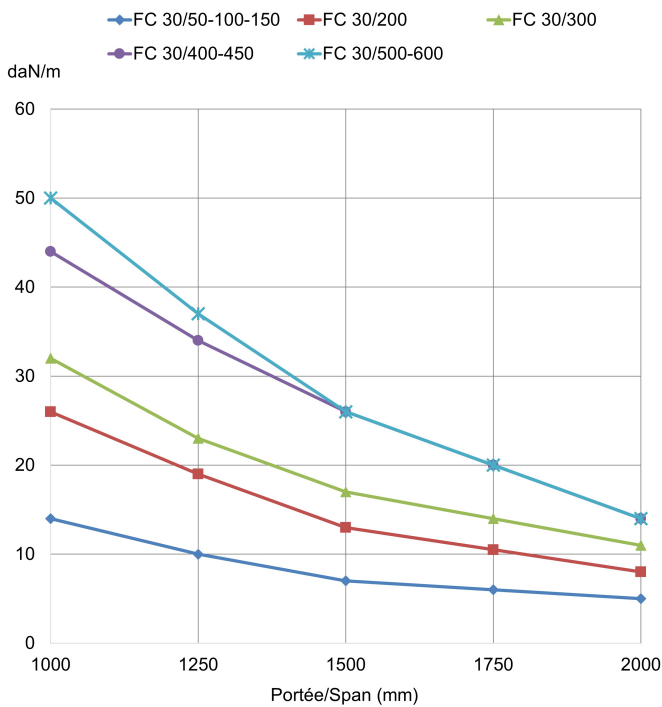
8. COURBE DE CHARGE / LOADING CURVES

■ 8.1 Essais sous CPS (Charge Pratique de Sécurité) / Test for SWL (Safe Working Load) :

"Type II / CEI"



EZ - HR



Porté maximum en mm lors d'un remplissage à 100% du Chemin de câbles / Maximum span in mm when the cable tray is 100% filled

| | Porté maximum / maximum span (mm) | |
|-----------|-----------------------------------|----------------------------|
| | d=0.15 (VDI / DATA) | d=0.25 (Puissance / Power) |
| FC 30/50 | 2300 | 2300 |
| FC 30/100 | 2100 | 1500 |
| FC 30/150 | 1650 | 1200 |
| FC 30/200 | 1950 | 1450 |
| FC 30/300 | 1875 | 1350 |
| FC 30/400 | 1875 | 1400 |
| FC 30/450 | 1800 | 1350 |
| FC 30/500 | 1725 | 1300 |
| FC 30/600 | 1515 | 1150 |