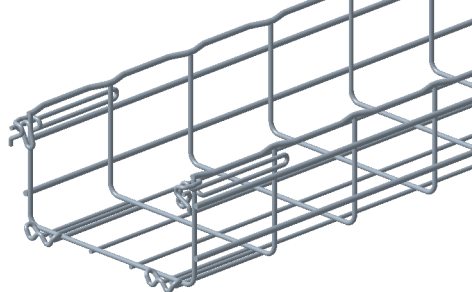
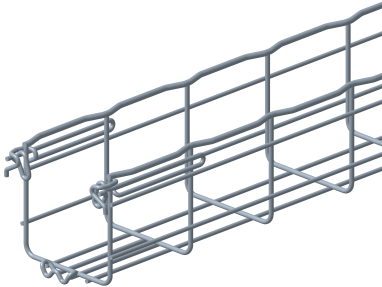


FC 105

Reference(s) : 200 891/894/896/898/901/904/906/908
200 911/914/916/918/921/924/926/928
200 931/934/936/938/941/944/946/948
201 031/931/034/934/036/936/038/938



SOMMAIRE / SUMMARY	PAGES
1. Usage / Use	1
2. Gamme / Range	1
3. Dimensions	1-2
4. Fixations / Fixing	2
5. Installation	3-6
6. Conformités / Conformities	7
7. Contenance / Capacity	7
8. Courbe de charge / Loading curves	8

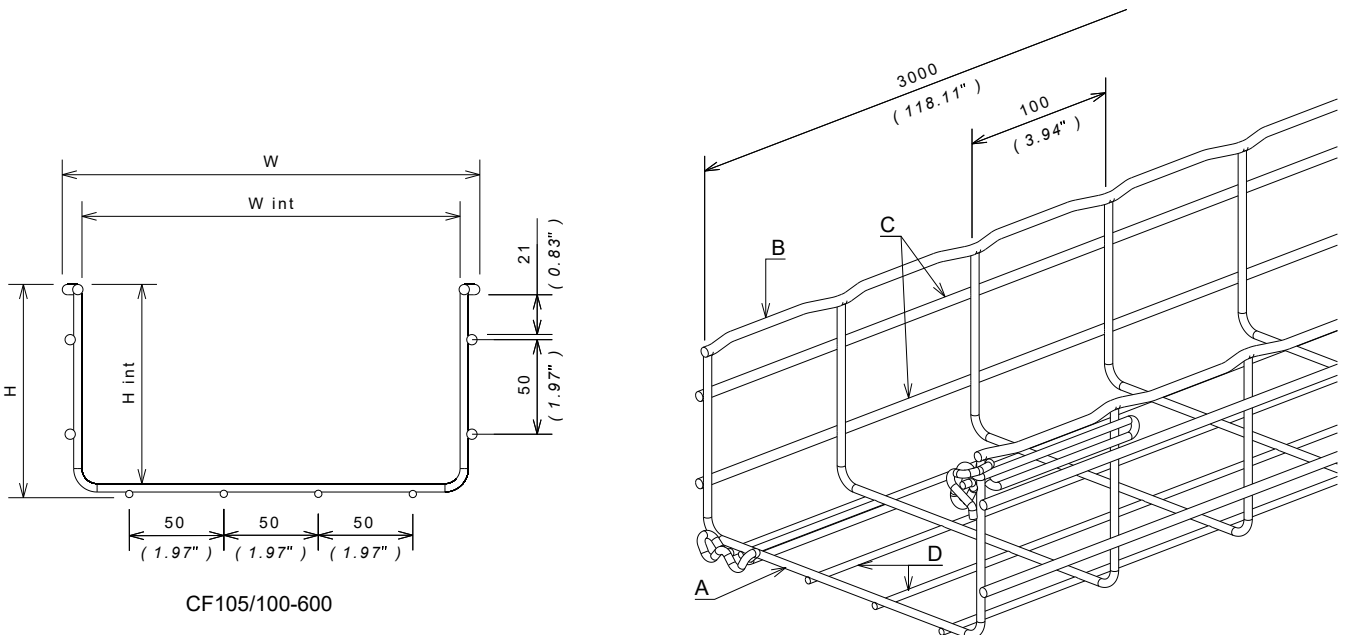
1. USAGE / USE

Chemin de câbles en fils d'acier soudés pré-éclissés/ Pre-coupled steel wire cable tray.

2. GAMME / RANGE

Designation	L int		EZ		ZnAl-HR		IN304L / SS304L		IN316L / SS316L					
	(mm) / (inch)		CODE	Poids / Weight (Kg) (lb)		CODE	Poids / Weight (Kg) (lb)		CODE	Poids / Weight (Kg) (lb)				
CF105/100	100	3.94	200 891	4.048	8.924	200 896	4.048	8.924	200 898	3.588	7.910	200 894	3.588	7.910
CF105/150	150	5.91	200 901	5.684	12.531	200 906	5.684	12.531	200 908	4.063	8.957	200 904	4.063	8.957
CF105/200	200	7.87	200 911	6.164	13.589	200 916	6.164	13.589	200 918	5.277	11.633	200 914	5.277	11.633
CF105/300	300	11.81	200 921	9.188	20.256	200 926	9.188	20.256	200 928	7.057	15.558	200 924	7.057	15.558
CF105/400	400	15.75	200 931	10.453	23.045	200 936	10.453	23.045	200 938	9.291	20.483	200 934	9.291	20.483
CF105/450	450	17.72	201 931	11.085	24.438	201 936	11.085	24.438	201 938	9.873	21.766	201 934	9.873	21.766
CF105/500	500	16.69	200 941	11.717	25.831	200 946	11.717	25.831	200 948	10.455	23.049	200 944	10.455	23.049
CF105/600	600	23.62	201 031	12.982	28.620	201 036	12.982	28.620	201 038	11.619	25.615	201 034	11.619	25.615

3. DIMENSIONS (mm/inch)



CF105/100-600

■ 3.1 Finition / Material finish : EZ / HR

Designation	Capacité / Capacity (mm ²)	A (∅)		B (∅)		C (∅)		D (∅)		W int		W		H int		H	
		(mm)	(inch)	(mm)	(inch)	(mm)	(inch)	(mm)	(inch)	(mm)	(inch)	(mm)	(inch)	(mm)	(inch)	(mm)	(inch)
FC105/100	10 133	4.4	0.17	5.5	0.22	3.9	0.15	3.9	0.15	100.0	3.94	115.6	4.55	51.7	2.04	58.5	2.30
FC105/150	15 213	4.4	0.17	5.5	0.22	5.5	0.22	3.9	0.15	150.0	5.91	167.6	6.60	51.6	2.03	58.9	2.32
FC105/200	20 293	4.4	0.17	5.5	0.22	5.5	0.22	3.9	0.15	200.0	7.87	220.9	8.70	51.6	2.03	58.9	2.32
FC105/300	30 303	5.9	0.23	5.9	0.23	5.9	0.23	3.9	0.15	300.0	11.81	320.9	12.63	51.6	2.03	60.6	2.39
FC105/400	40 413	5.9	0.23	5.9	0.23	5.9	0.23	3.9	0.15	400.0	15.75	423.6	16.68	51.1	2.01	62.0	2.44
FC105/450	45 468	5.9	0.23	5.9	0.23	5.9	0.23	3.9	0.15	450.0	17.72	473.6	18.65	51.1	2.01	62.0	2.44
FC105/500	50 523	5.9	0.23	5.9	0.23	5.9	0.23	3.9	0.15	500.0	19.69	523.6	20.61	51.1	2.01	62.0	2.44
FC105/600	60 633	5.9	0.23	5.9	0.23	5.9	0.23	3.9	0.15	600.0	23.62	623.6	24.55	51.1	2.01	62.0	2.44

■ 3.2 Finition / material finish : IN316L / SS316L



Designation	Capacité / Capacity (mm ²)	A (∅)		B (∅)		C (∅)		D (∅)		W int		W		H int		H	
		(mm)	(inch)	(mm)	(inch)	(mm)	(inch)	(mm)	(inch)	(mm)	(inch)	(mm)	(inch)	(mm)	(inch)	(mm)	(inch)
FC105/100	10 133	4.4	0.17	4.4	0.17	3.9	0.15	3.9	0.15	100.0	3.94	115.6	4.55	101.6	4.00	108.9	4.29
FC105/150	15 213	4.4	0.17	4.4	0.17	3.9	0.15	3.9	0.15	150.0	5.91	165.6	6.52	101.6	4.00	108.9	4.29
FC105/200	20 293	4.4	0.17	5.5	0.22	4.4	0.17	3.9	0.15	200.0	7.87	217.6	8.57	101.6	4.00	108.9	4.29
FC105/300	30 303	4.4	0.17	5.5	0.22	5.5	0.22	3.9	0.15	300.0	11.81	320.9	12.63	101.1	3.98	110.0	4.33
FC105/400	40 413	5.5	0.22	5.5	0.22	5.5	0.22	3.9	0.15	400.0	15.75	420.9	16.57	101.1	3.98	110.0	4.33
FC105/450	45 468	5.5	0.22	5.5	0.22	5.5	0.22	3.9	0.15	450.0	17.72	470.9	18.54	101.1	3.98	110.0	4.33
FC105/500	50 523	5.5	0.22	5.5	0.22	5.5	0.22	3.9	0.15	500.0	19.69	520.9	20.51	101.1	3.98	110.0	4.33
FC105/600	60 633	5.5	0.22	5.5	0.22	5.5	0.22	3.9	0.15	600.0	23.62	620.9	24.44	101.1	3.98	110.0	4.33

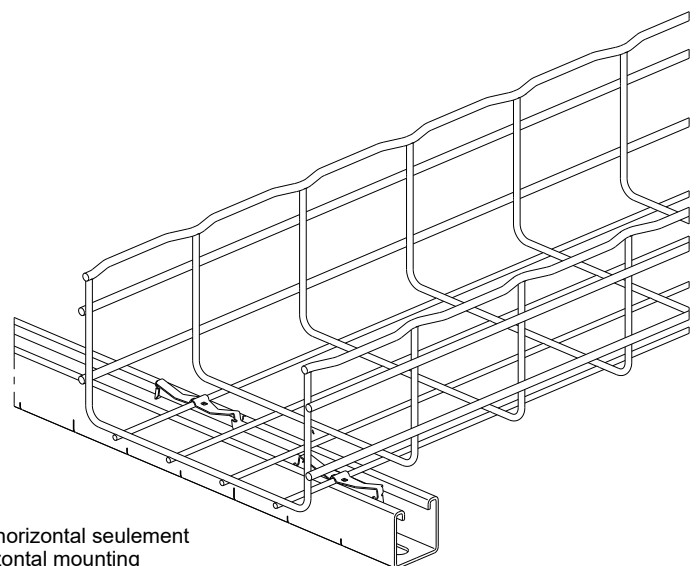
4. FIXATION (non incluse) / FIXING (not included)

■ 4.1 VIS / SCREW

- 1 point de fixation minimum jusqu'a la largeur 200 mm incluse / 1 minimum fixing point untill width 200 mm included
- 2 points de fixation minimum à partir de la largeur 300 / 2 minimum fixing points from width 300 mm

■ 4.2 FS41

	100 → 300	400 → 600
	x2 mini	x3 mini



Montage horizontal seulement
 Only horizontal mounting

5. INSTALLATION



FC105/600



FC105/500



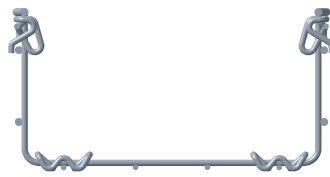
FC105/450



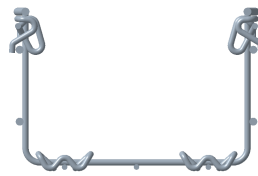
FC105/400



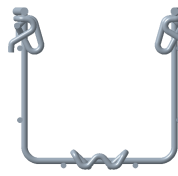
FC105/300



FC105/200

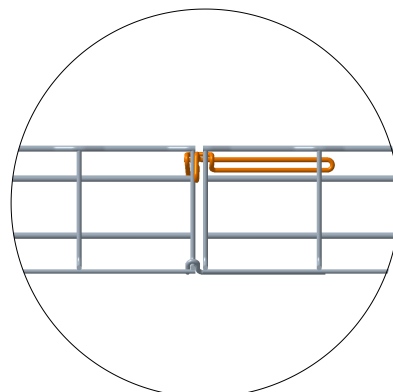
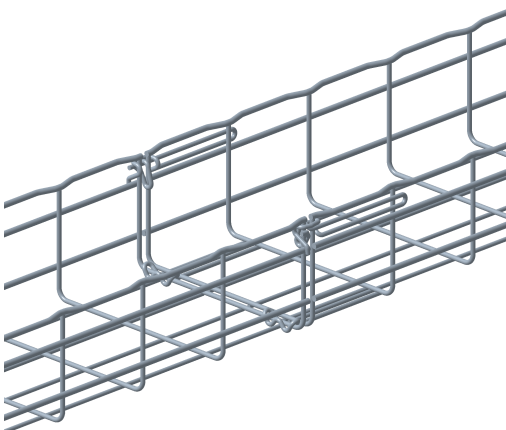
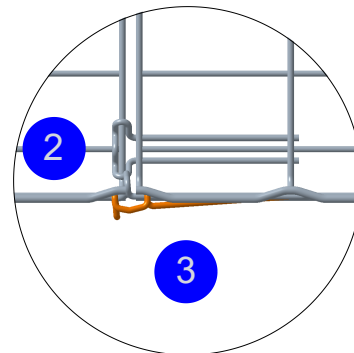
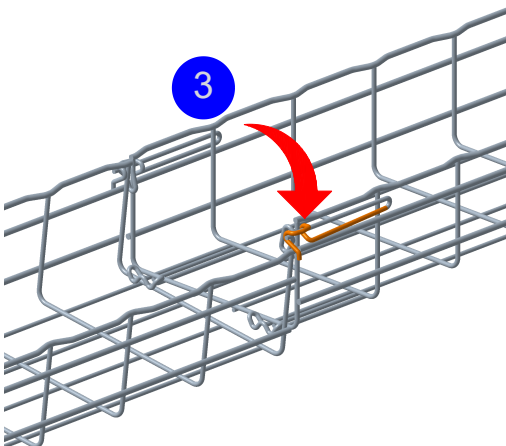
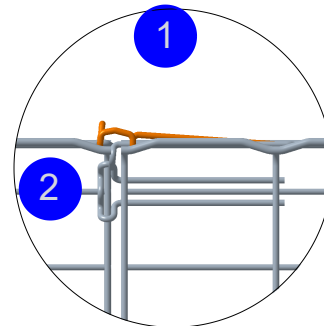
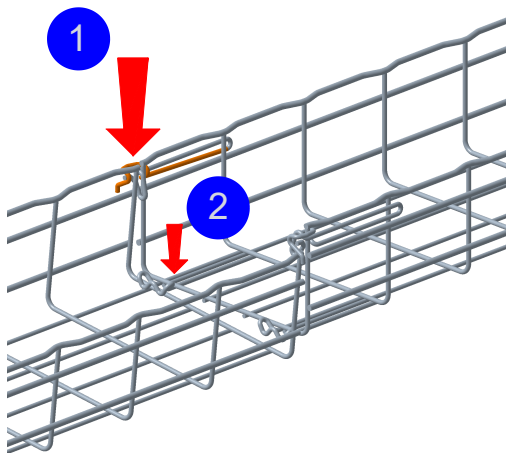
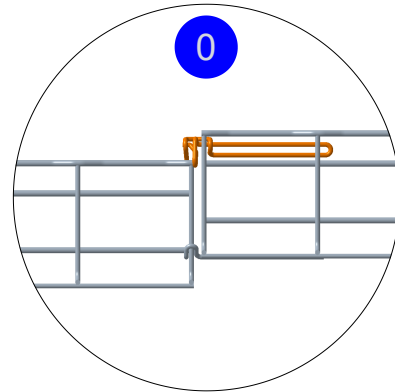
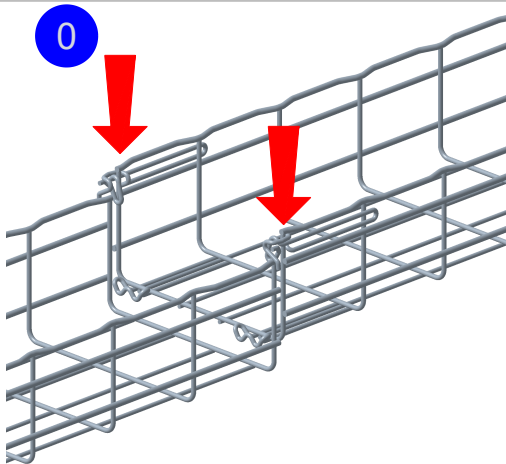


FC105/150

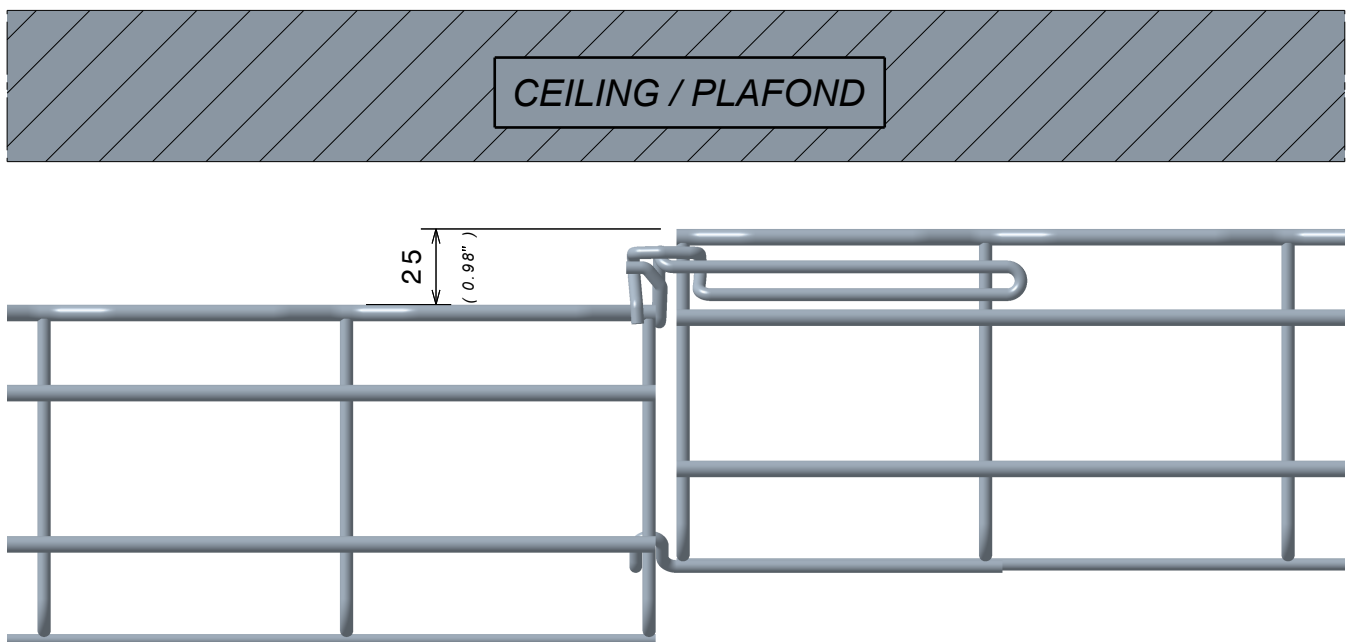
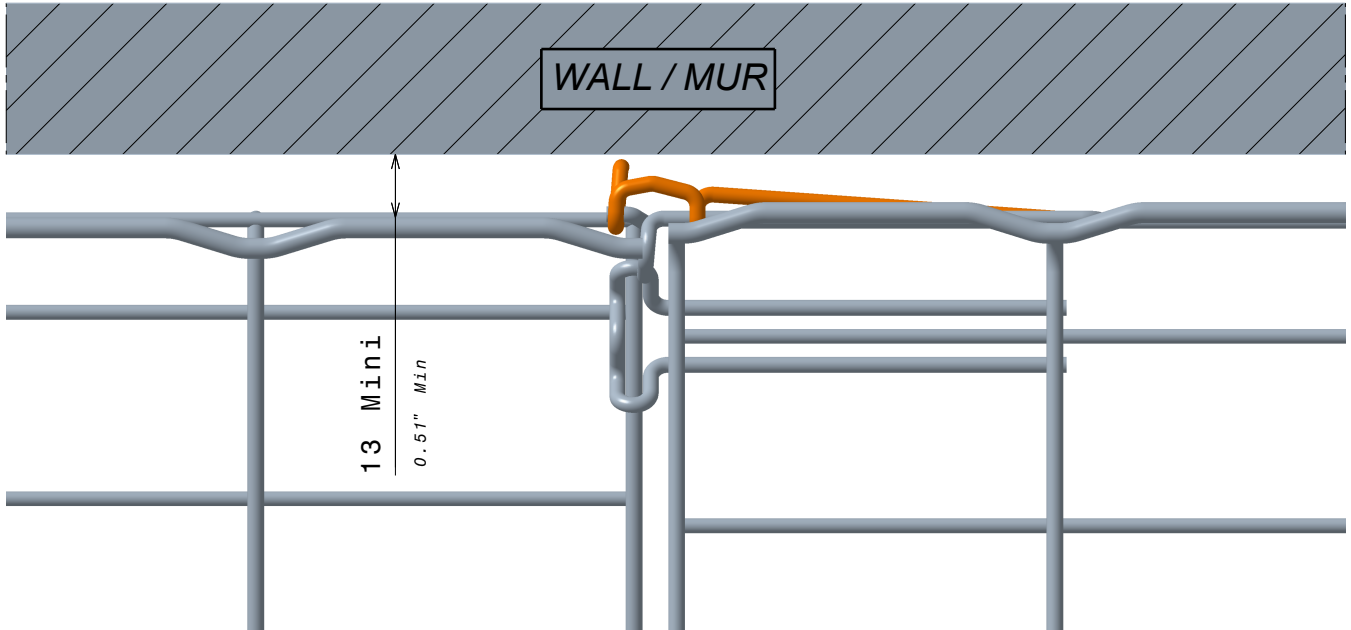


FC105/100

5. INSTALLATION (suite / cont.)

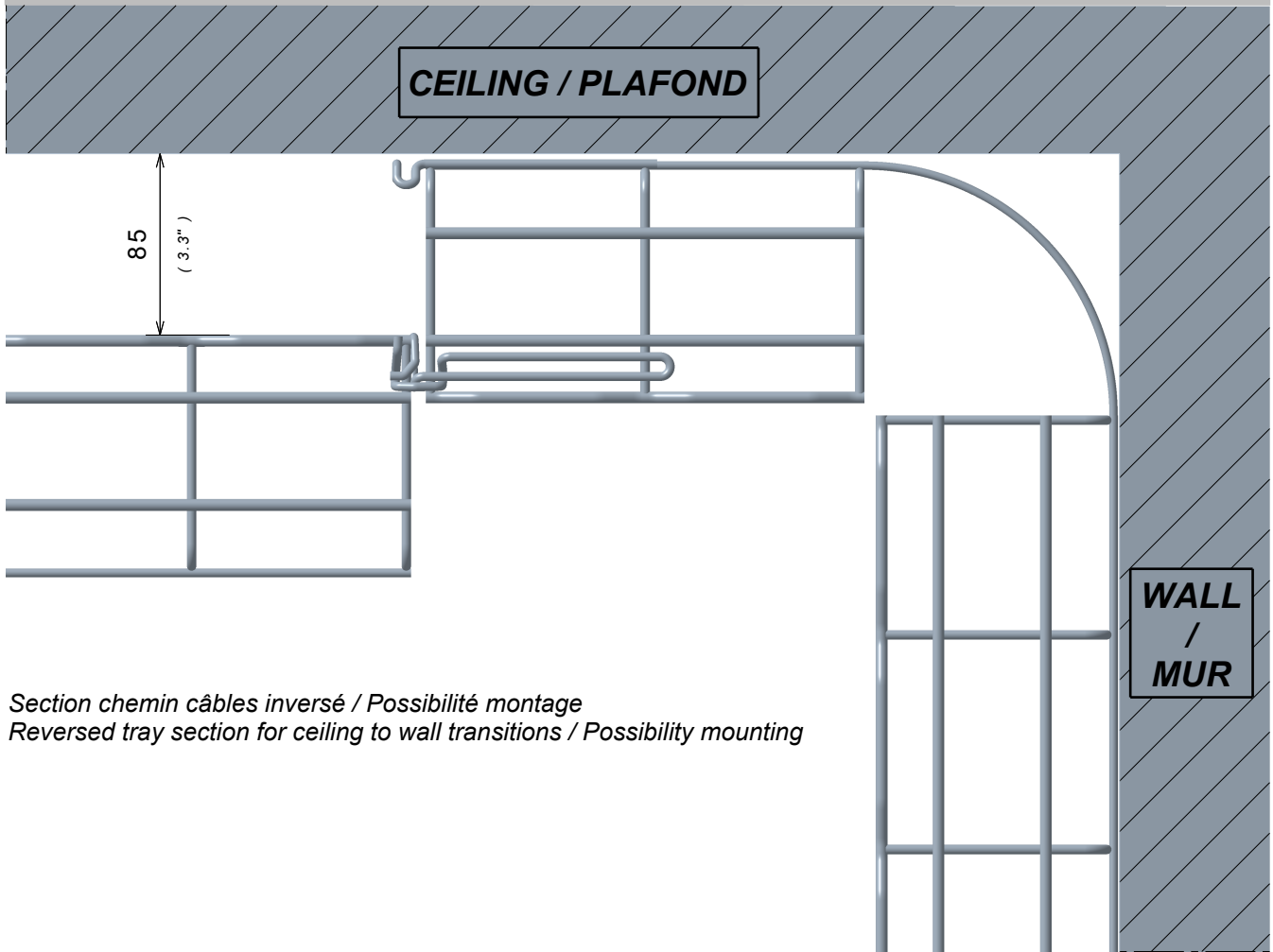


5. INSTALLATION (suite / cont.)



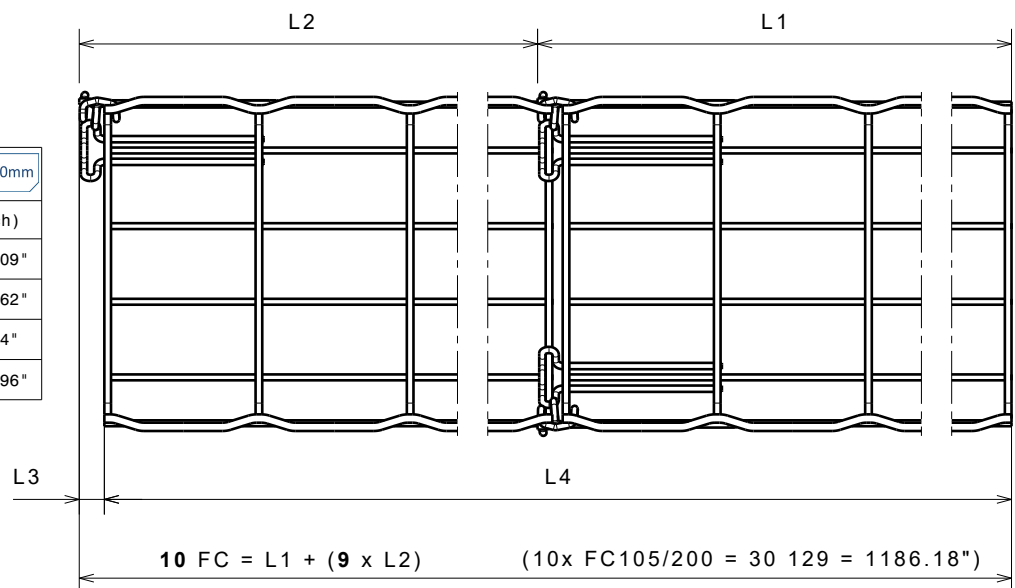
FC105 / 100 - 600

5. INSTALLATION (suite / cont.)



Section chemin câbles inversé / Possibilité montage
Reversed tray section for ceiling to wall transitions / Possibility mounting

	←→ 100 -> 200mm		←→ 300 -> 600mm	
	(mm)	(inch)	(mm)	(inch)
L1	3021	118.9"	3025	119.09"
L2	3012	118.6"	3013	118.62"
L3	17	0.67"	19	0.74"
L4	6016	236.8"	6019	236.96"



6. CONFORMITES / CONFORMITIES

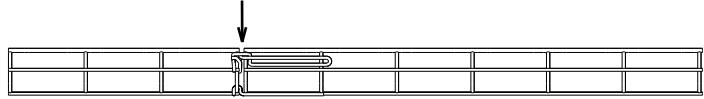
■ 6.1 Continuité électrique chemin de câbles / Cable tray electrical continuity

- Suivant CEI61537 / following IEC 61537

Conforme à CEI 61537-Système de chemin de câbles
Comply with IEC 61537-Cable tray systems

- Chemin de câbles éclissé / coupled cable tray
EZ/HR <5mΩ/m
304L/316L <10mΩ/m

- Chemin de câble éclissé chargé / coupled cable tray joint load
EZ/HR <1mΩ/m
304L/316L <5mΩ/m



■ 6.2 Caractéristiques matières / Material characteristics

Finition / Coating	Classe de résistance contre la corrosion / Resistance class against corrosion	Matière / Material	Norme matière / material Standard
EZ	Classe 3 - CEI 61537 / Class 3 - IEC 61537	C9D	EN ISO 16120-2
HR (ZnAl)	Classe 8 - CEI 61537 / Class 8 - IEC 61537	C9D	EN ISO 16120-2
IN304L / SS304L	Classe 9C - CEI 61537 / Class 9C - IEC 61537	X2 Cr Ni 18-9	EN 10 088-3
IN316L / SS316L	Classe 9D - CEI 61537 / Class 9D - IEC 61537	X2 Cr Ni Mo 17-12-2	EN 10 088-3

■ 6.3 Caractéristiques climatiques / climatic characteristics

Température de stockage et d'utilisation / storage and operating temperature : - 20° C à + 120° C

7. CONTENANCE / CAPACITY

Contenance en DaN/m = Poids indicatif des câbles lors d'un remplissage à 100% du Chemin de câbles
Capacity in DaN / m = Indicative weight of the cables when the cable tray is 100% filled

	CONTENANCE maximum / Maximum CAPACITY (DaN/m)	
	d=0.15 (VDI / DATA)	d=0.25 (Puissance / Power)
FC105/100	15	25
FC105/150	23	38
FC105/200	30	51
FC105/300	46	76
FC105/400	61	102
FC105/450	69	114
FC105/500	76	124
FC105/600	91	152

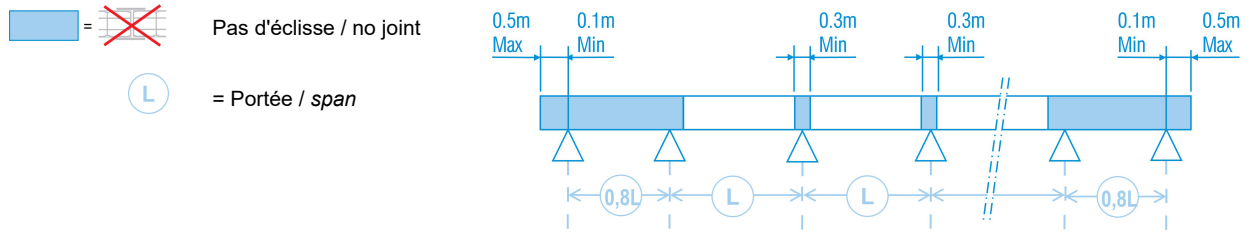
d = densité des câbles / cable density (kg/m/cm²)

1 kgf = 0,98 daN ≈ 1 daN

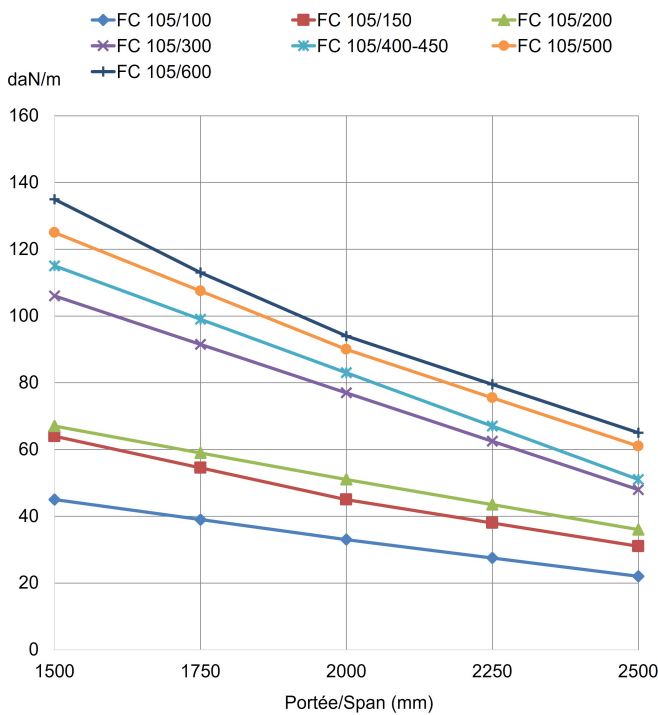
8. COURBE DE CHARGE / LOADING CURVES

■ 8.1 Essais sous CPS (Charge Pratique de Sécurité) / Test for SWL (Safe Working Load) :

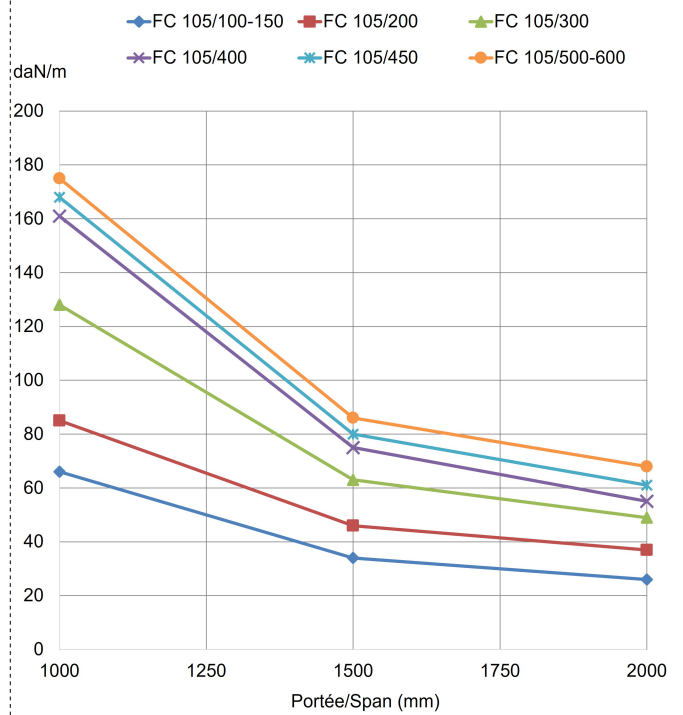
"Type II / CEI"



EZ - HR



INOX / STAINLESS STEEL



Porté maximum en mm lors d'un remplissage à 100% du Chemin de câbles / Maximum span in mm when the cable tray is 100% filled

	Porté maximum / maximum span (mm)	
	d=0.15 (VDI / DATA)	d=0.25 (Puissance / Power)
FC 105/100	2800	2300
FC 105/150	2775	2200
FC 105/200	2700	2000
FC 105/300	2525	2000
FC 105/400	2350	1700
FC 105/450	2200	1500
FC 105/500	2225	1450
FC 105/600	2050	1300

	Porté maximum / maximum span (mm)	
	d=0.15 (VDI / DATA)	d=0,25 (puissance / power)
FC 105/100	2650	1950
FC 105/150	1800	1400
FC 105/200	2350	1400
FC 105/300	2100	1400
FC 105/400	1750	1300
FC 105/450	1750	1300
FC 105/500	1600	1200
FC 105/600	1450	1100