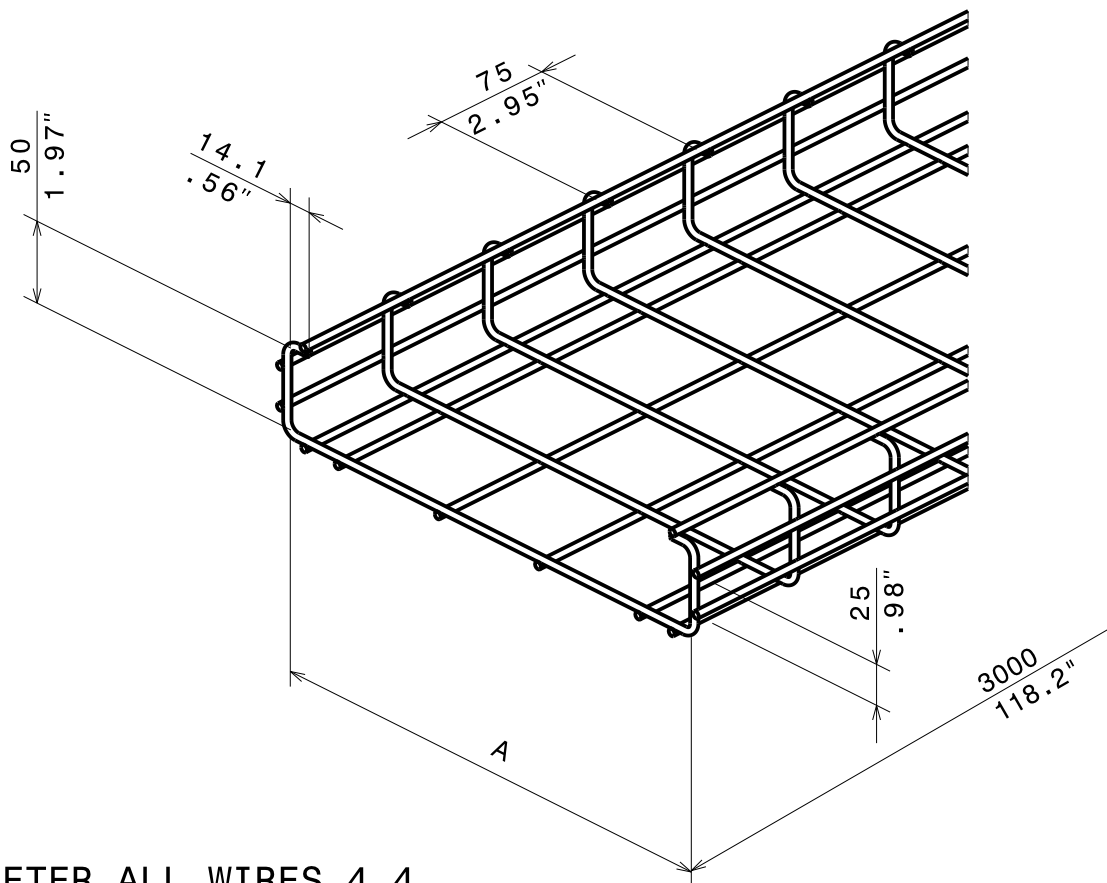
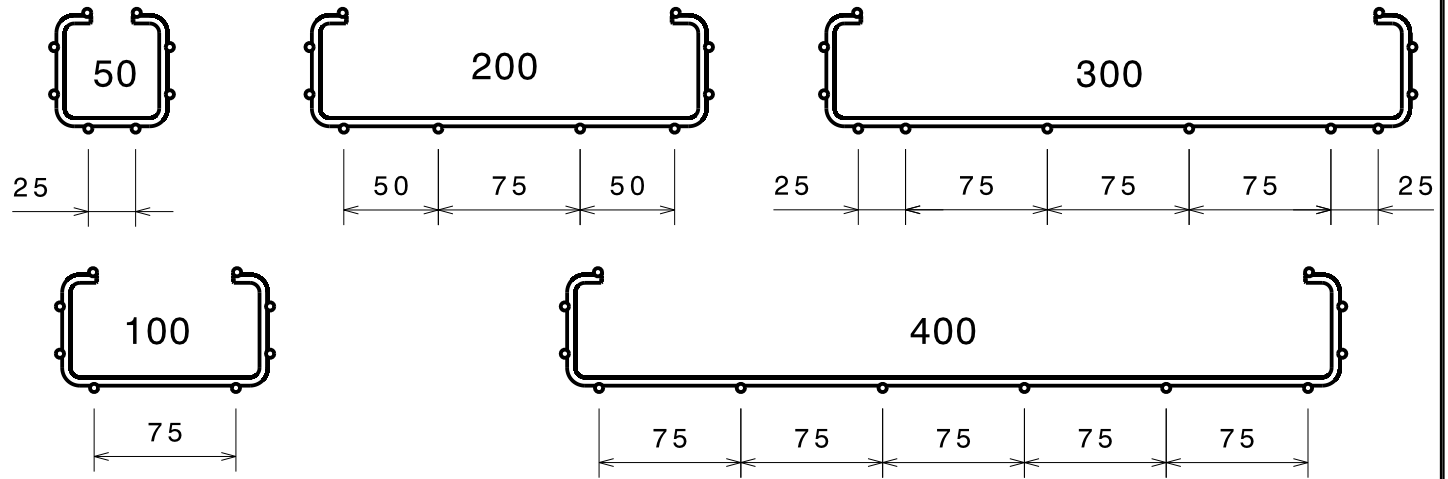


FT0024-3

04-16



DIAMETER ALL WIRES 4.4

REF	CODE	POIDS kg / m	WEIGHT lb / ft	A mm	A inch	NORMES / STANDARD
CFC 50	004 063	1.340	0.901	50	1.97	EN ISO 16120-2
CFC 100	004 073	1.420	0.955	100	3.94	
CFC 200	004 093	1.850	1.244	200	7.87	Class 6 according to CEI 61537
CFC 300	004 103	2.280	1.534	300	11.81	
CFC 400	004 203	2.450	1.648	400	15.75	

MATIERE / MATERIAL C4D TO C9D	Class 6 according to CEI 61537
PROTECTION / COATING GC / HDG	