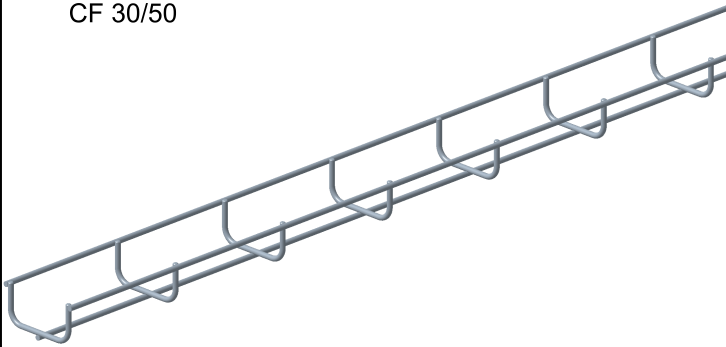


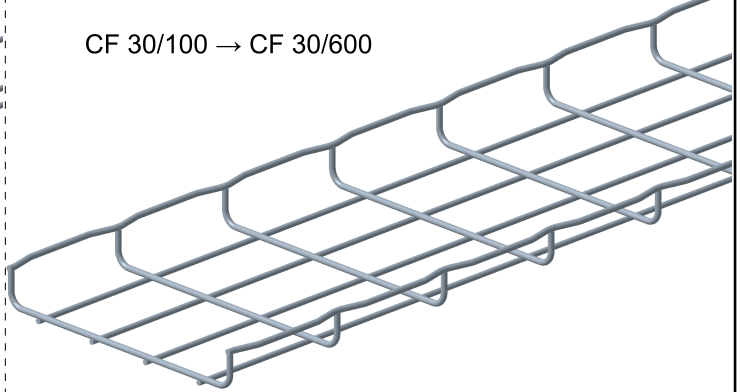
**CF 30**

 Reference(s) : 000 011/021/031/041/051/801/831/811/851  
 000 013/023/033/043/053/803/833/813/853  
 000 016/026/036/046/056/806/836/816/856  
 000 018/028/038/048/058/808/818/858  
 000 014/024/034/044/054/804/814/854

CF 30/50



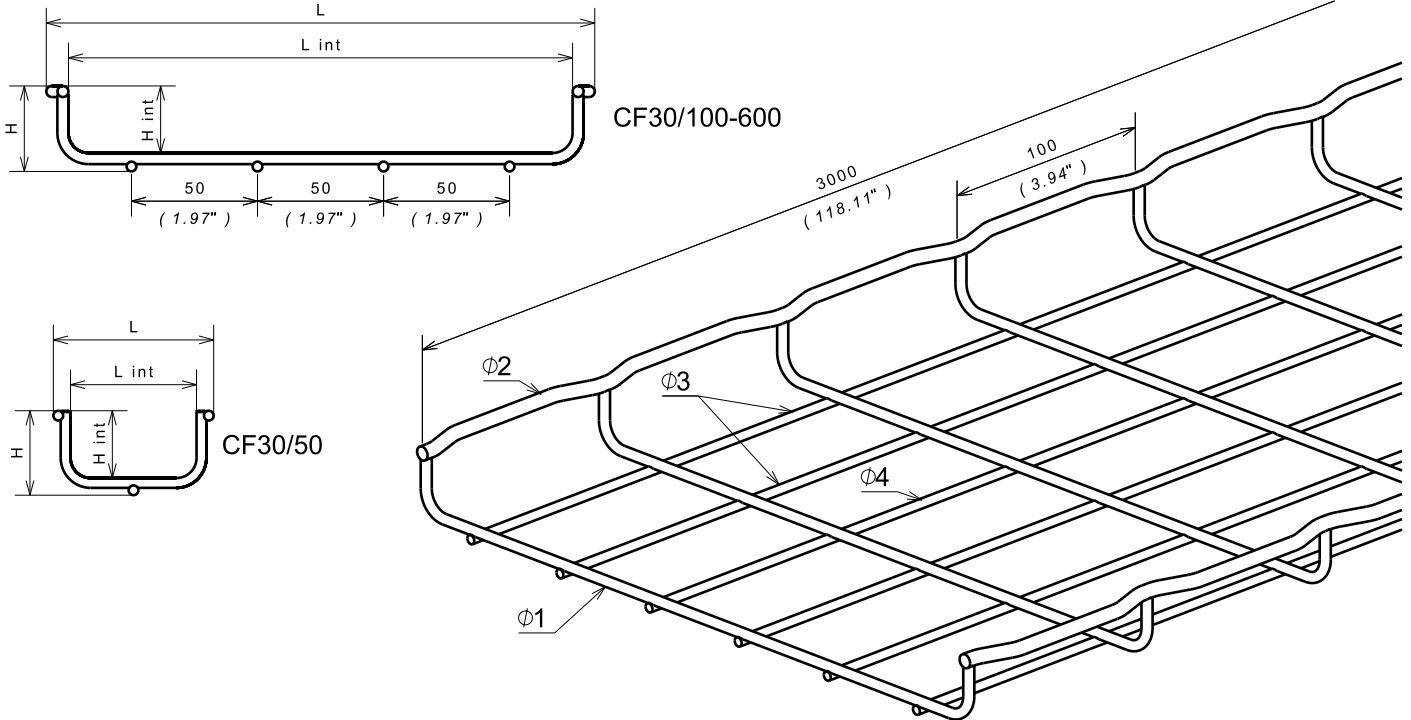
CF 30/100 → CF 30/600


**1. GAMME / RANGE**

Designation	Code	Poids / Weight (Kg) (lb)		Matière / Material	Norme / Standard	Finition / Coating	Classe de résistance contre la corrosion / Class for resistance against corrosion
CF30/50 EZ	000 011	1.175	2.591	C9D	EN ISO 16120-2	EZ	Classe 3 - CEI 61537 / Class 3 - IEC 61537
CF30/100 EZ	000 021	1.601	3.529				
CF30/150 EZ	000 031	2.039	4.496				
CF30/200 EZ	000 041	2.839	6.258				
CF30/300 EZ	000 051	4.394	9.687				
CF30/400 EZ	000 801	6.851	15.103				
CF30/450 EZ	000 831	7.331	16.161				
CF30/500 EZ	000 811	7.810	17.219				
CF30/600 EZ	000 851	8.770	19.336				
CF30/50 GC	000 013	1.221	2.692	C9D	EN ISO 16120-2	GC / HDG	Classe 6 - CEI 61537 / Class 6 - IEC 61537
CF30/100 GC	000 023	1.663	3.666				
CF30/150 GC	000 033	2.119	4.671				
CF30/200 GC	000 043	2.949	6.501				
CF30/300 GC	000 053	4.565	10.063				
CF30/400 GC	000 803	7.117	15.689				
CF30/450 GC	000 833	7.615	16.789				
CF30/500 GC	000 813	8.114	17.888				
CF30/600 GC	000 853	9.111	20.086				
CF30/50 304L	000 018	1.169	2.578	X2 Cr Ni 18-9	EN 10 088-3	IN304L / SS304L	Classe 9C - CEI 61537 / Class 9C - IEC 61537
CF30/100 304L	000 028	1.591	3.508				
CF30/150 304L	000 038	2.029	4.472				
CF30/200 304L	000 048	2.822	6.222				
CF30/300 304L	000 058	4.192	9.242				
CF30/400 304L	000 808	6.288	13.864				
CF30/500 304L	000 818	7.243	15.968				
CF30/600 304L	000 858	8.197	18.072				
CF30/50 316L	000 014	1.169	2.578	X2 Cr Ni Mo 17-12-2	EN 10 088-3	IN316L / SS316L	Classe 9D - CEI 61537 / Class 9D - IEC 61537
CF30/100 316L	000 024	1.591	3.508				
CF30/150 316L	000 034	2.029	4.472				
CF30/200 316L	000 044	2.822	6.222				
CF30/300 316L	000 054	4.192	9.242				
CF30/400 316L	000 804	6.288	13.864				
CF30/500 316L	000 814	7.243	15.968				
CF30/600 316L	000 854	8.197	18.072				
CF30/50 ZnAl	000 016	1.141	2.515	Zinc Alu	EN 10244-2	ZnAl	Classe 8 - CEI 61537 / Class 8 - IEC 61537
CF30/100 ZnAl	000 026	1.554	3.426				
CF30/150 ZnAl	000 036	1.980	4.365				
CF30/200 ZnAl	000 046	2.756	6.076				
CF30/300 ZnAl	000 056	4.266	9.405				
CF30/400 ZnAl	000 806	6.651	14.663				
CF30/450 ZnAl	000 836	7.117	15.690				
CF30/500 ZnAl	000 816	7.583	16.718				
CF30/600 ZnAl	000 856	8.515	18.772				

**CF 30**

 Reference(s) : 000 011/021/031/041/051/801/831/811/851  
 000 013/023/033/043/053/803/833/813/853  
 000 016/026/036/046/056/806/836/816/856  
 000 018/028/038/048/058/808/818/858  
 000 014/024/034/044/054/804/814/854

**2. DIMENSIONS (mm/inch)**


Designation	Capacité / Capacity (mm²)	Ø1		Ø2		Ø3		Ø4		L int		L		H int		H	
		(mm)	(inch)	(mm)	(inch)	(mm)	(inch)	(mm)	(inch)	(mm)	(inch)	(mm)	(inch)	(mm)	(inch)	(mm)	(inch)
CF30/50 EZ/GC/ZnAl	1 308	3.9	0.15	3.9	0.15	-	-	3.9	0.15	50.0	1.97	63.6	2.50	26.7	1.05	33.5	1.32
CF30/100 EZ/GC/ZnAl	2 643	3.9	0.15	3.9	0.15	3.9	0.15	-	-	100.0	3.94	115.6	4.55	26.7	1.05	33.5	1.32
CF30/150 EZ/GC/ZnAl	3 978	3.9	0.15	3.9	0.15	3.9	0.15	-	-	150.0	5.91	165.6	6.52	26.7	1.05	33.5	1.32
CF30/200 EZ/GC/ZnAl	5 293	4.4	0.17	4.4	0.17	3.9	0.15	-	-	200.0	7.87	217.6	8.57	26.6	1.05	33.9	1.33
CF30/300 EZ/GC/ZnAl	7 953	4.4	0.17	5.9	0.23	3.9	0.15	3.9	0.15	300.0	11.81	322.1	12.68	26.6	1.05	33.9	1.33
CF30/400 EZ/GC/ZnAl	10 613	4.4	0.17	5.9	0.23	5.9	0.23	3.9	0.15	400.0	15.75	422.1	16.62	26.6	1.05	36.0	1.42
CF30/450 EZ/GC/ZnAl	11 943	4.4	0.17	5.9	0.23	5.9	0.23	3.9	0.15	450.0	17.72	472.1	18.59	26.6	1.05	36.0	1.42
CF30/500 EZ/GC/ZnAl	13 273	4.4	0.17	5.9	0.23	5.9	0.23	3.9	0.15	500.0	19.69	522.1	20.56	26.6	1.05	36.0	1.42
CF30/600 EZ/GC/ZnAl	15 933	4.4	0.17	5.9	0.23	5.9	0.23	3.9	0.15	600.0	23.62	622.1	24.49	26.6	1.05	36.0	1.42
CF30/50 304L/316L	1 308	3.9	0.15	3.9	0.15	-	-	3.9	0.15	50.0	1.97	64.0	2.52	26.7	1.05	33.7	1.33
CF30/100 304L/316L	2 643	3.9	0.15	3.9	0.15	3.9	0.15	-	-	100.0	3.94	115.6	4.55	26.7	1.05	33.7	1.33
CF30/150 304L/316L	3 978	3.9	0.15	3.9	0.15	3.9	0.15	-	-	150.0	5.91	165.6	6.52	26.7	1.05	33.7	1.33
CF30/200 304L/316L	5 293	4.4	0.17	4.4	0.17	3.9	0.15	-	-	200.0	7.87	215.4	8.48	26.6	1.05	33.9	1.33
CF30/300 304L/316L	7 953	4.4	0.17	5.5	0.22	3.9	0.15	3.9	0.15	300.0	11.81	320.9	12.63	26.6	1.05	33.9	1.33
CF30/400 304L/316L	10 613	4.4	0.17	5.5	0.22	5.5	0.22	3.9	0.15	400.0	15.75	420.9	16.57	26.6	1.05	35.6	1.40
CF30/500 304L/316L	13 273	4.4	0.17	5.5	0.22	5.5	0.22	3.9	0.15	500.0	19.69	520.9	20.51	26.6	1.05	35.6	1.40
CF30/600 304L/316L	15 933	4.4	0.17	5.5	0.22	5.5	0.22	3.9	0.15	600.0	23.62	620.9	24.44	26.6	1.05	35.6	1.40

**3. FIXATION / FIXING**
**VIS / SCREW :**

- 1 point de fixation minimum jusqu'a la largeur 200 mm incluse / 1 minimum fixing point until width 200 mm included
- 2 points de fixation minimum à partir de la largeur 300 / 2 minimum fixing points from width 300 mm

**FS41 :**

- Montage FS41 à partir de la largeur 100mm / Mounting FS41 from width 100 mm
- 2 points de fixation minimum quelque soit les largeurs / 2 minimum fixing points whatever width