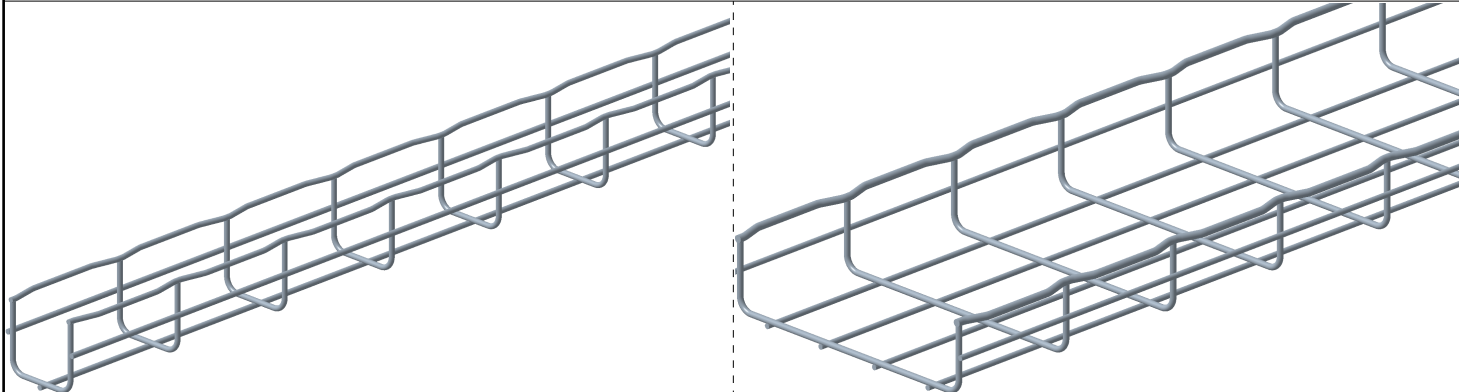


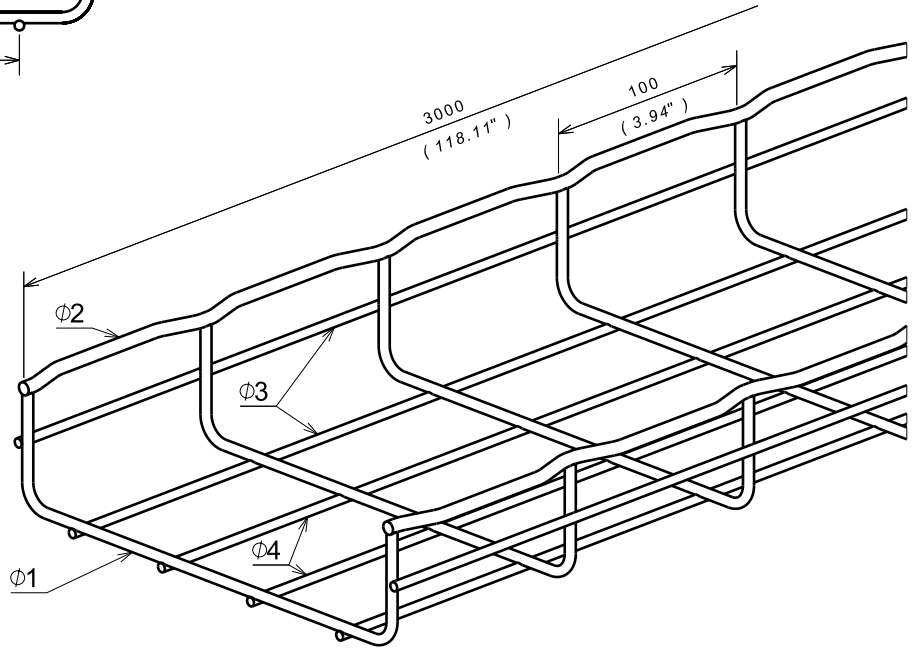
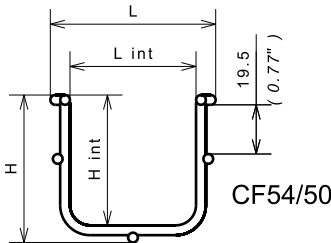
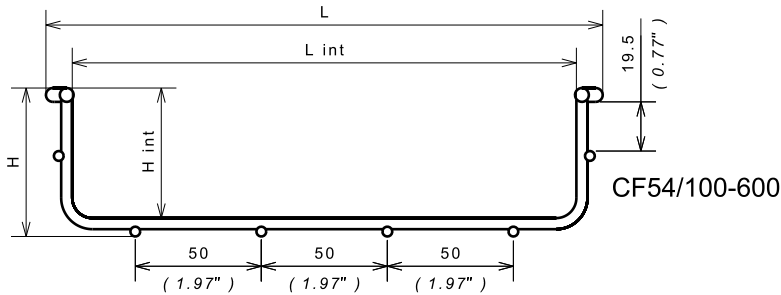
CF 54

 Reference(s) : 000 060/070/080/090/100/200/250/300/400
 000 061/071/081/091/101/201/251/301/401
 000 063/073/083/093/103/203/253/303/403
 000 064/074/084/094/104/204/254/304/404
 000 066/076/086/096/106/206/256/306/406
 000 068/078/088/098/108/208/258/308/408

1. GAMME / RANGE

Designation	Code	Poids / Weight (Kg) (lb)	Matière / Material	Norme / Standard	Finition / Coating	Classe de résistance contre la corrosion / Resistance class against corrosion
CF54/50 PG	000 060	1.834	C9D classe D / class D	EN 10244-2	PG	Classe 2 - CEI 61537 / Class 2 - IEC 61537
CF54/100 PG	000 070	2.260				
CF54/150 PG	000 080	3.036				
CF54/200 PG	000 090	3.908				
CF54/300 PG	000 100	5.956				
CF54/400 PG (Easy Access)	000 200	8.303				
CF54/450 PG (Easy Access)	000 250	8.636				
CF54/500 PG (Easy Access)	000 300	9.531				
CF54/600 PG (Easy Access)	000 400	10.197				
CF54/50 EZ	000 061	1.889	C9D	EN ISO 16120-2	EZ	Classe 3 - CEI 61537 / Class 3 - IEC 61537
CF54/100 EZ	000 071	2.328				
CF54/150 EZ	000 081	3.127				
CF54/200 EZ	000 091	4.025				
CF54/300 EZ	000 101	6.134				
CF54/400 EZ	000 201	9.131				
CF54/450 EZ	000 251	9.763				
CF54/500 EZ	000 301	10.396				
CF54/600 EZ	000 401	11.660				
CF54/50 GC	000 063	1.962	C9D	EN ISO 16120-2	GC / HDG	Classe 6 - CEI 61537 / Class 6 - IEC 61537
CF54/100 GC	000 073	2.418				
CF54/150 GC	000 083	3.249				
CF54/200 GC	000 093	4.181				
CF54/300 GC	000 103	6.373				
CF54/400 GC	000 203	9.485				
CF54/450 GC	000 253	10.142				
CF54/500 GC	000 303	10.799				
CF54/600 GC	000 403	12.113				
CF54/50 304L	000 068	1.879	X2 Cr Ni 18-9	EN 10 088-3	IN304L / SS304L	Classe 9C - CEI 61537 / Class 9C - IEC 61537
CF54/100 304L	000 078	2.316				
CF54/150 304L	000 088	2.753				
CF54/200 304L	000 098	3.586				
CF54/300 304L	000 108	5.271				
CF54/400 304L	000 208	7.053				
CF54/450 304L	000 258	8.696				
CF54/500 304L	000 308	9.280				
CF54/600 304L	000 408	10.448				
CF54/50 316L	000 064	1.879	X2 Cr Ni Mo 17-12-2	EN 10 088-3	IN316L / SS316L	Classe 9D - CEI 61537 / Class 9D - IEC 61537
CF54/100 316L	000 074	2.316				
CF54/150 316L	000 084	2.753				
CF54/200 316L	000 094	3.586				
CF54/300 316L	000 104	5.271				
CF54/400 316L	000 204	7.053				
CF54/450 316L	000 254	8.696				
CF54/500 316L	000 304	9.280				
CF54/600 316L	000 404	10.448				
CF54/50 ZnAl	000 066	1.834	Zinc Alu	EN 12244-2	ZnAl	Classe 8 - CEI 61537 / Class 8 - IEC 61537
CF54/100 ZnAl	000 076	2.260				
CF54/150 ZnAl	000 086	3.036				
CF54/200 ZnAl	000 096	3.908				
CF54/300 ZnAl	000 106	5.956				
CF54/400 ZnAl	000 206	8.865				
CF54/450 ZnAl	000 256	9.479				
CF54/500 ZnAl	000 306	10.093				
CF54/600 ZnAl	000 406	11.321				

CF 54

 Reference(s) : 000 060/070/080/090/100/200/250/300/400
 000 061/071/081/091/101/201/251/301/401
 000 063/073/083/093/103/203/253/303/403
 000 064/074/084/094/104/204/254/304/404
 000 066/076/086/096/106/206/256/306/406
 000 068/078/088/098/108/208/258/308/408

2. DIMENSIONS (mm/inch)


Designation	Capacité / Capacity (mm ²)	Ø1		Ø2		Ø3		Ø4		L int		L		H int		H	
		(mm)	(inch)	(mm)	(inch)	(mm)	(inch)	(mm)	(inch)	(mm)	(inch)	(mm)	(inch)	(mm)	(inch)	(mm)	(inch)
CF54/50 PG/EZ/GC/ZnAl	2 558	3.9	0.15	3.9	0.15	3.9	0.15	-	-	50.0	1.97	65.6	2.58	51.7	2.04	58.5	2.30
CF54/100 PG/EZ/GC/ZnAl	5 143	3.9	0.15	3.9	0.15	3.9	0.15	-	-	100.0	3.94	115.6	4.55	51.7	2.04	58.5	2.30
CF54/150 PG/EZ/GC/ZnAl	7 713	4.4	0.17	4.4	0.17	3.9	0.15	3.9	0.15	150.0	5.91	167.6	6.60	51.6	2.03	58.9	2.32
CF54/200 PG/EZ/GC/ZnAl	10 293	4.4	0.17	5.5	0.22	3.9	0.15	3.9	0.15	200.0	7.87	220.9	8.70	51.6	2.03	58.9	2.32
CF54/300 PG/EZ/GC/ZnAl	15 453	4.4	0.17	5.5	0.22	5.5	0.22	3.9	0.15	300.0	11.81	320.9	12.63	51.6	2.03	60.6	2.39
CF54/400 PG/EZ/GC/ZnAl	20 413	5.9	0.23	5.9	0.23	5.9	0.23	3.9	0.15	400.0	15.75	423.6	16.68	51.1	2.01	62.0	2.44
CF54/450 PG/EZ/GC/ZnAl	22 968	5.9	0.23	5.9	0.23	5.9	0.23	3.9	0.15	450.0	17.72	473.6	18.65	51.1	2.01	62.0	2.44
CF54/500 PG/EZ/GC/ZnAl	25 523	5.9	0.23	5.9	0.23	5.9	0.23	3.9	0.15	500.0	19.69	523.6	20.61	51.1	2.01	62.0	2.44
CF54/600 PG/EZ/GC/ZnAl	30 633	5.9	0.23	5.9	0.23	5.9	0.23	3.9	0.15	600.0	23.62	623.6	24.55	51.1	2.01	62.0	2.44
CF54/50 304L/316L	2 558	3.9	0.15	3.9	0.15	3.9	0.15	-	-	50.0	1.97	65.6	2.58	51.7	2.04	58.7	2.31
CF54/100 304L/316L	5 143	3.9	0.15	3.9	0.15	3.9	0.15	-	-	100.0	3.94	115.6	4.55	51.7	2.04	58.7	2.31
CF54/150 304L/316L	7 728	3.9	0.15	3.9	0.15	3.9	0.15	3.9	0.15	150.0	5.91	165.6	6.52	51.7	2.04	58.7	2.31
CF54/200 304L/316L	10 293	4.4	0.17	4.4	0.17	3.9	0.15	3.9	0.15	200.0	7.87	217.6	8.57	51.6	2.03	58.9	2.32
CF54/300 304L/316L	15 453	4.4	0.17	5.5	0.22	4.4	0.17	3.9	0.15	300.0	11.81	320.9	12.63	51.6	2.03	59.4	2.34
CF54/400 304L/316L	20 613	4.4	0.17	5.5	0.22	5.5	0.22	3.9	0.15	400.0	15.75	420.9	16.57	51.6	2.03	60.6	2.39
CF54/450 304L/316L	22 968	5.5	0.22	5.5	0.22	5.5	0.22	3.9	0.15	450.0	17.72	470.9	18.54	51.1	2.01	61.2	2.41
CF54/500 304L/316L	25 523	5.5	0.22	5.5	0.22	5.5	0.22	3.9	0.15	500.0	19.69	520.9	20.51	51.1	2.01	61.2	2.41
CF54/600 304L/316L	30 633	5.5	0.22	5.5	0.22	5.5	0.22	3.9	0.15	600.0	23.62	620.9	24.44	51.1	2.01	61.2	2.41