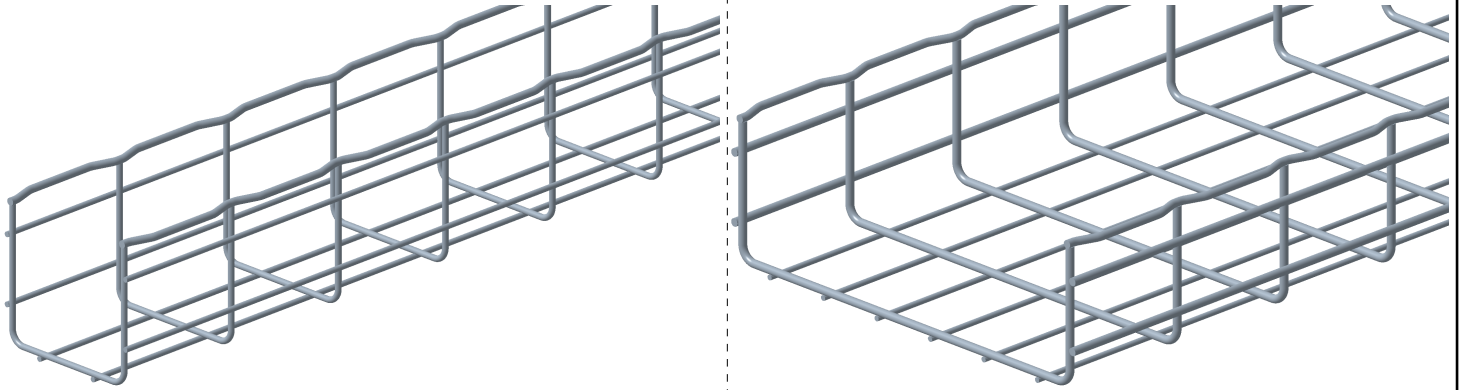


CF 105

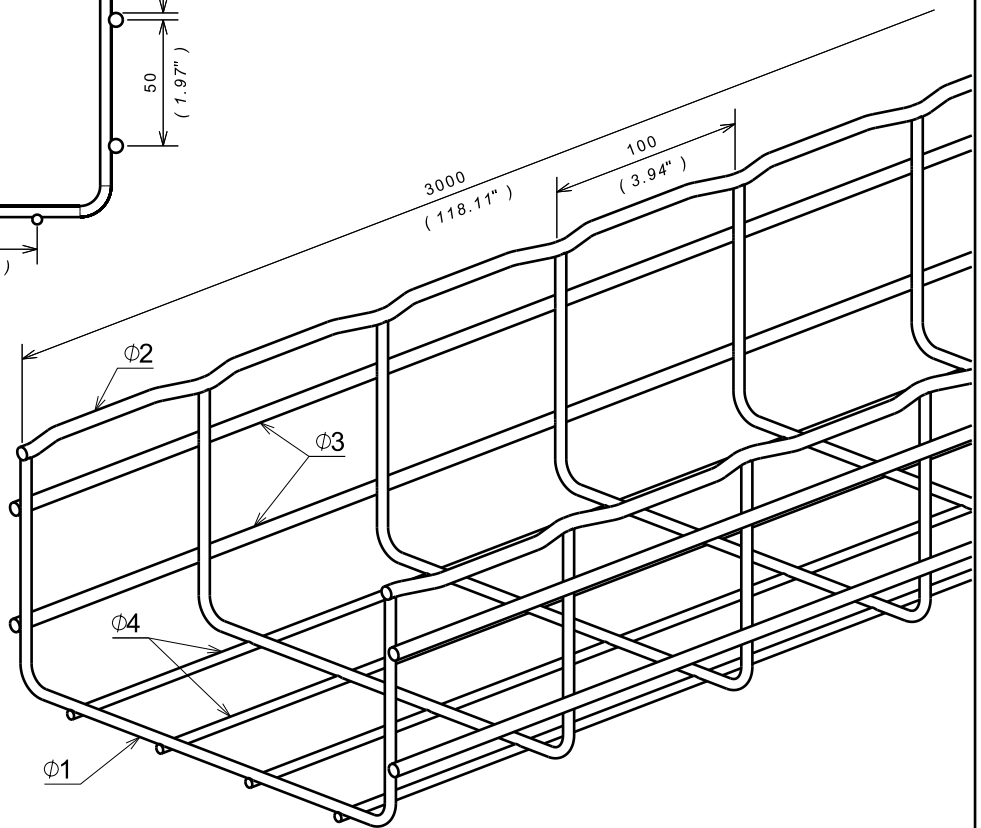
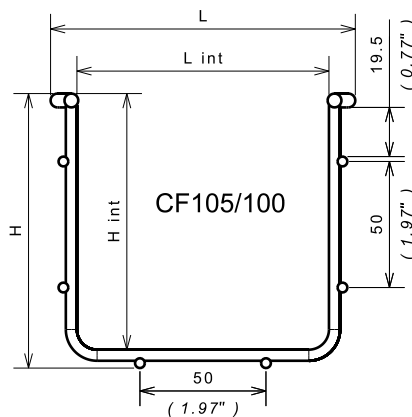
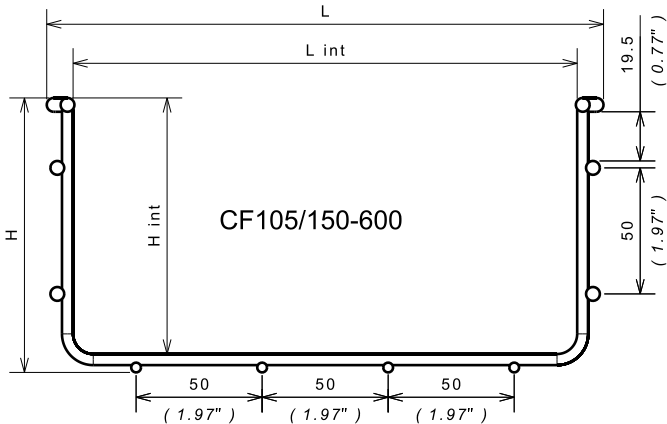
Reference(s) : 000 890/900/910

 000 891/901/911/921/931/941 001 931/031
 000 893/903/913/923/933/943 001 933/033
 000 894/904/914/924/934/944 001 934/034
 000 896/906/916/926/936/946 001 036/936
 000 898/908/918/928/938/948 001 938/038

1. GAMME / RANGE

Designation	Code	Poids / Weight (Kg) (lb)		Matière / Material	Norme / Standard	Finition / Coating	Classe de résistance contre la corrosion / Resistance class against corrosion
CF105/100 PG	000 890	3.908	8.615	C9D classe D / class D	EN 10244-2	PG	Classe 2 - CEI 61537 / Class 2 - IEC 61537
CF105/150 PG	000 900	5.490	12.103				
CF105/200 PG	000 910	5.956	13.130				
CF105/100 EZ	000 891	4.025	8.874	C9D	EN ISO 16120-2	EZ	Classe 3 - CEI 61537 / Class 3 - IEC 61537
CF105/150 EZ	000 901	5.654	12.466				
CF105/200 EZ	000 911	6.134	13.524				
CF105/300 EZ	000 921	9.131	20.130				
CF105/400 EZ	000 931	10.396	22.918				
CF105/450 EZ	001 931	11.028	24.312				
CF105/500 EZ	000 941	11.660	25.707				
CF105/600 EZ	001 031	12.925	28.495				
CF105/100 GC	000 893	4.181	9.219	C9D	EN ISO 16120-2	GC / HDG	Classe 6 - CEI 61537 / Class 6 - IEC 61537
CF105/150 GC	000 903	5.874	12.950				
CF105/200 GC	000 913	6.373	14.049				
CF105/300 GC	000 923	9.485	20.912				
CF105/400 GC	000 933	10.799	23.808				
CF105/450 GC	001 933	11.456	25.257				
CF105/500 GC	000 943	12.113	26.705				
CF105/600 GC	001 033	13.427	29.602				
CF105/100 304L	000 898	3.586	7.907	X2 Cr Ni 18-9	EN 10 088-3	IN304L / SS304L	Classe 9C - CEI 61537 / Class 9C - IEC 61537
CF105/150 304L	000 908	4.064	8.959				
CF105/200 304L	000 918	5.271	11.620				
CF105/300 304L	000 928	7.053	15.549				
CF105/400 304L	000 938	9.280	20.458				
CF105/450 304L	001 938	9.864	21.746				
CF105/500 304L	000 948	10.448	23.034				
CF105/600 304L	001 038	11.616	25.609				
CF105/100 316L	000 894	3.586	7.907	X2 Cr Ni Mo 17-12-2	EN 10 088-3	IN316L / SS316L	Classe 9D - CEI 61537 / Class 9D - IEC 61537
CF105/150 316L	000 904	4.064	8.959				
CF105/200 316L	000 914	5.271	11.620				
CF105/300 316L	000 924	7.053	15.549				
CF105/400 316L	000 934	9.280	20.458				
CF105/450 316L	001 934	9.864	21.746				
CF105/500 316L	000 944	10.448	23.034				
CF105/600 316L	001 034	11.616	25.609				
CF105/100 ZnAl	000 896	3.908	8.615	Zinc Alu	EN 10244-2	ZnAl	Classe 8 - CEI 61537 / Class 8 - IEC 61537
CF105/150 ZnAl	000 906	5.490	12.103				
CF105/200 ZnAl	000 916	5.956	13.130				
CF105/300 ZnAl	000 926	8.865	19.544				
CF105/400 ZnAl	000 936	10.093	22.251				
CF105/450 ZnAl	001936	10.707	23.604				
CF105/500 ZnAl	000 946	11.321	24.958				
CF105/600 ZnAl	001 036	12.549	27.666				

CF 105

 Reference(s) : 000 890/900/910
 000 891/901/911/921/931/941 001 931/031
 000 893/903/913/923/933/943 001 933/033
 000 894/904/914/924/934/944 001 934/034
 000 896/906/916/926/936/946 001 036/936
 000 898/908/918/928/938/948 001 938/038

2. DIMENSIONS (mm/inch)


Designation	Capacité / Capacity (mm ²)	Ø1		Ø2		Ø3		Ø4		L int		L		H int		H	
		(mm)	(inch)	(mm)	(inch)	(mm)	(inch)	(mm)	(inch)	(mm)	(inch)	(mm)	(inch)	(mm)	(inch)	(mm)	(inch)
CF105/100 PG/EZ/GC/ZnAl	10 133	4.4	0.17	5.5	0.22	3.9	0.15	3.9	0.15	100.0	3.94	120.9	4.76	101.6	4.00	108.9	4.29
CF105/150 PG/EZ/GC/ZnAl	15 213	4.4	0.17	5.5	0.22	5.5	0.22	3.9	0.15	150.0	5.91	170.9	6.73	101.6	4.00	108.9	4.29
CF105/200 PG/EZ/GC/ZnAl	20 293	4.4	0.17	5.5	0.22	5.5	0.22	3.9	0.15	200.0	7.87	220.9	8.70	101.6	4.00	108.9	4.29
CF105/300 PG/EZ/GC/ZnAl	30 303	5.9	0.23	5.9	0.23	5.9	0.23	3.9	0.15	300.0	11.81	323.6	12.74	101.1	3.98	110.0	4.33
CF105/400 PG/EZ/GC/ZnAl	40 413	5.9	0.23	5.9	0.23	5.9	0.23	3.9	0.15	400.0	15.75	423.6	16.68	101.1	3.98	110.0	4.33
CF105/450 PG/EZ/GC/ZnAl	45 468	5.9	0.23	5.9	0.23	5.9	0.23	3.9	0.15	450.0	17.72	473.6	18.65	101.1	3.98	110.0	4.33
CF105/500 PG/EZ/GC/ZnAl	50 523	5.9	0.23	5.9	0.23	5.9	0.23	3.9	0.15	500.0	19.69	523.6	20.61	101.1	3.98	110.0	4.33
CF105/600 PG/EZ/GC/ZnAl	60 633	5.9	0.23	5.9	0.23	5.9	0.23	3.9	0.15	600.0	23.62	623.6	24.55	101.1	3.98	110.0	4.33
CF105/100 304L/316L	10 133	4.4	0.17	4.4	0.17	3.9	0.15	3.9	0.15	100.0	3.94	117.6	4.63	101.6	4.00	108.9	4.29
CF105/150 304L/316L	15 213	4.4	0.17	4.4	0.17	3.9	0.15	3.9	0.15	150.0	5.91	167.6	6.60	101.6	4.00	108.9	4.29
CF105/200 304L/316L	20 293	4.4	0.17	5.5	0.22	4.4	0.17	3.9	0.15	200.0	7.87	220.9	8.70	101.6	4.00	108.9	4.29
CF105/300 304L/316L	30 453	4.4	0.17	5.5	0.22	5.5	0.22	3.9	0.15	300.0	11.81	320.9	12.63	101.6	4.00	108.9	4.29
CF105/400 304L/316L	40 413	5.5	0.22	5.5	0.22	5.5	0.22	3.9	0.15	400.0	15.75	422.0	16.61	101.1	3.98	109.6	4.31
CF105/450 304L/316L	45 468	5.5	0.22	5.5	0.22	5.5	0.22	3.9	0.15	450.0	17.71	472.0	18.58	101.1	3.98	109.6	4.31
CF105/500 304L/316L	50 523	5.5	0.22	5.5	0.22	5.5	0.22	3.9	0.15	500.0	19.69	522.0	20.55	101.1	3.98	109.6	4.31
CF105/600 304L/316L	60 633	5.5	0.22	5.5	0.22	5.5	0.22	3.9	0.15	600.0	23.62	622.0	24.49	101.1	3.98	109.6	4.31