

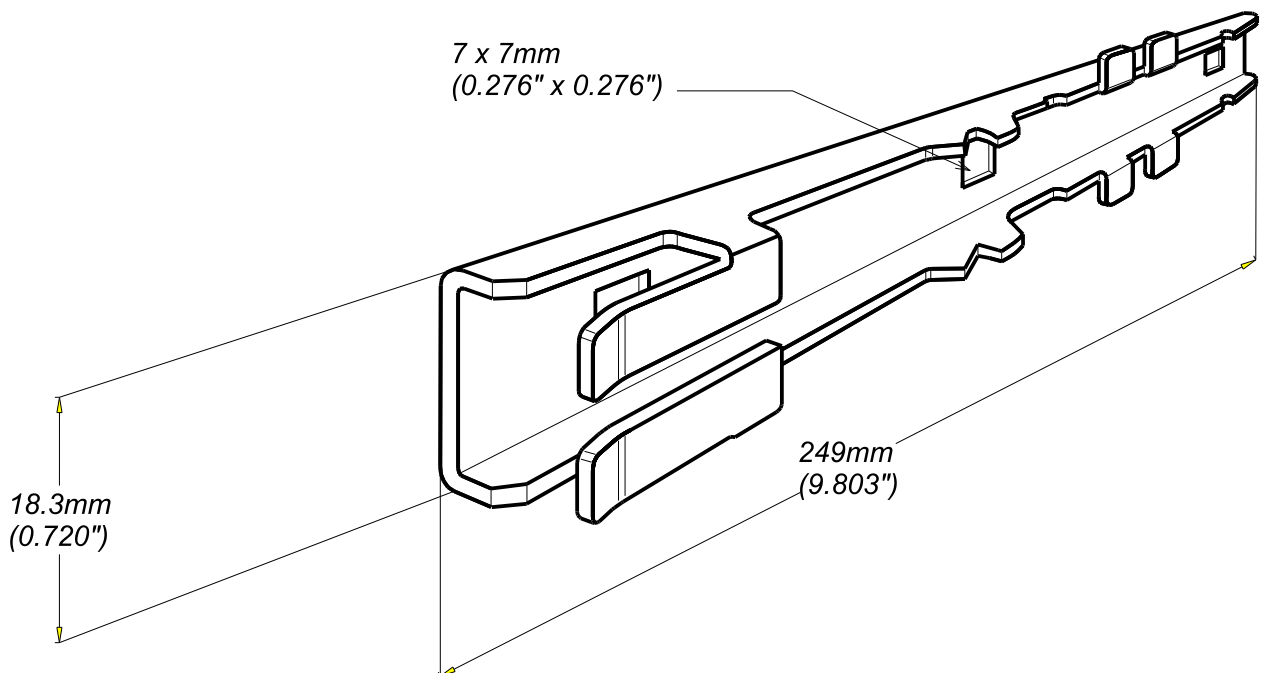
ECLISSE AUTOCLIC
AUTOCLIC SPLICE

GS
PG

legrand | CABLE
MANAGEMENT

FT0087-0

10 13



| REF | CODE | POIDS (Kg) | / WEIGHT (lb) |
|----------|---------|---------------|------------------|
| AUTOCLIC | 558 280 | 0.090 | 0.199 |

| | |
|--|----------------------|
| EPAISSEUR THICKNESS 1.5 (0.06") | NORMES / STANDARD |
| MATIERE / MATERIAL DX 51 D Z275 MAC | EN 10346 |
| | |