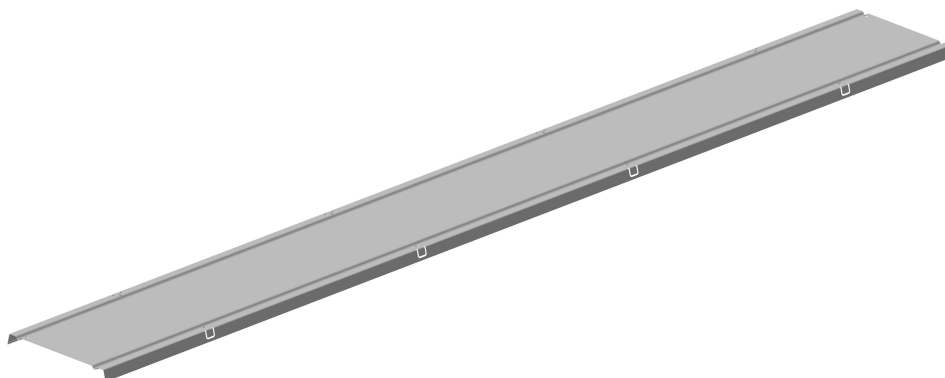


**COUVERCLE CP
CP COVER**

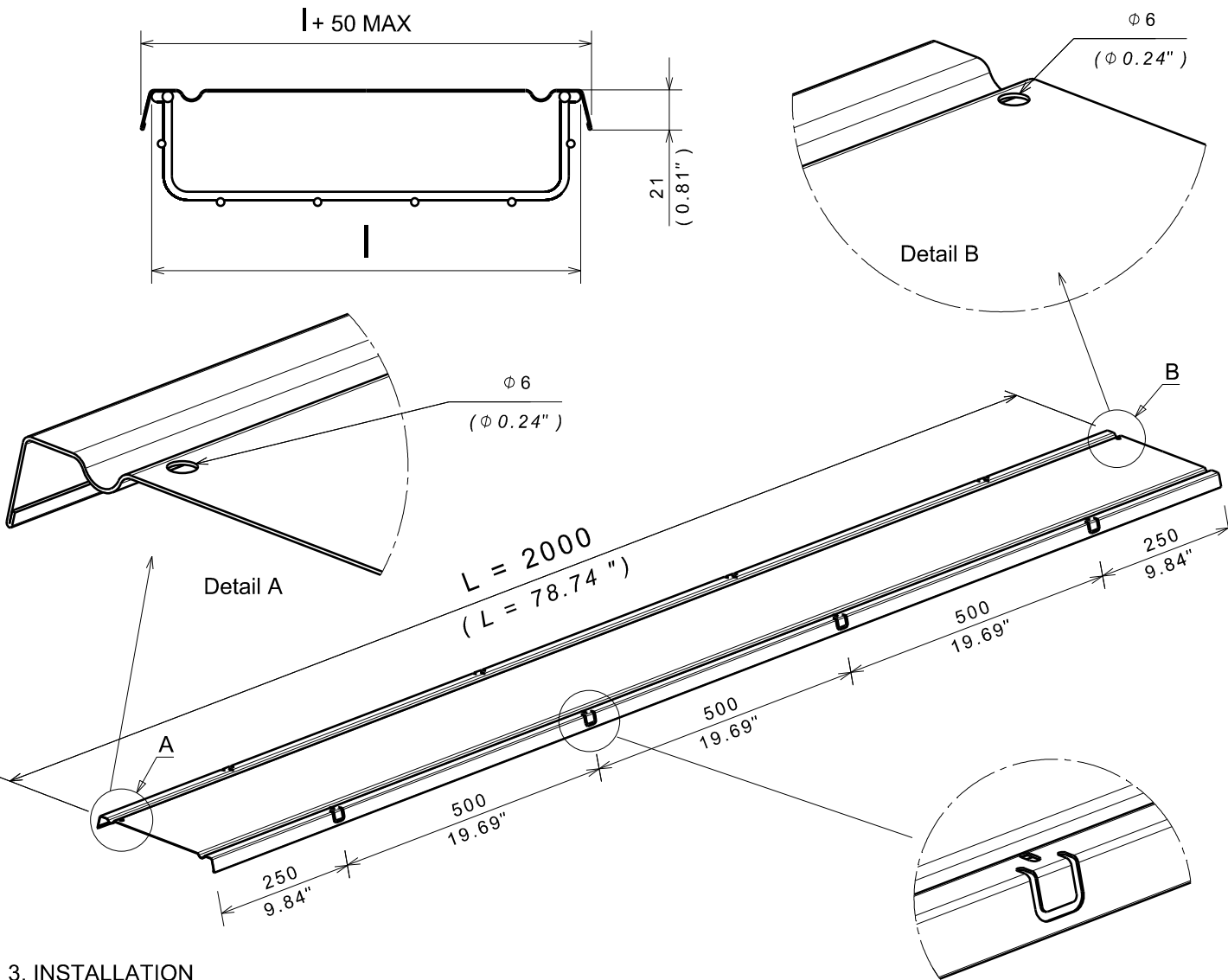
 Reference(s) : 646010/13/14/18/20/23/24/28/30/33/
34/40/43/44/50/53/54/60/63/64/70/73/
74/80/83/84/90/93/94
350664/65/66/67/68/69/70/71/72

1. GAMME / RANGE

| Designation | Code | Poids / Weight (kg) (lb) | | Epaisseur / Thickness (mm) (inch) | | l (mm) (inch) | | Matière / Material | Norme / Standard | Finition / Coating | Classe de résistance contre la corrosion / Resistance class against corrosion | | |
|---------------|---------|-----------------------------|--------|--------------------------------------|--------|------------------|--------|--------------------|------------------|------------------------|---|-----------------|----------------------|
| | | | | | | | | | | | | | |
| CP 50 GS | 646 010 | 1,228 | 2,707 | 0,6 | 0,024 | 71 | 2,795 | 2000 | 78,74 | DX51D Z275 | EN 10 346 | GS/PG | Class 3 / IEC 61537 |
| CP 100 GS | 646 020 | 1,708 | 3,765 | | | 121 | 4,764 | | | | | | |
| CP 150 GS | 646 030 | 2,188 | 4,824 | | | 171 | 6,732 | | | | | | |
| CP 200 GS | 646 040 | 2,668 | 5,882 | | | 221 | 8,701 | | | | | | |
| CP 300 GS | 646 050 | 3,638 | 8,020 | | | 322 | 12,677 | | | | | | |
| CP 400 GS | 646 060 | 6,168 | 13,598 | 0,75 | 0,030 | 425 | 16,732 | 2000 | 78,74 | DX51D Z275 | EN 10 346 | GS/PG | Class 3 / IEC 61537 |
| CP 450 GS | 646 090 | 6,81 | 15,013 | | | 475 | 18,701 | | | | | | |
| CP 500 GS | 646 070 | 7,45 | 16,424 | | | 525 | 20,669 | | | | | | |
| CP 600 GS | 646 080 | 8,73 | 19,246 | | | 625 | 24,606 | | | | | | |
| CP 50 GC | 646 013 | 1,314 | 2,897 | 0,6 | 0,024 | 71 | 2,795 | 2000 | 78,74 | DC01 | EN 10 130 | GC/HDG | Class 6 / IEC 61537 |
| CP 100 GC | 646 023 | 1,828 | 4,029 | | | 121 | 4,764 | | | | | | |
| CP 150 GC | 646 033 | 2,341 | 5,161 | | | 171 | 6,732 | | | | | | |
| CP 200 GC | 646 043 | 2,855 | 6,294 | | | 221 | 8,701 | | | | | | |
| CP 300 GC | 646 053 | 3,893 | 8,582 | | | 322 | 12,677 | | | | | | |
| CP 400 GC | 646 063 | 7,040 | 15,520 | 0,8 | 0,030 | 425 | 16,732 | 2000 | 78,74 | DC01 | EN 10 130 | GC/HDG | Class 6 / IEC 61537 |
| CP 450 GC | 646 093 | 7,772 | 17,134 | | | 475 | 18,701 | | | | | | |
| CP 500 GC | 646 073 | 8,504 | 18,748 | | | 525 | 20,669 | | | | | | |
| CP 600 GC | 646 083 | 9,964 | 21,967 | | | 625 | 24,606 | | | | | | |
| CP 50 SS316L | 646 014 | 1,257 | 2,772 | 0,6 | 0,024 | 71 | 2,795 | 2000 | 78,74 | X2 Cr Ni Mo 17-12-2 | EN 10 088-2 | IN316L / SS316L | Class 9D / IEC 61537 |
| CP 100 SS316L | 646 024 | 1,749 | 3,856 | | | 121 | 4,764 | | | | | | |
| CP 150 SS316L | 646 034 | 2,241 | 4,939 | | | 171 | 6,732 | | | | | | |
| CP 200 SS316L | 646 044 | 2,732 | 6,023 | | | 221 | 8,701 | | | | | | |
| CP 300 SS316L | 646 054 | 3,725 | 8,213 | | | 322 | 12,677 | | | | | | |
| CP 400 SS316L | 646 064 | 6,738 | 14,855 | 0,8 | 0,030 | 425 | 16,732 | 2000 | 78,74 | X2 Cr Ni Mo 17-12-2 | EN 10 088-2 | IN316L / SS316L | Class 9D / IEC 61537 |
| CP 450 SS316L | 646 094 | 7,438 | 16,398 | | | 475 | 18,701 | | | | | | |
| CP 500 SS316L | 646 074 | 8,139 | 17,943 | | | 525 | 20,669 | | | | | | |
| CP 600 SS316L | 646 084 | 9,535 | 21,021 | | | 625 | 24,606 | | | | | | |
| CP 50 SS304L | 646 018 | 1,257 | 2,772 | 0,6 | 0,024 | 71 | 2,795 | 2000 | 78,74 | X2 Cr Ni 18-9 | EN 10 088-2 | IN304L / SS304L | Class 9C / IEC 61537 |
| CP 100 SS304L | 646 028 | 1,749 | 3,856 | | | 121 | 4,764 | | | | | | |
| CP 50 ZnMg | 350 664 | 1,60 | 3,52 | 0,8 | 0,031 | 71 | 2,795 | 2000 | 78,74 | DX51D ZM | EN 10 346 | Zn Mg | Class 8 / IEC 61537 |
| CP 100 ZnMg | 350 665 | 2,23 | 4,92 | | | 121 | 4,764 | | | | | | |
| CP 150 ZnMg | 350 666 | 2,85 | 6,28 | | | 171 | 6,732 | | | | | | |
| CP 200 ZnMg | 350 667 | 3,48 | 7,67 | | | 221 | 8,701 | | | | | | |
| CP 300 ZnMg | 350 668 | 4,76 | 10,49 | | | 322 | 12,677 | | | | | | |
| CP 400 ZnMg | 350 669 | 6,05 | 13,34 | | | 425 | 16,732 | | | | | | |
| CP 450 ZnMg | 350 670 | 6,68 | 14,73 | | | 475 | 18,701 | | | | | | |
| CP 500 ZnMg | 350 671 | 7,31 | 16,12 | | | 525 | 20,669 | | | | | | |
| CP 600 ZnMg | 350 672 | 8,57 | 18,89 | 625 | 24,606 | | | | | | | | |

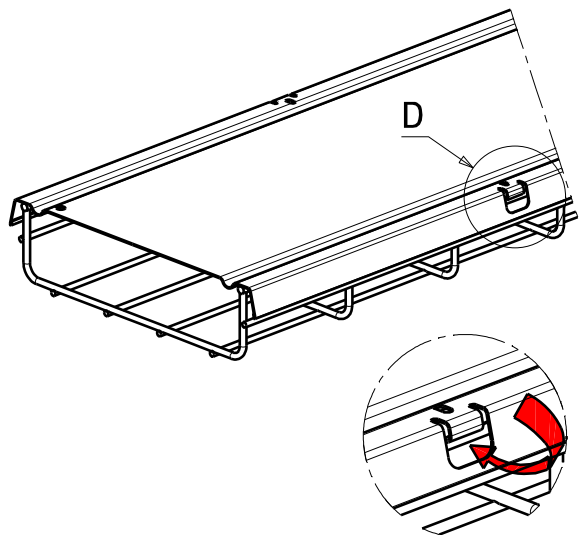
**COUVERCLE CP
CP COVER**

Reference(s) : 646010/13/14/18/20/23/24/28/30/33/
34/40/43/44/50/53/54/60/63/64/70/73/
74/80/83/84/90/93/94
350664/65/66/67/68/69/70/71/72

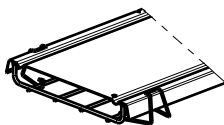
2. DIMENSIONS (mm/inch)



3. INSTALLATION

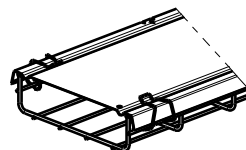


CLIP F01
(CF30)



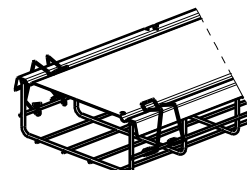
x3 / 1m
(x3 / 39.37")

CLIP F02
(CF54 - CF105 - CF150)



x3 / 1m
(x3 / 39.37")

CLIP F03
(CF80)



x3 / 1m
(x3 / 39.37")