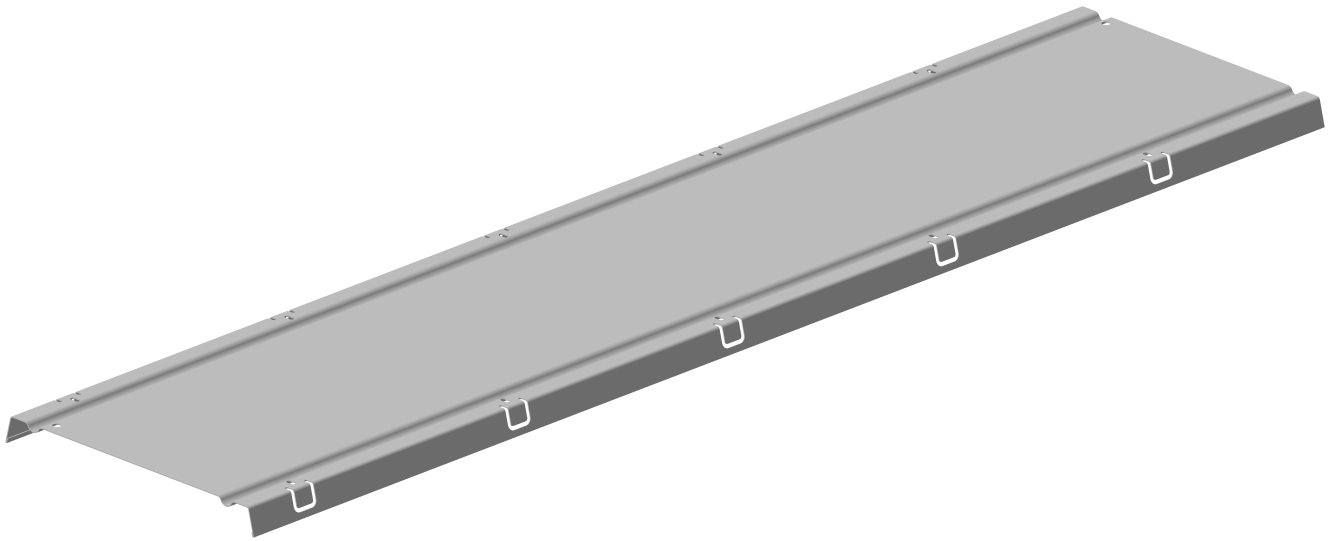


**COUVERCLE CVN  
CVN COVER**

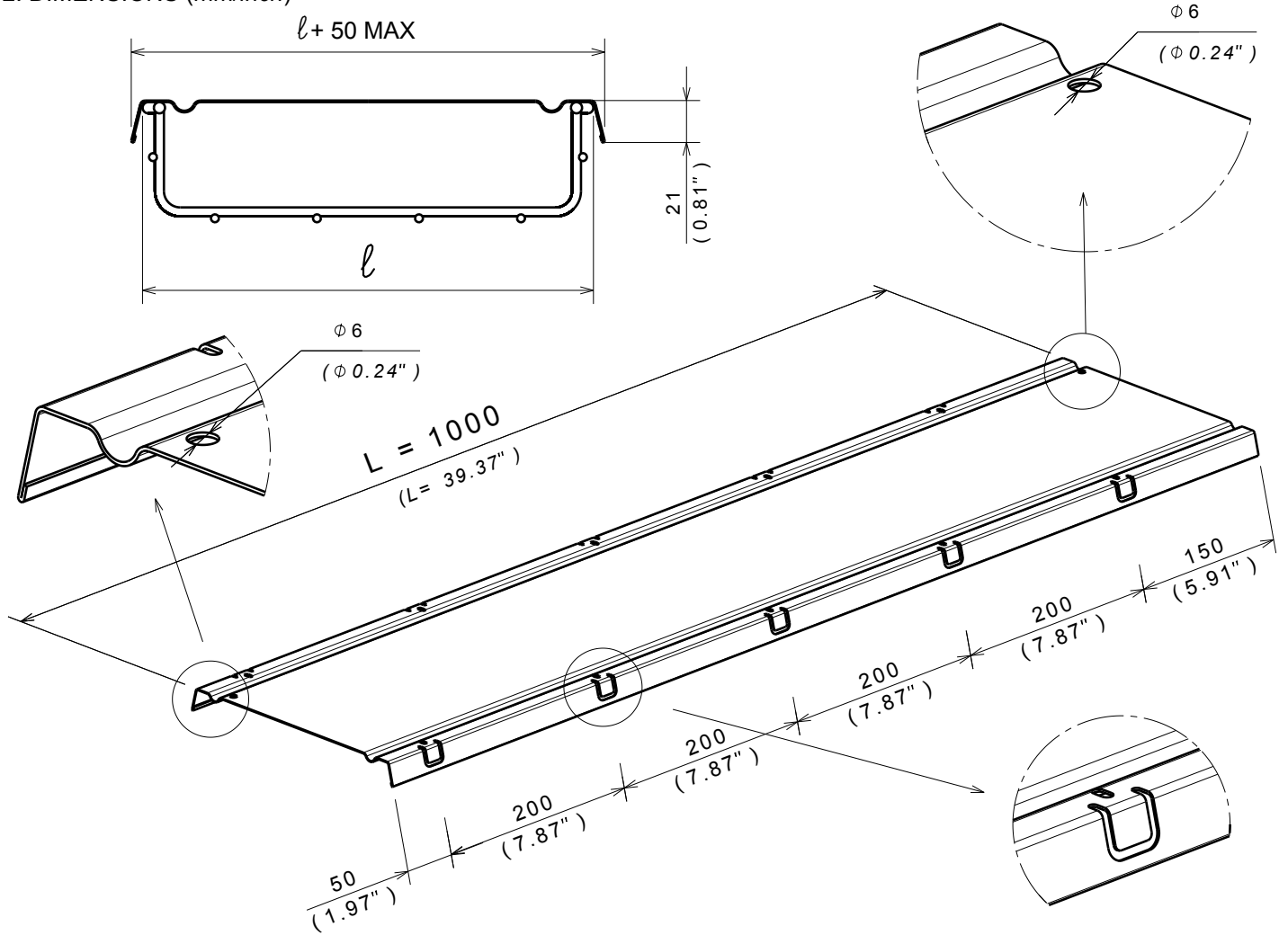
 Reference(s) : 629050/053/054/100/103/104/150/153/  
154/200/203/204/300/303/304/400/403/  
404/450/453/500/503/504/600/603/604

**1. GAMME / RANGE**

Designation	Code	Poids / Weight (kg) (lb)		Epaisseur / Thickness (mm) (inch)		ℓ (mm) (inch)		L (mm) (inch)	Matière / Material	Norme / Standard	Finition / Coating	Classe de résistance contre la corrosion / Resistance class against corrosion	
CVN 50 GS	629 050	0,614	1,354	0,6	0,024	71	2,795	1000	39,37	DX51D Z275	EN 10 346	GS/PG	Class 3 / IEC 61537
CVN 100 GS	629 100	0,854	1,883			121	4,764						
CVN 150 GS	629 150	1,094	2,412			171	6,732						
CVN 200 GS	629 200	1,334	2,941			221	8,701						
CVN 300 GS	629 300	1,819	4,010			322	12,677						
CVN 400 GS	629 400	3,084	6,799	0,75	0,030	425	16,732	1000	39,37	DX51D Z275	EN 10 346	GS/PG	Class 3 / IEC 61537
CVN 450 GS	629 450	3,405	7,507			475	18,701						
CVN 500 GS	629 500	3,725	8,212			525	20,669						
CVN 600 GS	629 600	4,365	9,623			625	24,606						
CVN 50 GC	629 053	0,657	1,448	0,6	0,024	71	2,795	1000	39,37	DC01	EN 10 130	GC/HDG	Class 6 / IEC 61537
CVN 100 GC	629 103	0,914	2,015			121	4,764						
CVN 150 GC	629 153	1,171	2,581			171	6,732						
CVN 200 GC	629 203	1,427	3,147			221	8,701						
CVN 300 GC	629 303	1,946	4,291			322	12,677						
CVN 400 GC	629 403	3,520	7,761	0,8	0,031	425	16,732	1000	39,37	DC01	EN 10 130	GC/HDG	Class 6 / IEC 61537
CVN 450 GC	629 453	3,886	8,568			475	18,701						
CVN 500 GC	629 503	4,252	9,374			525	20,669						
CVN 600 GC	629 603	4,982	10,983			625	24,606						
CVN 50 SS316L	629 054	0,629	1,386	0,6	0,024	71	2,795	1000	39,37	X2 Cr Ni Mo 17-12-2	EN 10 088-2	IN316L / SS316L	Class 9D / IEC 61537
CVN 100 SS316L	629 104	0,874	1,928			121	4,764						
CVN 150 SS316L	629 154	1,120	2,470			171	6,732						
CVN 200 SS316L	629 204	1,366	3,012			221	8,701						
CVN 300 SS316L	629 304	1,863	4,106			322	12,677						
CVN 400 SS316L	629 404	3,158	6,962	0,8	0,031	425	16,732	1000	39,37	X2 Cr Ni Mo 17-12-2	EN 10 088-2	IN316L / SS316L	Class 9D / IEC 61537
CVN 450 SS316L	629 454	3,719	8,199			475	18,701						
CVN 500 SS316L	629 504	3,814	8,409			525	20,669						
CVN 600 SS316L	629 604	4,470	9,854			625	24,606						
CVN 50 SS304L	629 058	0,629	1,386	0,6	0,024	71	2,795	1000	39,37	X2 Cr Ni 18-9	EN 10 088-2	IN304L / SS304L	Class 9C / IEC 61537
CVN 100 SS304L	629 108	0,874	1,928			121	4,764						

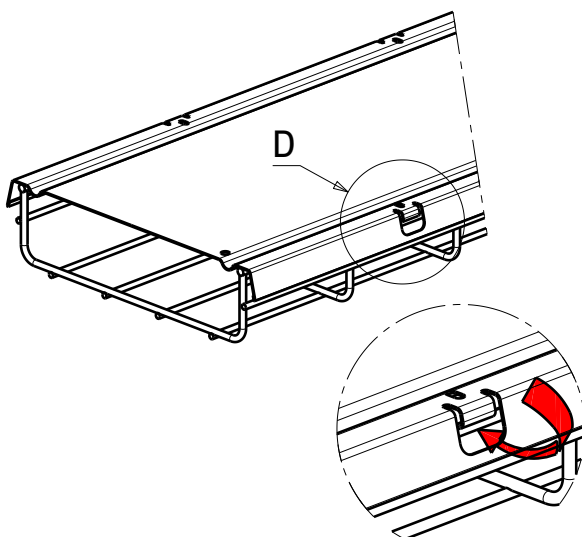
**COUVERCLE CVN  
CVN COVER**

Reference(s) : 629050/053/054/58/100/103/104/108/150/  
153/154/200/203/204/300/303/304/400/403/  
404/450/453/454/500/503/504/600/603/604

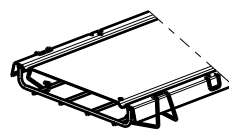
**2. DIMENSIONS (mm/inch)**



**3. INSTALLATION**

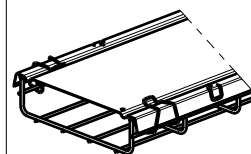


**CLIP F01**  
(CF30)



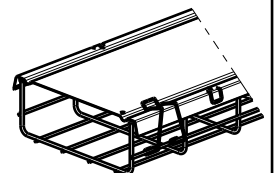
x3 / 1m  
(x3 / 39.37")

**CLIP F02**  
(CF54 - CF105 - CF150)



x3 / 1m  
(x3 / 39.37")

**CLIP F03**  
(CF80)



x3 / 1m  
(x3 / 39.37")