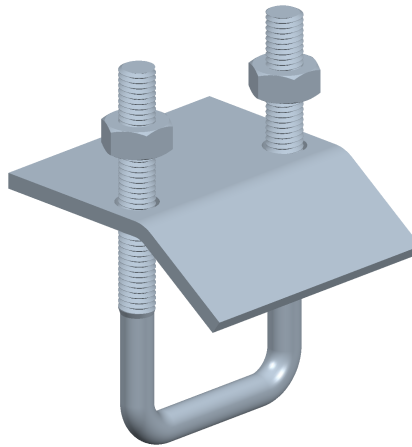
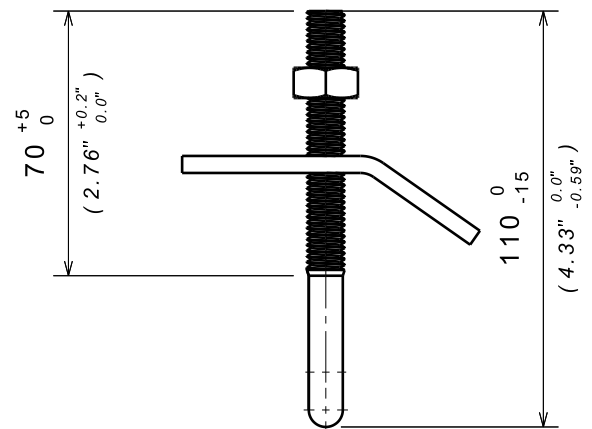
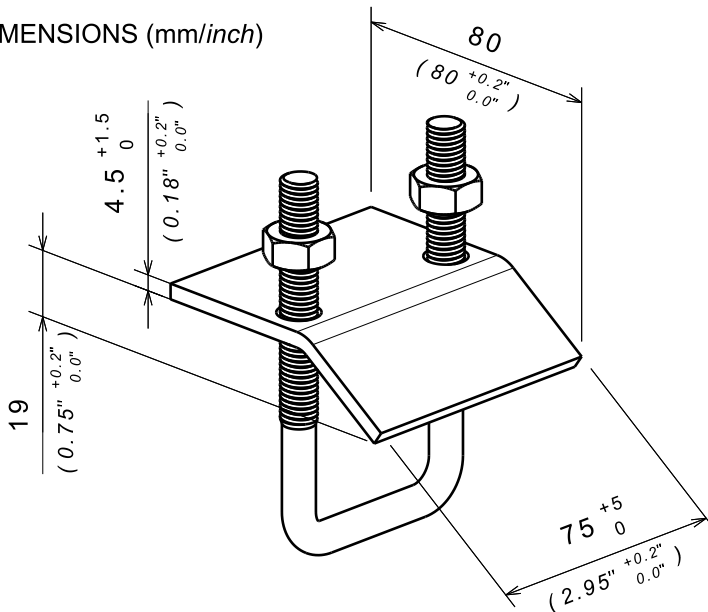
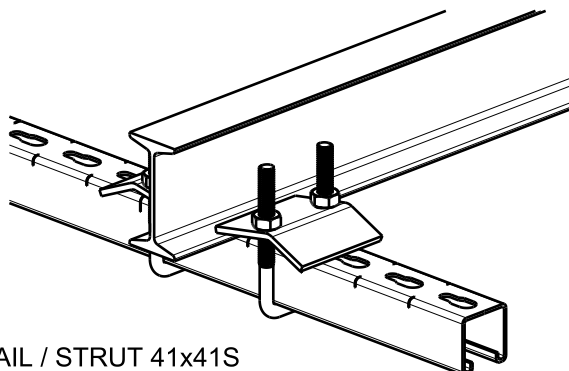


**CRAPAUD CLMP1 A ETRIER
CLAMP CLMP1 WITH U BOLT**

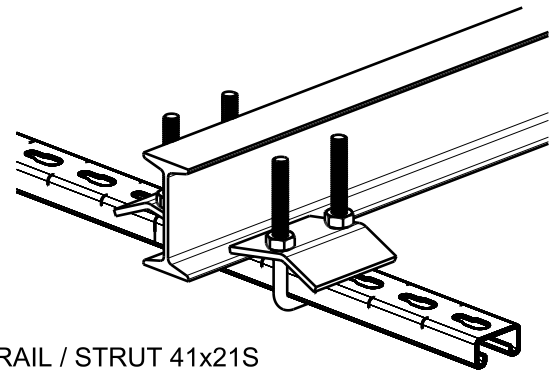
Reference(s) : 559 023 - 559 024


1. GAMME / RANGE

| Designation | Code | Poids / Weight (Kg) (lb) | | Composant / Component | Matière / Material | Classe / Class | Norme / Standard | Finition / Coating | Classe de résistance contre la corrosion/ Resistance class against corrosion |
|-------------|---------|-----------------------------|-------|-----------------------|-----------------------|-------------------|---------------------|-----------------------|--|
| CLMP1 GC | 559 023 | 0.436 | 0.961 | PLATE CG | S235JR | - | EN 10025-2 | GC / HDG | Class 6 / IEC 61537 |
| | | | | STIRRUP ZnL ou/or HDG | - | 8 | ISO 898-1 | | |
| | | | | NUT ZnL ou/or HDG | - | 8 | ISO 898-2 | | |
| CLMP1 316L | 559 024 | 0.406 | 0.895 | PLATE 316L | X2 Cr Ni Mo 17-12-2 | - | EN 10088-2 | IN316L / SS316L | Class 9D / IEC 61537 |
| | | | | STIRRUP 316L | - | A4-70 | ISO 3506-1 | | |
| | | | | NUT 316L | - | Grade A | ISO 3506-2 | | |

2. DIMENSIONS (mm/inch)

3. INSTALLATION / MOUNTING


RAIL / STRUT 41x41S



RAIL / STRUT 41x21S