

PENDARD P41S P41S HANGER

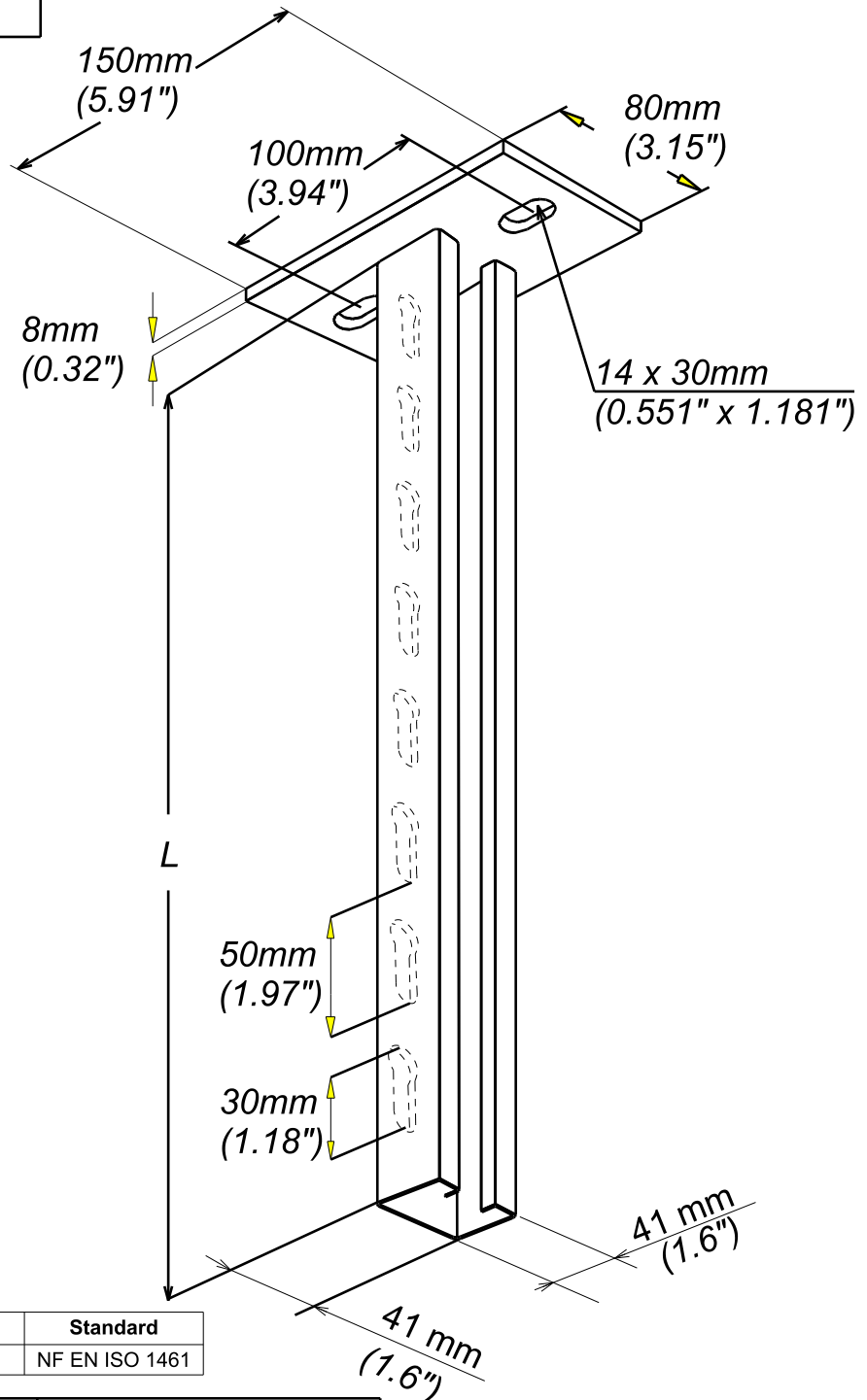
GC
HDG



CABLE
MANAGEMENT

FT0131-3

03 17



Material	Standard	Finishes	Standard
S 235 JR	EN 10025	Hot dip galvanized	NF EN ISO 1461

REF	CODE	L _(mm)	L _(inch)	POIDS _(kg)	/ WEIGHT _(lb)
P41S 300	595 153	300	11.811	1.250	2.760
P41S 400	595 163	400	15.748	1.660	3.660
P41S 500	595 103	500	19.685	2.080	4.590
P41S 600	595 173	600	23.622	2.340	5.160
P41S 800	595 113	800	31.496	3.120	6.880
P41S 1000	595 123	1000	39.370	3.900	8.600
P41S 1500	595 133	1500	59.055	5.850	12.900
P41S 2000	595 143	2000	78.740	7.800	17.200

EPAISSEUR / THICKNESS
2.5 / 0.1"