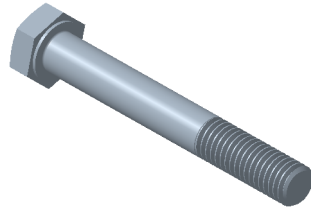
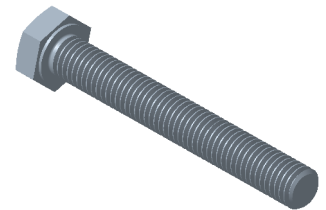
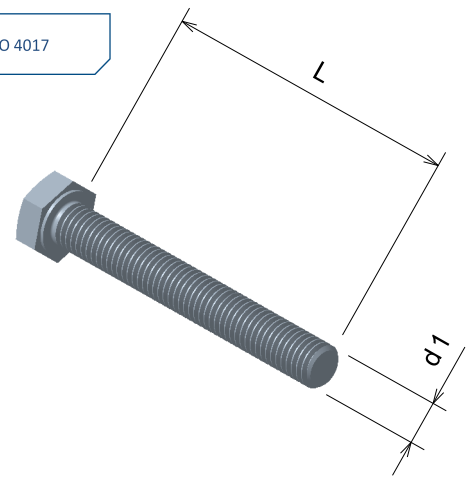
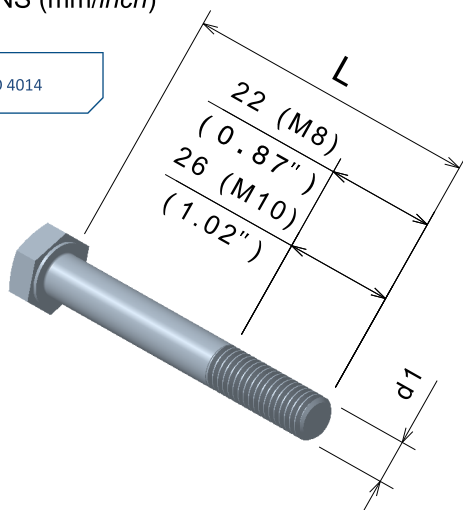


**VIS VHM
VHM SCREW**

 Reference(s) : 801 301/21/23/24/31/41/61
 801 401/04/11/14/21/24/31/43/53/61/64/71/74/
 350 436/37/38/39/40/41/42/43/44/45/46/47

VHM PF

VHM
1. GAMME / RANGE

Designation	Code	Type	Poids / Weight (Kg) (lb)		L (mm) (inch)		d1	Classe / Class	Norme / Standard	Finition / Coating	Classe de résistance contre la corrosion/ Class for resistance against corrosion				
VHM6x12 ZnNi	350 436	EN ISO 4017	0.0055	0.012	12	0,787	M6	6.8	ISO 898-1	ZnNi	Class 8 / IEC 61537				
VHM6x20 EZ	801 301		0.0075	0.017	20				ISO 898-1	EZ	Class 1 / IEC 61537				
VHM6x20 ZnNi	350 437		0.0137	0.030	20				0,787	M8	6.8	ISO 898-1	ZnNi	Class 8 / IEC 61537	
VHM8x20 EZ	801 321											ISO 898-1	EZ	Class 1 / IEC 61537	
VHM8x20 ZnL	801 323											ISO 898-1	ZnL	Class 6 / IEC 61537	
VHM8x20 316L	801 324											A4	ISO 3506-1	IN316L / SS316L	Class 9D / IEC 61537
VHM8x20 ZnNi	350 438					ISO 898-1	ZnNi	Class 8 / IEC 61537							
VHM8x25 EZ	801 331					0.0149	0.033	25				0,984	6.8	ISO 898-1	EZ
VHM8x30 ZnL	801 443		0.0157	0.035	30	1,181	M8	6.8	ISO 898-1	ZnL	Class 6 / IEC 61537				
VHM8x30 ZnNi	350 440								ISO 898-1	ZnNi	Class 8 / IEC 61537				
VHM8x40 EZ	801 341								ISO 898-1	EZ	Class 1 / IEC 61537				
VHM8x40 ZnNi	350 441								ISO 898-1	ZnNi	Class 8 / IEC 61537				
VHM8x60 PF ZnL	801 453	0.0305							0.067	60	2,362	8.8	ISO 898-1	ZnL	Class 6 / IEC 61537
VHM8x60 ZnNi	350 442	EN ISO 4017							EN ISO 4017	6.8	ISO 898-1	ZnNi	Class 8 / IEC 61537		
VHM10x20 EZ	801 361	EN ISO 4017	0.024	0.053	20	0,787	M10	ISO 898-1	EZ	Class 1 / IEC 61537					
VHM10x25 ZnNi	350 439		0.027	0.060	25			ISO 898-1	ZnNi	Class 8 / IEC 61537					
VHM10x70 EZ	801 431		0.055	0.121	70			2,756	ISO 898-1	EZ	Class 1 / IEC 61537				
VHM10x70 PF ZnNi	340 443	EN ISO 4014				EN ISO 4014			6.8	ISO 898-1	ZnNi	Class 8 / IEC 61537			
VHM12x25 EZ	801 401	EN ISO 4017				0.039			0.086	25	0,984	M12	ISO 898-1	EZ	Class 1 / IEC 61537
VHM12x25 316L	801 404		A4	ISO 3506-1	IN316L / SS316L			Class 9D / IEC 61537							
VHM12x25 ZnNi	350 444		ISO 898-1	ZnNi	Class 8 / IEC 61537										
VHM12x30 EZ	801 411		ISO 898-1	EZ	Class 1 / IEC 61537										
VHM12x30 316L	801 414		0.044	0.097	30		1,181	A4					ISO 3506-1	IN316L / SS316L	Class 9D / IEC 61537
VHM12x50 EZ	801 421		ISO 898-1	EZ	Class 1 / IEC 61537										
VHM12x50 316L	801 424		0.060	0.132	50	1,969	A4	ISO 3506-1	IN316L / SS316L	Class 9D / IEC 61537					
VHM12x50 ZnNi	350 445						ISO 898-1	ZnNi	Class 8 / IEC 61537						
VHM12x70 EZ	801 461						ISO 898-1	EZ	Class 1 / IEC 61537						
VHM12x70 316L	801 464						0.078	0.172	70	2,756	A4	ISO 3506-1	IN316L / SS316L	Class 9D / IEC 61537	
VHM12x70 ZnNi	350 446						ISO 898-1	ZnNi	Class 8 / IEC 61537						
VHM12x110 EZ	801 471						ISO 898-1	EZ	Class 1 / IEC 61537						
VHM12x110 316L	801 474	0.114	0.0131	110	4,331	A4	ISO 3506-1	IN316L / SS316L	Class 9D / IEC 61537						
VHM12x110 ZnNi	350 447					ISO 898-1	ZnNi	Class 8 / IEC 61537							

2. DIMENSIONS (mm/inch)


VIS VHM
VHM SCREW

Reference(s) : 801 301/21/23/24/31/41/61
801 401/04/11/14/21/24/31/43/53/61/64/71/74/
350 436/37/38/39/40/41/42/43/44/45/46/47



E41 M6->12



EE8NYL



HM 6->12



RM 6->12

3. INSTALLATION

