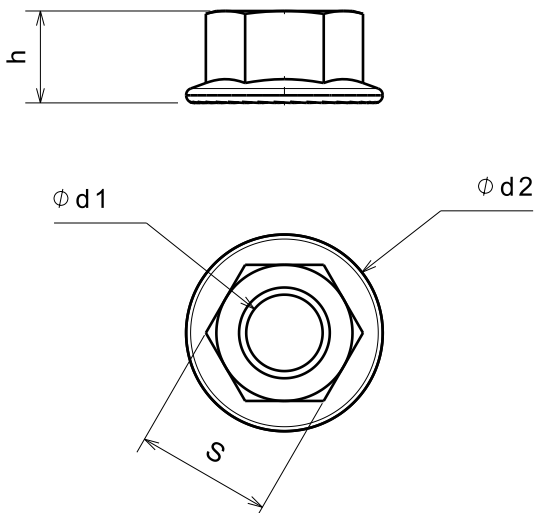


**ECROU A EMBASE CRANTEE - EEC
EEC - COLLAR NUT**

 Reference(s) : 801 201/04/11/13/21/31
350 405/06/07/08

1. GAMME / RANGE

| Designation | Code | Poids / Weight (Kg) / (lb) | | Classe / Class | Norme / Standard | Finition / Coating | Classe de résistance contre la corrosion / Resistance class against corrosion |
|--------------|---------|-------------------------------|-------|-------------------|---------------------|-----------------------|--|
| | | | | | | | |
| EEC M6 EZ | 801 201 | 0.004 | 0.009 | 8 | ISO 898-2 | EZ | Class 1 / IEC 61537 |
| EEC M6 316L | 801 204 | | | A4-80 | ISO 3506-2 | IN316L / SS316L | Class 9D / IEC 61537 |
| EEC M6 ZnNi | 350 405 | | | 8 | ISO 898-2 | ZnNi | Class 8 / IEC 61537 |
| EEC M8 EZ | 801 211 | 0.008 | 0.018 | 8 | ISO 898-2 | EZ | Class 1 / IEC 61537 |
| EEC M8 ZnL | 801 213 | | | 8 | ISO 898-2 | ZnL | Class 6 / IEC 61537 |
| EEC M8 ZnNi | 350 406 | | | 8 | ISO 898-2 | ZnNi | Class 8 / IEC 61537 |
| EEC M10 EZ | 801 221 | 0.013 | 0.029 | 8 | ISO 898-2 | EZ | Class 1 / IEC 61537 |
| EEC M10 ZnNi | 350 407 | | | 8 | ISO 898-2 | ZnNi | Class 8 / IEC 61537 |
| EEC M12 EZ | 801 231 | 0.022 | 0.049 | 8 | ISO 898-2 | EZ | Class 1 / IEC 61537 |
| EEC M12 ZnNi | 350 408 | | | 8 | ISO 898-2 | ZnNi | Class 8 / IEC 61537 |

2. DIMENSIONS (mm/inch)


| Designation | d1 | d2 | | h | | S | |
|-------------|-----|------|--------|------|--------|------|--------|
| | | (mm) | (inch) | (mm) | (inch) | (mm) | (inch) |
| EEC M6 | M6 | 14.2 | 0.56 | 6 | 0.24 | 10 | 0.39 |
| EEC M8 EZ | M8 | 18 | 0.71 | 8 | 0.31 | 13 | 0.51 |
| EEC M10 EZ | M10 | 22 | 0.87 | 10 | 0.39 | 15 | 0.59 |
| EEC M12 EZ | M12 | 26 | 1.02 | 12 | 0.47 | 18 | 0.71 |