

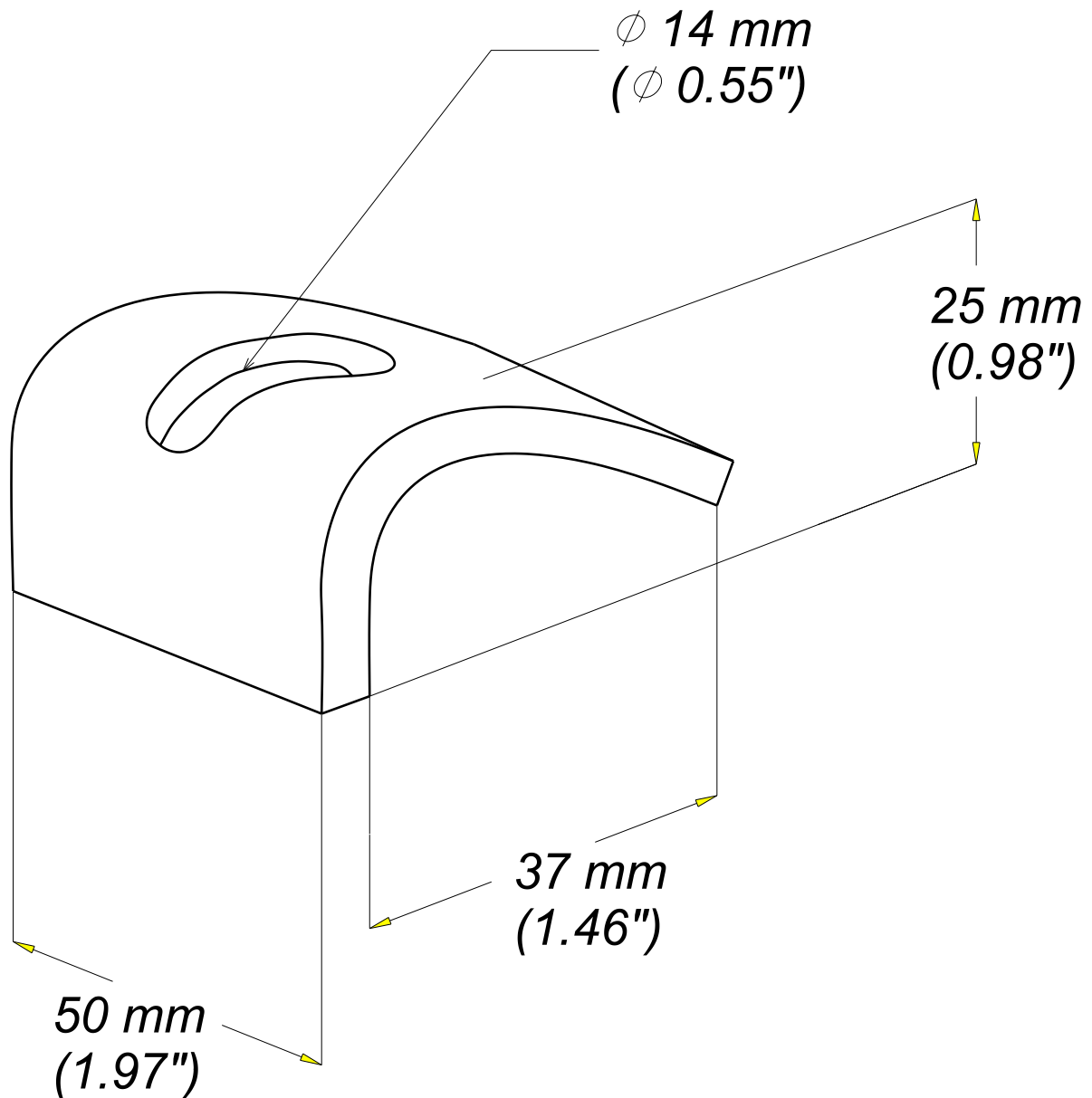
CALE DE FIXATION CFU
CFU ATTACHMENT CLAMP

GC
HDG

legrand | CABLE
MANAGEMENT

FT0208-3

04 16



REF	CODE	POIDS / WEIGHT <small>(kg) (lb)</small>	
CFU	559 063	0.160	0.353

EPAISSEUR / THICKNESS 6 / 0.24"	NORMES / STANDARD
MATIERE / MATERIAL S235 JR	EN 10025-2
PROTECTION / COATING GC / HDG	Class 6 according to CEI 61537