

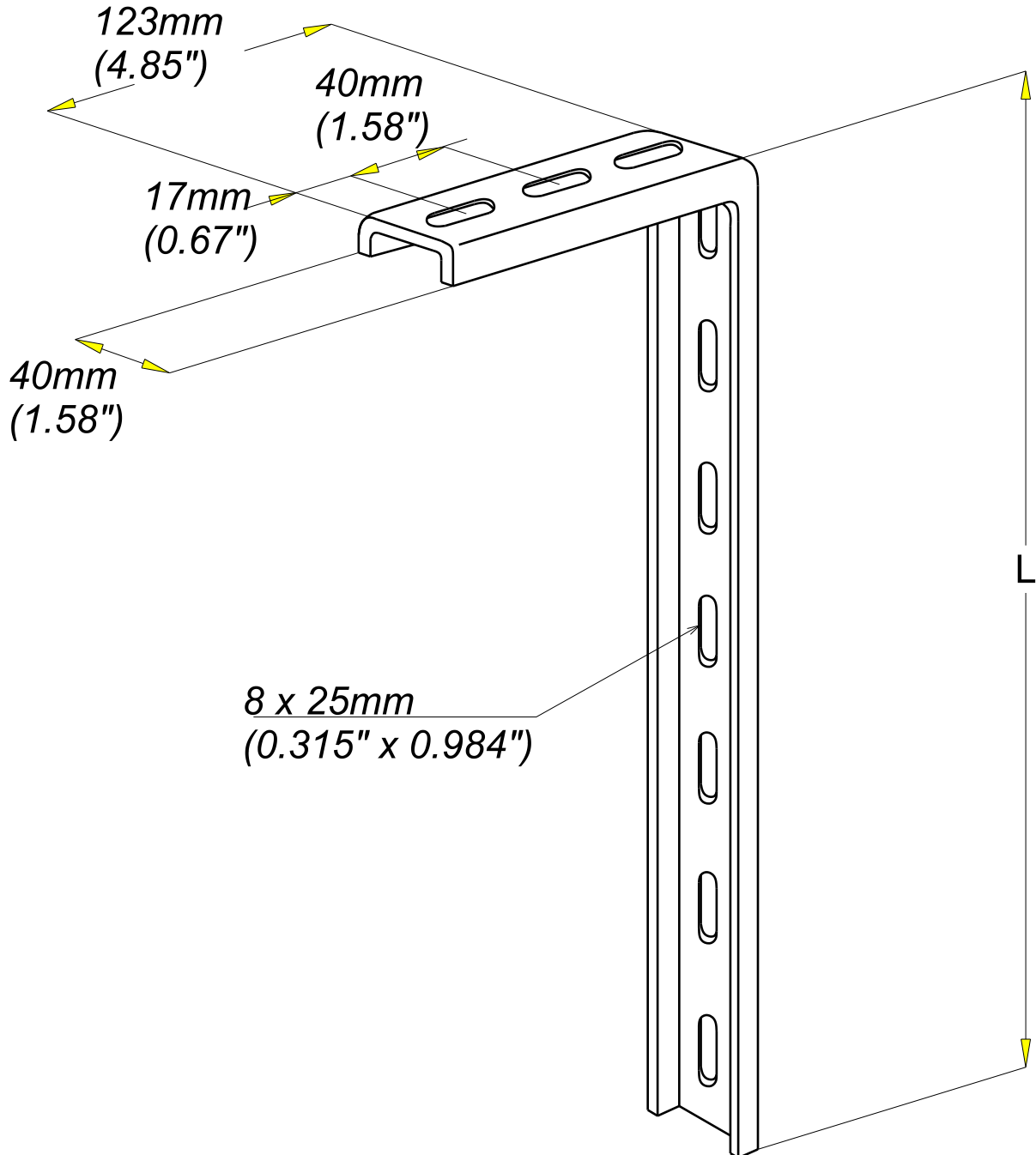
PENDARD PL
PL HANGER

GS
CS

legrand | CABLE
MANAGEMENT

FT0231-0

02 16



REF	CODE	L (mm)	L (inch)	POIDS (kg)	/ WEIGHT (lb)
PL 1	522 340	363	14,291	0.430	0.949
PL 2	522 342	483	19,016	0.520	1.148

Material	Standard
DX51D Z 275 MAC	EN 10 346

EPAISSEUR / THICKNESS
1.75 / 0.07"