

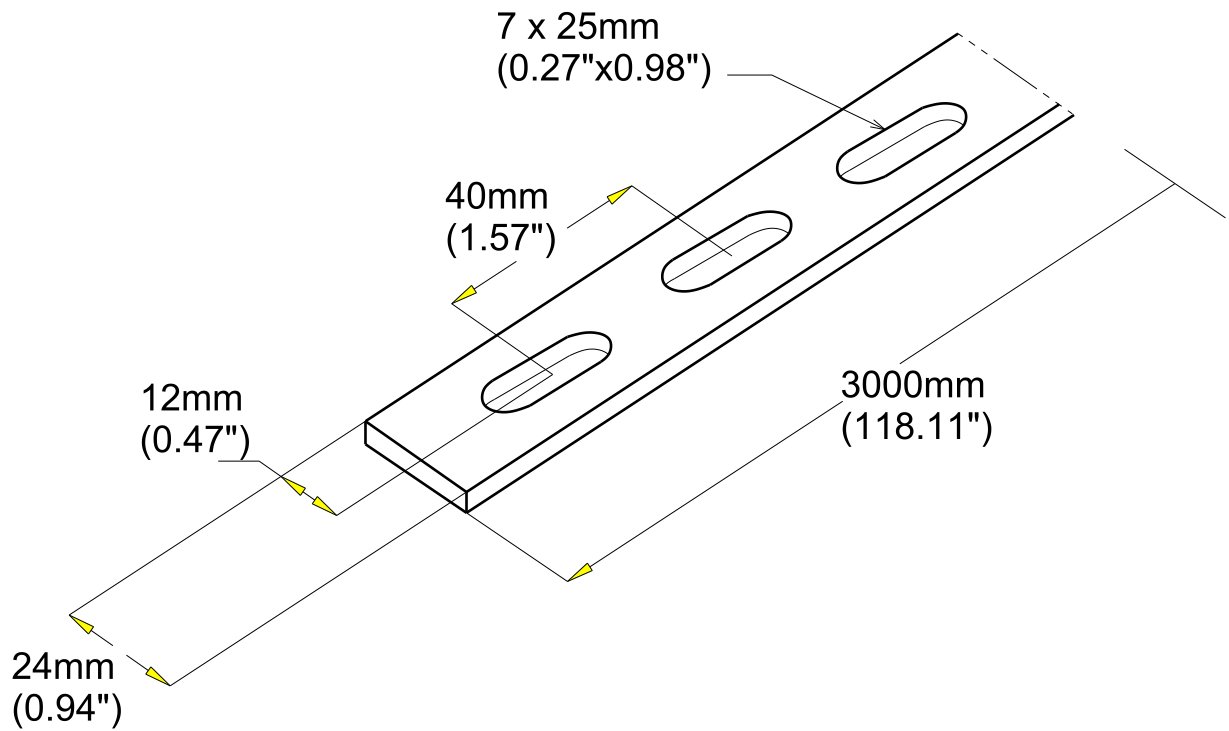
PROFIL PLAT PL24-175
 PL24-175 FLAT SECTION

GS
 PG

legrand | CABLE
 MANAGEMENT

FT0250-0

02 16



Material	Standard
DX51D Z 275 MAC	EN 10 346

REF	CODE	POIDS (Kg/m)	WEIGHT (lb/ft)
PL 24/175	524 100	0.280	0.188

EPAISSEUR / THICKNESS
1.75 / (0.07")