

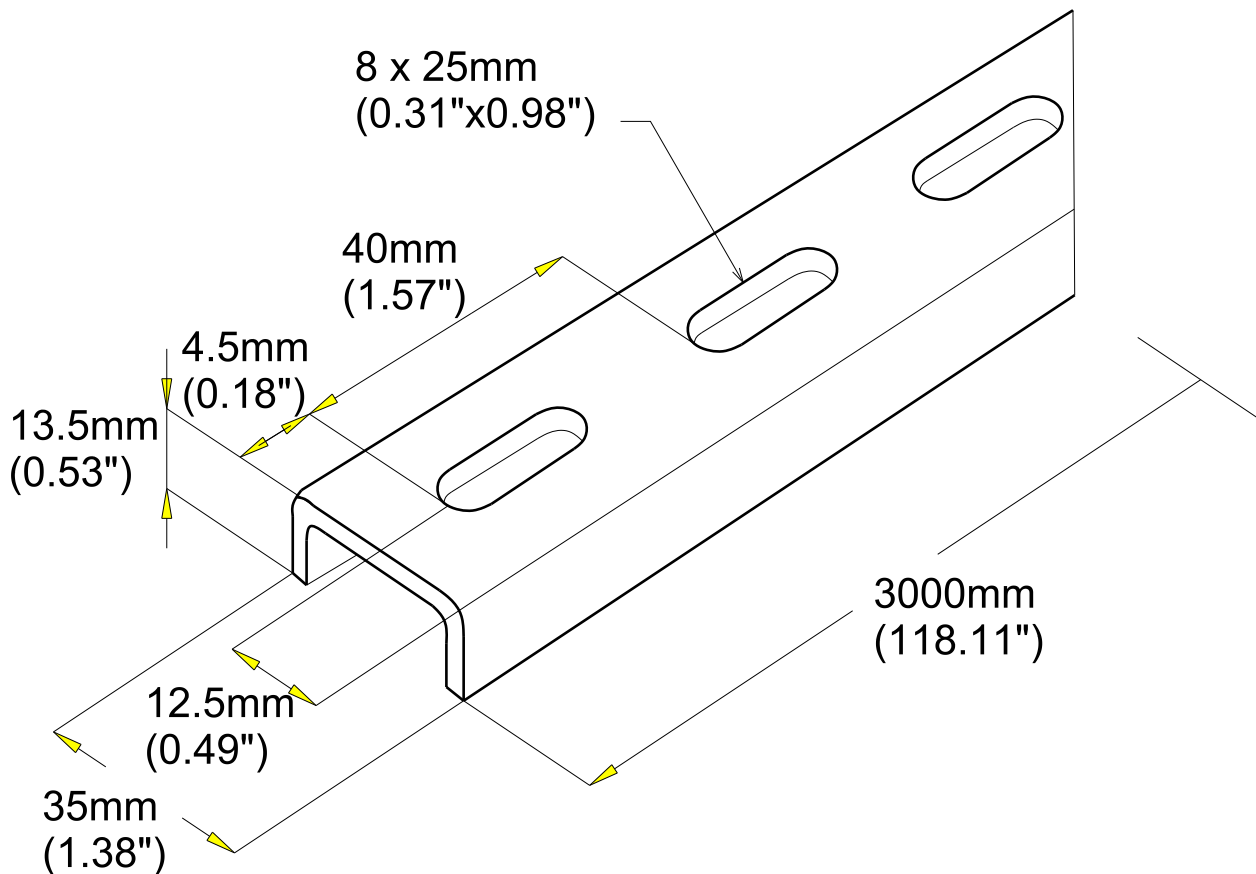
PROFIL U UBD 35  
U SECTION UBD 35

GS  
PG

**legrand** | CABLE  
MANAGEMENT

FT0256-0

03 16



Material	Standard
DX51D Z 275 MAC	EN 10 346

REF	CODE	POIDS (Kg/m)	WEIGHT (lb/ft)
UBD 35	524 141	0.700	0.471

EPAISSEUR / THICKNESS
1.75 / (0.07")