

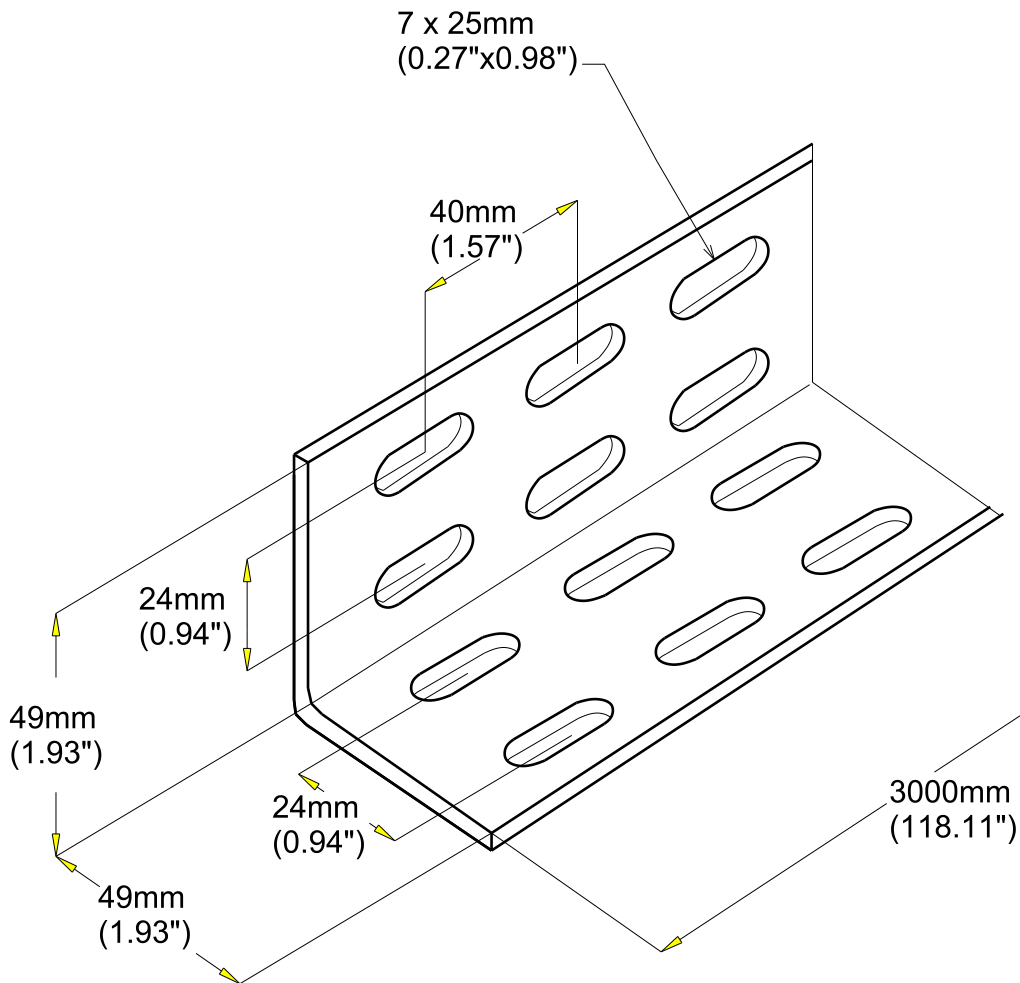
CORNIERE COR 48 / 48
COR 48 / 48 ANGLE

GC
HDG

legrand | CABLE
MANAGEMENT

FT0261-3

03 16



Material	Standard	Finishes	Standard
S235JR	EN 10025	Hot dip galvanized	EN ISO 1461

REF	CODE	POIDS (Kg/m)	WEIGHT (lb/ft)
COR 48/48	524 192	1.070	0.720

EPAISSEUR / THICKNESS
1.5 / (0.06")