

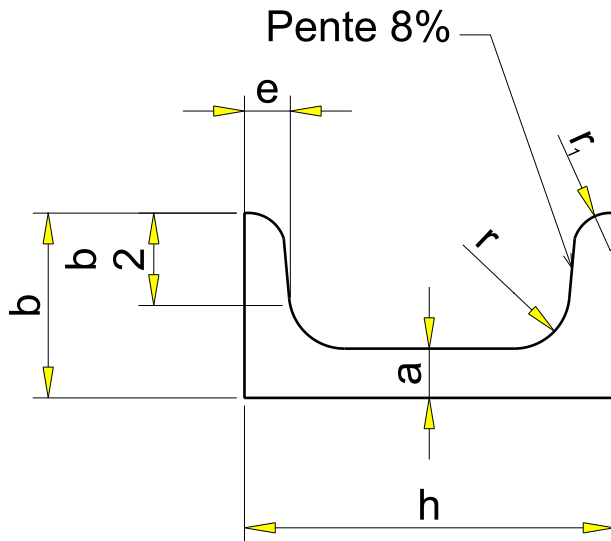
UPN PERFORE UPNP40  
UPNP40 SLOTTED UPN

GC  
HDG

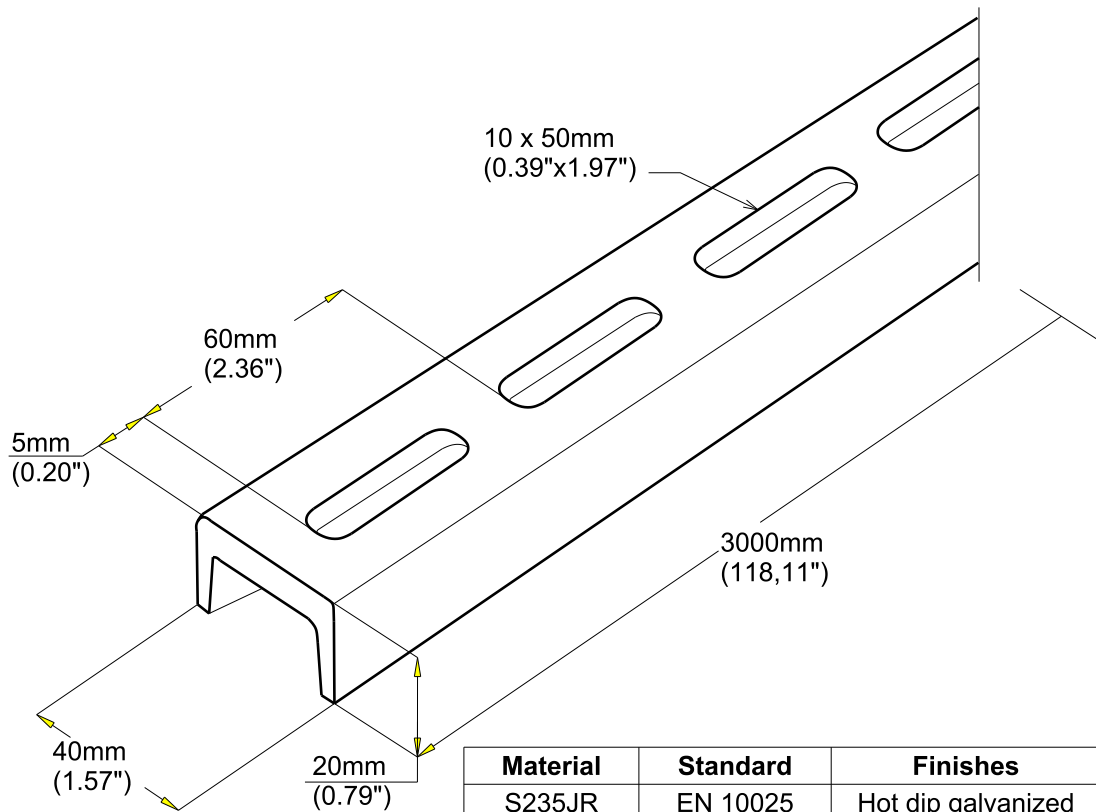
**legrand** | CABLE  
MANAGEMENT

FT0272-3

03 16



	Dimensions					
	h	b	a	e	r	r <sub>1</sub>
mm	40	20	5	5,5	5	2,5
inch	1.57	0.79	0.20	0.22	0.20	0.1



Material	Standard	Finishes	Standard
S235JR	EN 10025	Hot dip galvanized	EN ISO 1461

REF	CODE	POIDS (Kg/m)	WEIGHT (lb/ft)
UPNP 40	910 023	2.550	1.715

EPAISSEUR / THICKNESS
5 / (0.20")