

ECLISSE DROITE ED275
ED275 SPLICE BAR

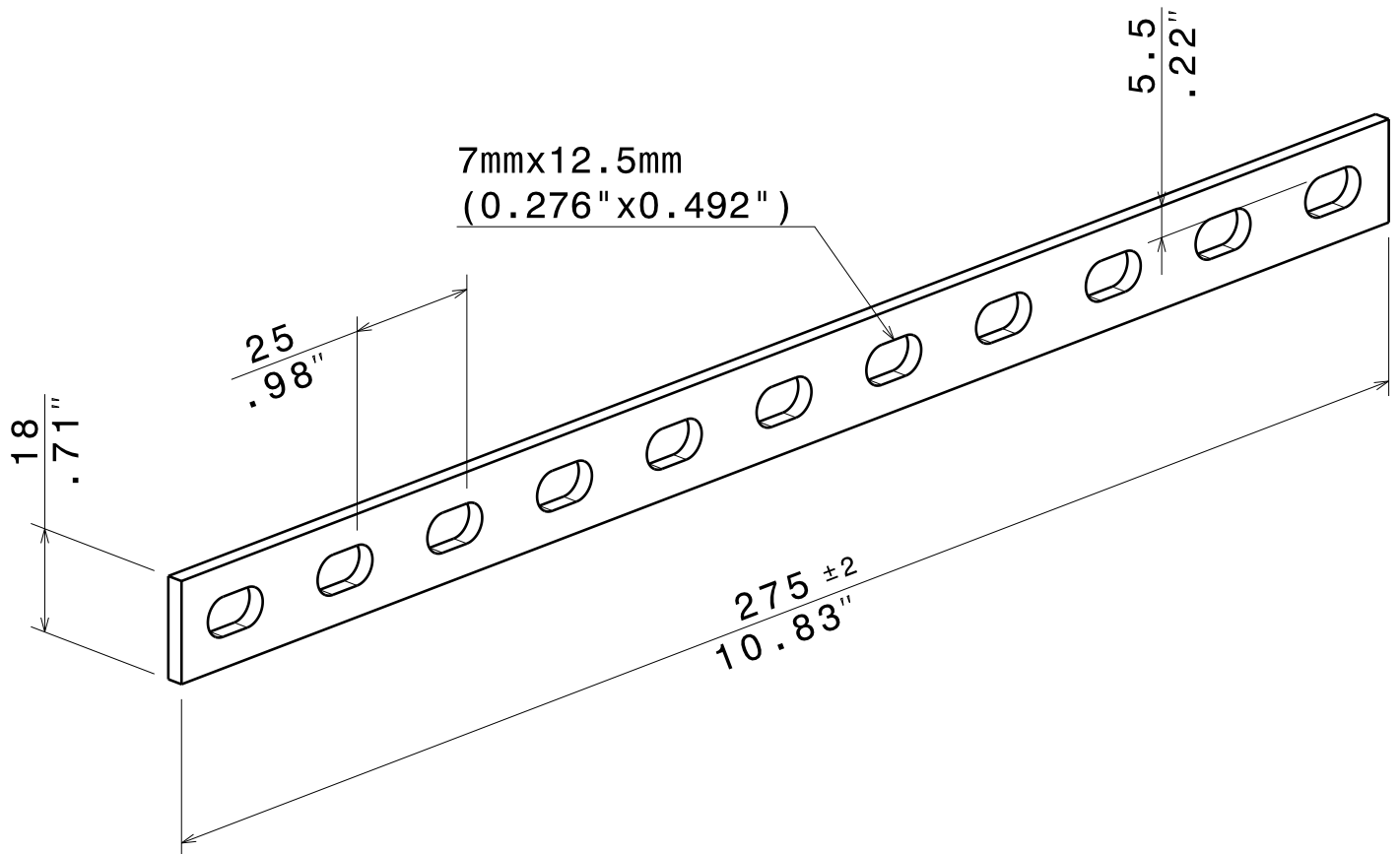
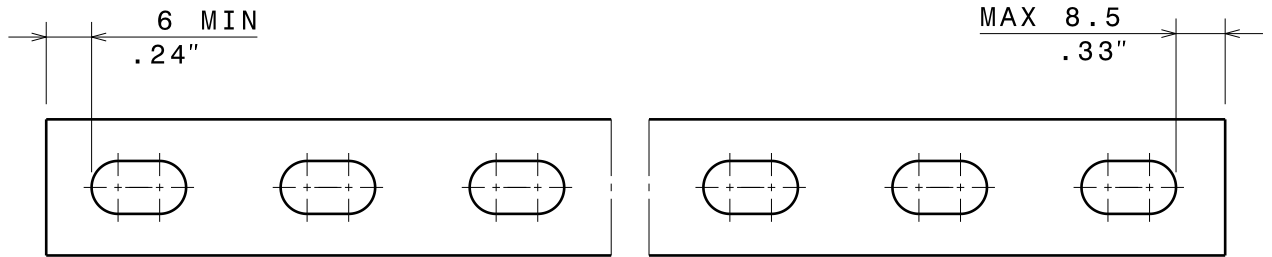
GC



**CABLE
 MANAGEMENT**

FT0300-3

04-16



| REF | CODE | POIDS / WEIGHT (Kg) / (lb) | EPAISSEUR / THICKNESS |
|--------|---------|-------------------------------|-----------------------|
| ED 275 | 558 223 | 0.140 / 0.064 | 3 / (0.118'') |

| Material | Standard |
|------------------|--------------------------------|
| S 235 JR | EN 10 025-2 |
| Finition Coating | Standard |
| GC / HDG | Class 6 according to CEI 61537 |

Propriété exclusive de LEGRAND, ne peut être ni copié, ni transmis à des tiers sans autorisation écrite.
 Exclusive property of LEGRAND shouldn't be reproduced or transmitted to any people without written authorization