

PROFIL BALANCELLE EDF300 ET 600
EDF300 AND 600 HANGING SECTION

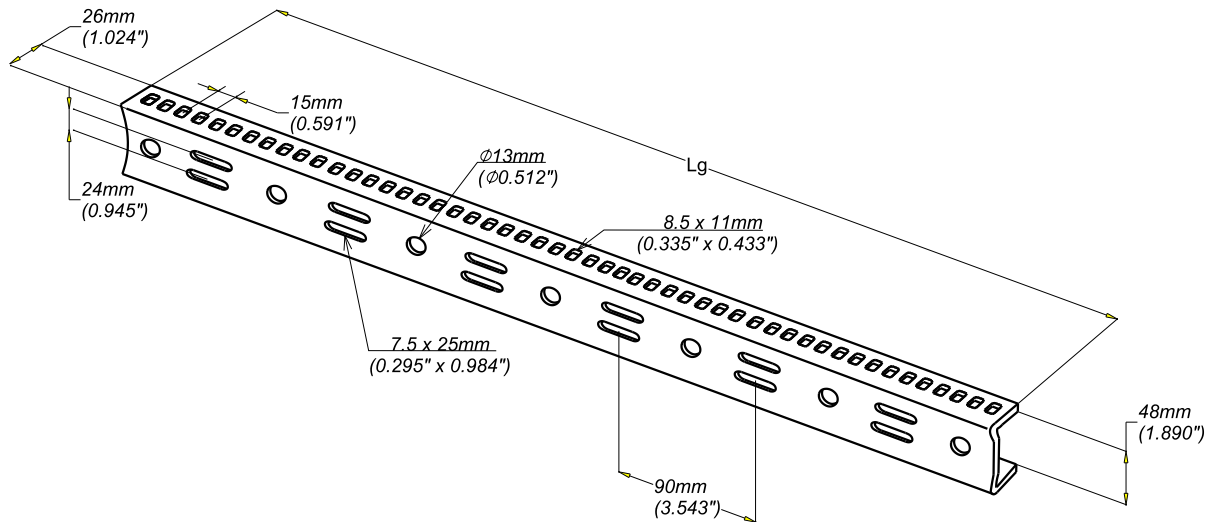
GC
HDG



CABLE
MANAGEMENT

FT0303-3

03 / 15



Material	Standard
S 235 JR	EN 10025-2
Finition Coating	Standard
GC / HDG	Class 6 according to CEI 61537

REF	CODE	POIDS (Kg)	WEIGHT (lb)	L (mm)	L (inch)	EPAISSEUR / THICKNESS
EDF300	561 313	0.480	1.056	270	10.63	2 (0.08")
EDF600	557 613	1.040	2.288	630	24.79	2 (0.08")