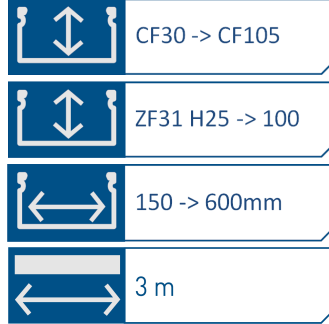
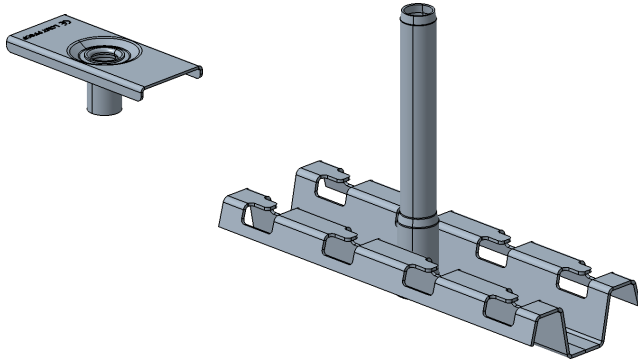


**SUSPENTE CENTRALE FAS
FAS CENTRAL HANGER**

Reference(s) : 586 200/300/400/450/500/600

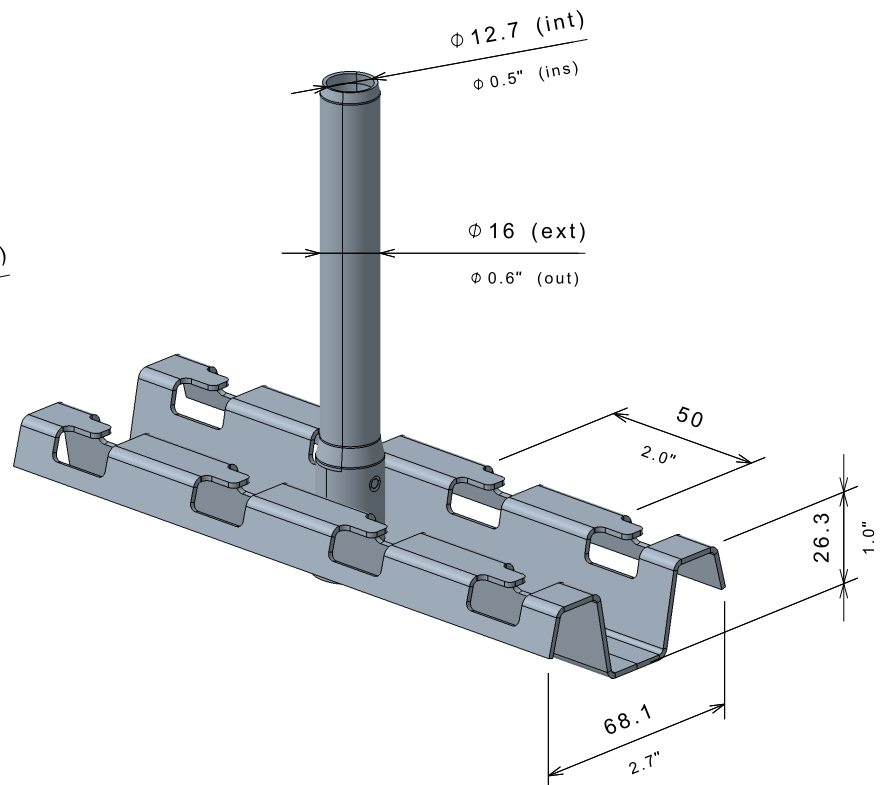
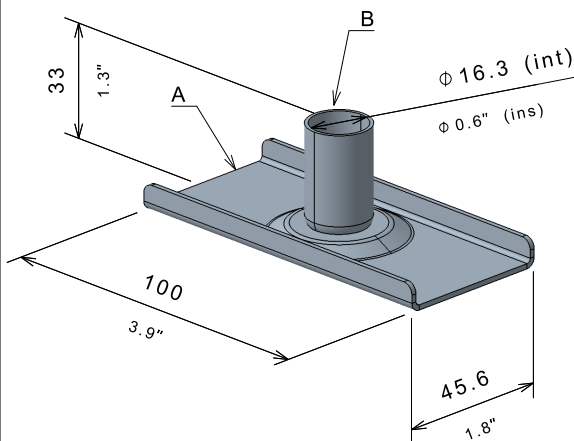
SCF150 to 600


1. RANGE

Designation	Code	Poids / Weight (Kg) (lb)		Epaisseur / Thickness (mm) (inch)		Matière / Material	Norme / Standard	Finition / Coating	Norme / Standard
SCF 200 GS	586 200	0.287	0.630	1,5	0.059"	DX 51 D Z275	EN 10 346	-	-
SCF 300 GS	586 300	0.405	0.890	1,5	0.059"	DX 51 D Z275	EN 10 346	-	-
SCF 400 GS	586 400	0.523	1.150	1,5	0.059"	DX 51 D Z275	EN 10 346	-	-
SCF 450 GS	586 450	0.582	1.280	1,5	0.059"	DX 51 D Z275	EN 10 346	-	-
SCF 500 GS	586 500	0.640	1.410	1,5	0.059"	DX 51 D Z275	EN 10 346	-	-
SCF 600 GS	586 600	0.758	1.670	1,5	0.059"	DX 51 D Z275	EN 10 346	-	-

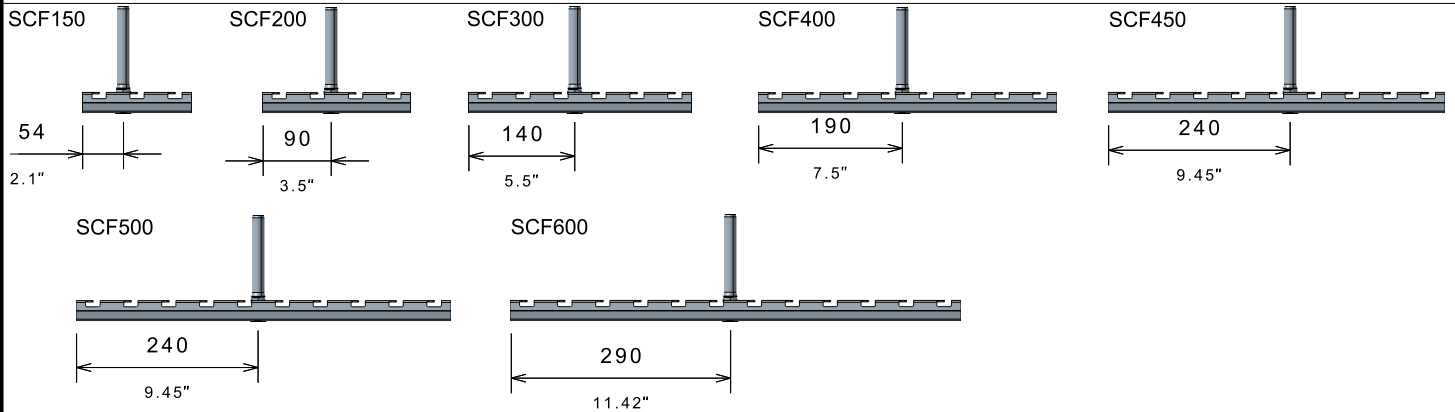
Designation	Code	Poids / Weight (Kg) (lb)		Epaisseur / Thickness (mm) (inch)		Matière / Material	Norme / Standard	Part Number	
PFSCF GS	586 210	0.063	0.139	1,5	0.059"	DX 51 D Z275	EN 10 346	A	
		0.014	0.031	1	0.039"	DD11	XPA 49 646 A3	B	

Designation	Code	Poids / Weight (Kg) (lb)		Epaisseur / Thickness (mm) (inch)		Matière / Material	Norme / Standard	Matière / Material	Norme / Standard
EXT-SCF H50 GS	586 810	0.029	0.095	1	0.039"	DC01 Am	EN 10 130	-	-
EXT-SCF H100 GS	586 820	0.048	0.157	1	0.039"	DC01 Am	EN 10 130	-	-
EXT-SCF H150 GS	586 830	0.066	0.215	1	0.039"	DC01 Am	EN 10 130	-	-
EXT-SCF H300 GS	586 840	0.131	0.427	1	0.039"	DC01 Am	EN 10 130	-	-

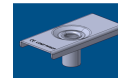
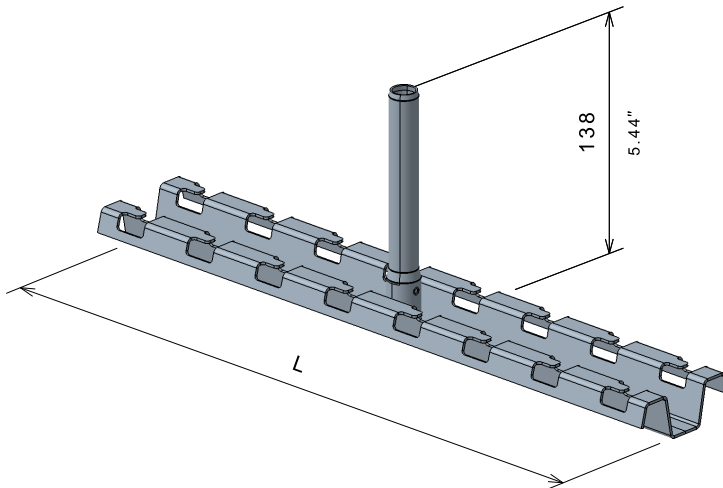
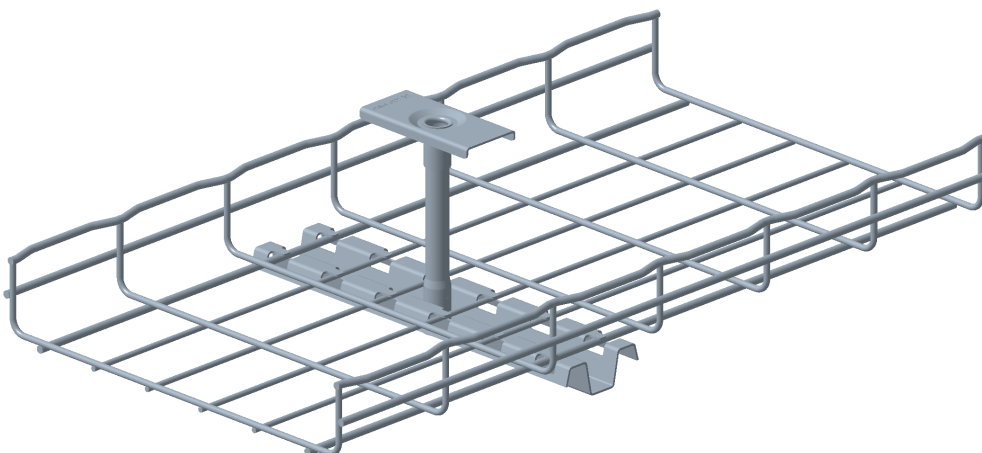
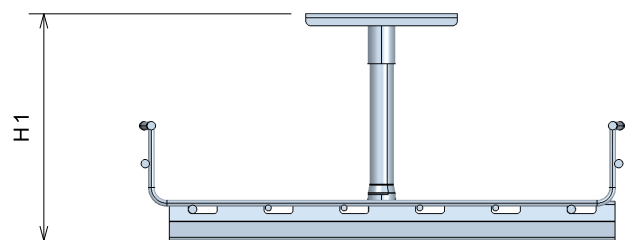
2. DIMENSIONS (mm/inch)


**SUSPENTE CENTRALE FAS
FAS CENTRAL HANGER**

Reference(s) : 586 200/300/400/450/500/600

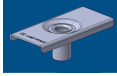

2. DIMENSIONS (mm/inch)

Designation	Code	L		H1	
		(mm)	(inch)	(mm)	(inch)
SCF150	942357	144	5.669	150	5.91
SCF200	586200	194	7.638	150	5.91
SCF300	586300	294	11.575	150	5.91
SCF400	586400	394	15.512	150	5.91
SCF450	586450	444	17.480	150	5.91
SCF500	586500	494	19.449	150	5.91
SCF600	586600	594	23.386	150	5.91

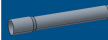

PFSCF


**SUSPENTE CENTRALE FAS
FAS CENTRAL HANGER**

Reference(s) : 586 200/300/400/450/500/600

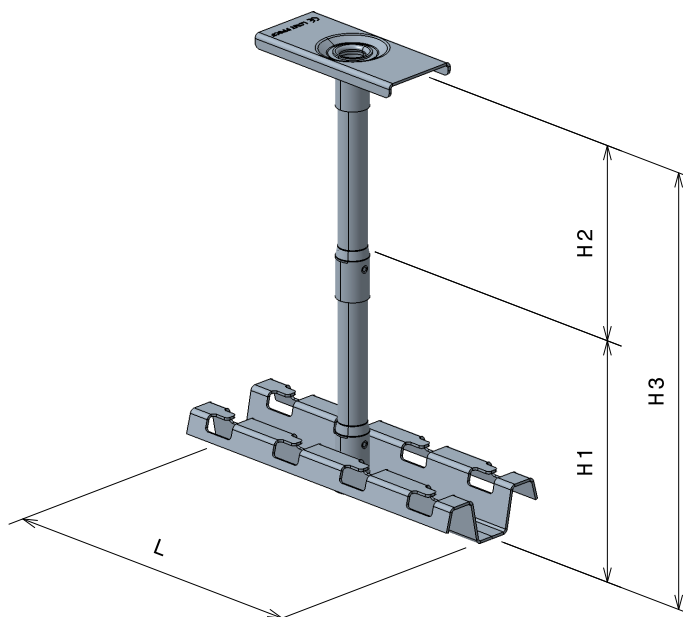

PFSCF

EXT50

EXT150

EXT100

EXT300
3. INSTALLATION

Designation	Code	Designation	Code	L		H1		H2		H3	
				(mm)	(inch)	(mm)	(inch)	(mm)	(inch)	(mm)	(inch)
SCF150	942357	EXT50	586810	144	5.669	150	5.91	50	1.96	200	7.87
		EXT100	586820					100	3.93	250	9.84
		EXT150	586830					150	5.91	300	11.81
		EXT300	586840					325	12.79	475	18.70
SCF200	586200	EXT50	586810	194	7.638	150	5.91	50	1.96	200	7.87
		EXT100	586820					100	3.93	250	9.84
		EXT150	586830					150	5.91	300	11.81
		EXT300	586840					325	12.79	475	18.70
SCF300	586300	EXT50	586810	294	11.575	150	5.91	50	1.96	200	7.87
		EXT100	586820					100	3.93	250	9.84
		EXT150	586830					150	5.91	300	11.81
		EXT300	586840					325	12.79	475	18.70
SCF400	586400	EXT50	586810	394	15.512	150	5.91	50	1.96	200	7.87
		EXT100	586820					100	3.93	250	9.84
		EXT150	586830					150	5.91	300	11.81
		EXT300	586840					325	12.79	475	18.70
SCF450	586450	EXT50	586810	444	17.480	150	5.91	50	1.96	200	7.87
		EXT100	586820					100	3.93	250	9.84
		EXT150	586830					150	5.91	300	11.81
		EXT300	586840					325	12.79	475	18.70
SCF500	586500	EXT50	586810	494	19.449	150	5.91	50	1.96	200	7.87
		EXT100	586820					100	3.93	250	9.84
		EXT150	586830					150	5.91	300	11.81
		EXT300	586840					325	12.79	475	18.70
SCF600	586600	EXT50	586810	594	23.386	150	5.91	50	1.96	200	7.87
		EXT100	586820					100	3.93	250	9.84
		EXT150	586830					150	5.91	300	11.81
		EXT300	586840					325	12.79	475	18.70



SUSPENTE CENTRALE FAS
FAS CENTRAL HANGER

Reference(s) : 586 200/300/400/450/500/600



EEC M8-10-12



RM 8-10-12



HM 8-10-12



TF 8-10-12

5. INSTALLATION

