

Couvercle P31 CO 400 à 600 3M
Cover tray P31 400 to 600 3M

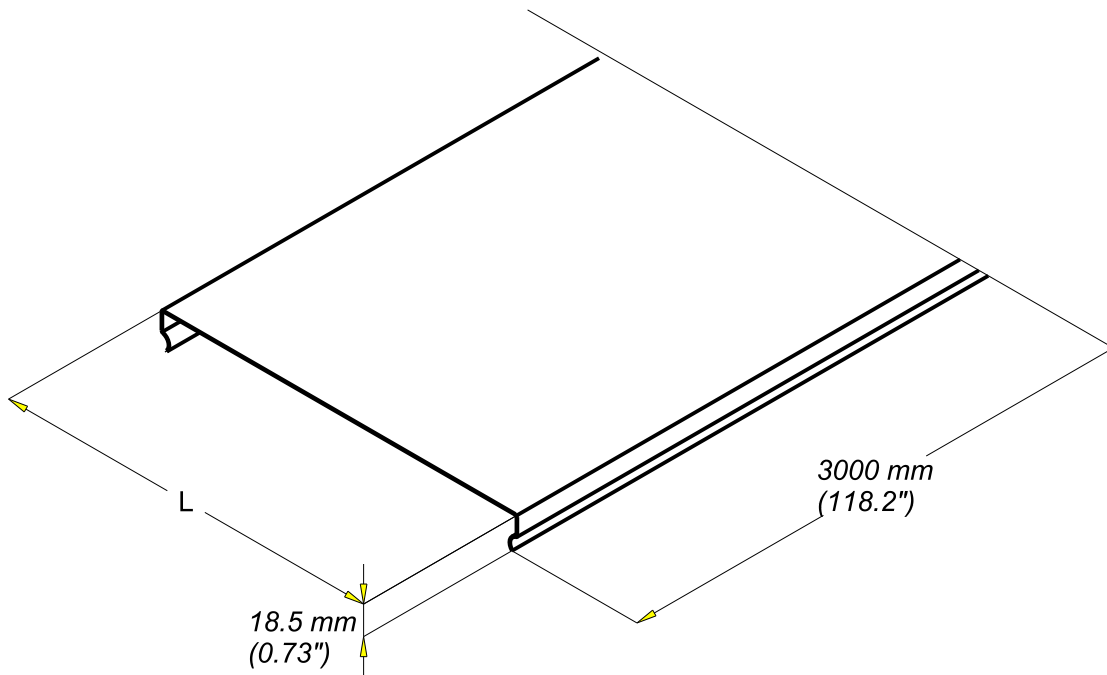
GC
HDG



CABLE
MANAGEMENT

FT0521-3

11 13



REF	CODE	POIDS / WEIGHT		L / L		EP. / TH.		NORMES / STANDARD
		(Kg/m)	(lb/ft)	(mm)	(inch)	(mm)	(inch)	
P31 CO 400	342 154	3.400	2.300	400	(15.75")	0.75	(0.030")	MATIERE / MATERIAL S 235 JR EN 10 025-2
P31 CO 500	342 155	4.300	2.888	500	(19.69")	0.75	(0.030")	
P31 CO 600	342 156	5.200	3.500	600	(23.62")	0.75	(0.030")	PROTECTION / COATING GC / HDG Class 6 according to CEI 61537