

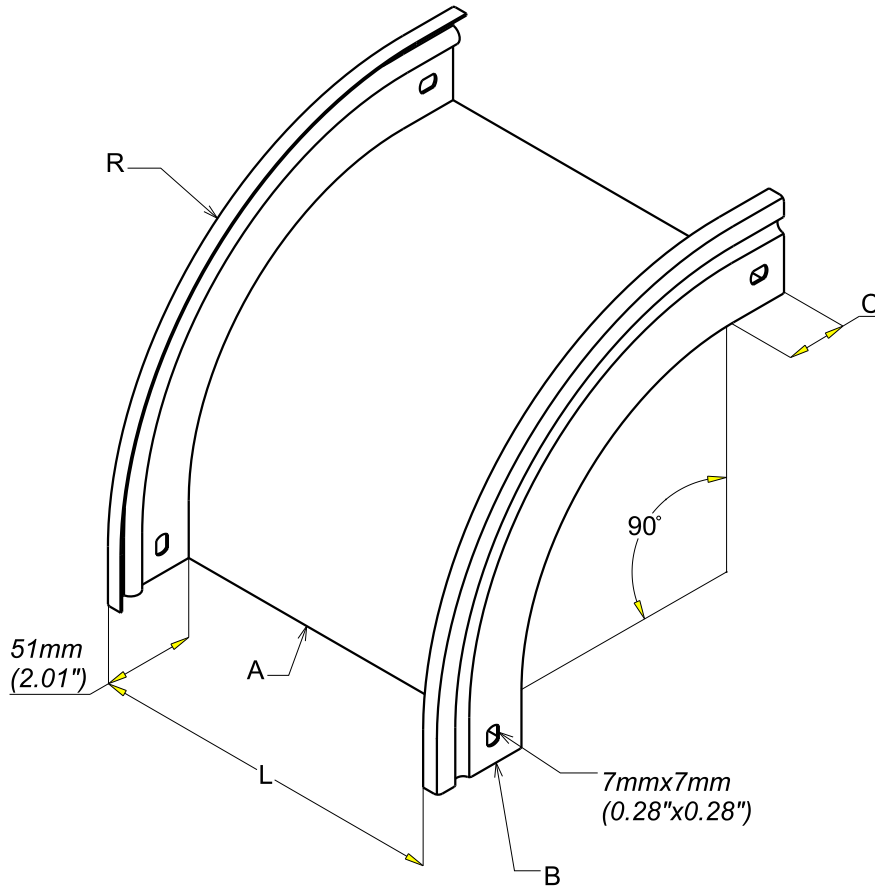
CHT PL CONV P31 OR H50 50 à 600
 Outside riser P31 50x50 to 600

GC
 HDG

legrand | CABLE
 MANAGEMENT

FT0532-3

10 16



REF	CODE	L /L (mm) (inch)	A /A (mm) (inch)	B /B (mm) (inch)	C /C (mm) (inch)	R /R (mm) (inch)
P31 OR 50x50	343 038	50 (1.97")	0.8 (0.032")	1 (0.039")	30 (1.18")	70 (2.75")
P31 OR 50x75	342 839	75 (2.92")	0.8 (0.032")	1 (0.039")	30 (1.18")	178 (7.01")
P31 OR 50x100	343 039	100 (3.94")	0.8 (0.032")	1 (0.039")	30 (1.18")	178 (7.01")
P31 OR 50x150	343 040	150 (5.91")	0.8 (0.032")	1 (0.039")	30 (1.18")	178 (7.01")
P31 OR 50x200	343 041	200 (5.91")	0.8 (0.032")	1 (0.039")	30 (1.18")	178 (7.01")
P31 OR 50x300	343 042	300 (7.87")	1 (0.039")	1 (0.039")	30 (1.18")	178 (7.01")
P31 OR 50x400	343 043	400 (11.81")	1 (0.039")	1 (0.039")	50 (1.97")	251 (9.89")
P31 OR 50x500	343 044	500 (19.69")	1 (0.039")	1 (0.039")	50 (1.97")	251 (9.89")
P31 OR 50x600	343 045	600 (23.62")	1 (0.039")	1 (0.039")	50 (1.97")	251 (9.89")

Material	Standard	Finishes	Standard
S 235 JR	EN 10 025-2	HDG	Class 6 according to CEI 61537