

DALLE P31 TP25 50 et 75
Tray P31 perf 25x50 and 75

GS / PG

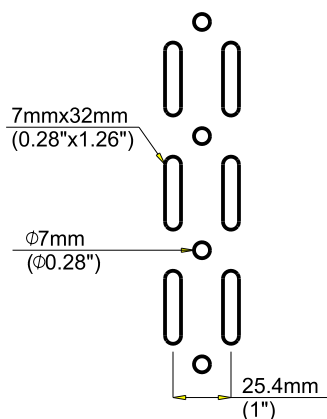


CABLE
MANAGEMENT

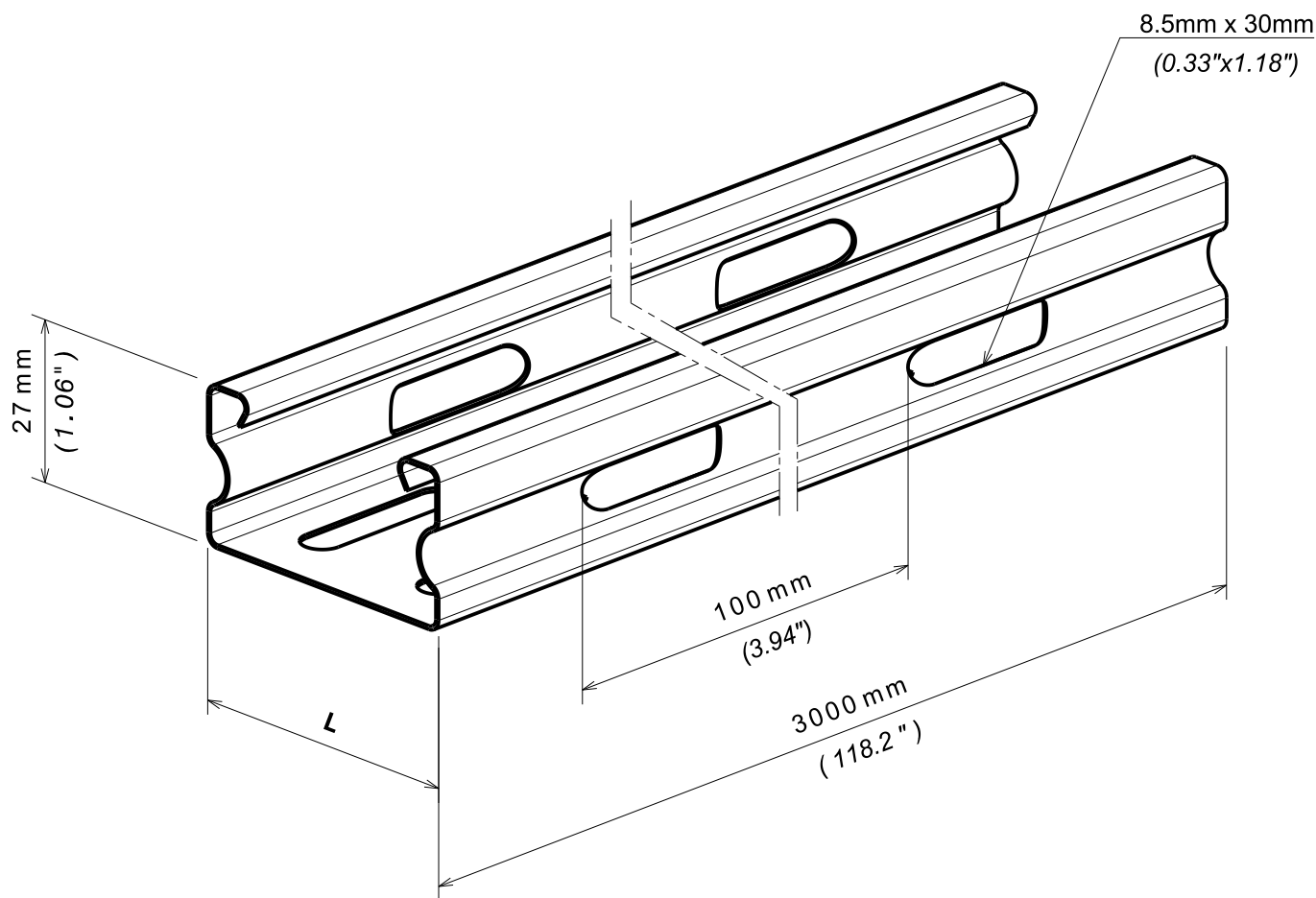
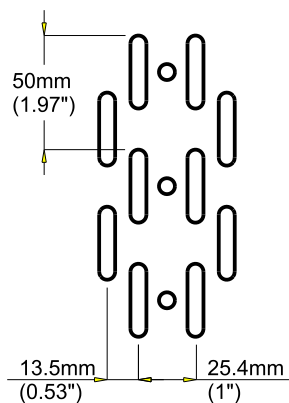
FT0555-0

01 13

P31 TP 25x50



P31 TP 25x75



REF	CODE	POIDS /WEIGHT		L / L		EP. / TH.	
		(Kg/m)	(lb/ft)	(mm)	(inch)	(mm)	(inch)
P31 TP 25x50	340 044	0.550	0.369	50	(1.969")	0.6	(0.024")
P31 TP 25x75	340 045	0.640	0.430	77	(3.031")	0.6	(0.024")

Material	Standard
DX51D Z 200 MAC	EN 10 346