

DALLE P31 TP25 300
Tray P31 perf 25x300

GS / PG

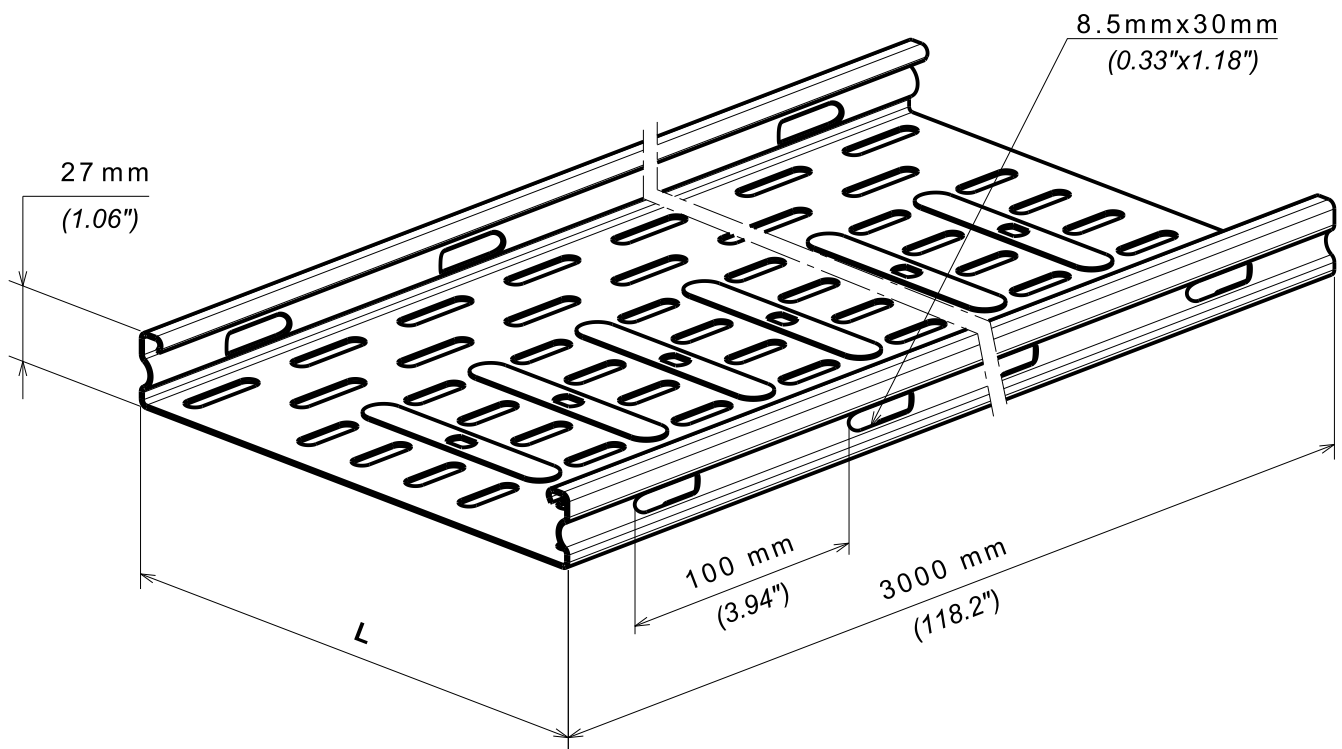
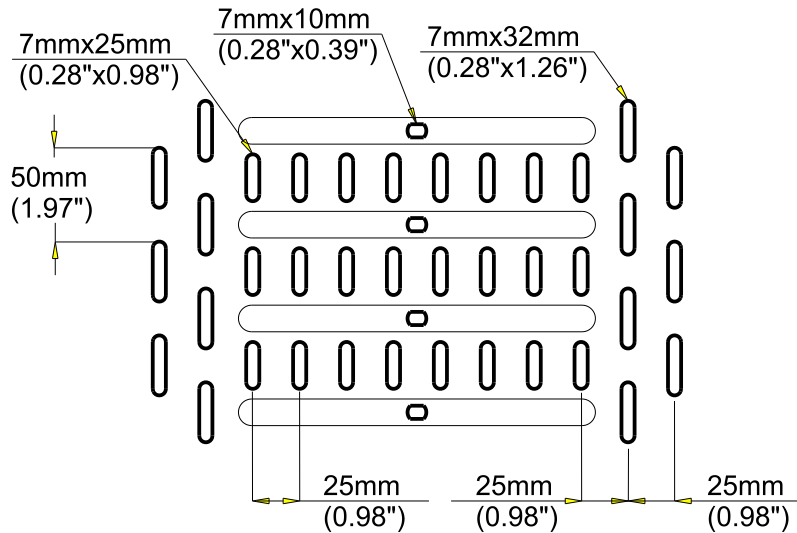


CABLE
MANAGEMENT

FT0557-0

01 13

P31 TP 25x300



REF	CODE	POIDS /WEIGHT		L / L		EP. / TH.	
		(Kg/m)	(lb/ft)	(mm)	(inch)	(mm)	(inch)
P31 TP 25x300	340 049	1.95	1.310	300	(11.82")	0.75	(0.029")

Material	Standard
DX51D Z 200 MAC	EN 10 346

Propriété exclusive de LEGRAND, ne peut être ni copié, ni transmis à des tiers sans autorisation écrite.
Exclusive property of LEGRAND shouldn't be reproduced or transmitted to any people without written authorization