

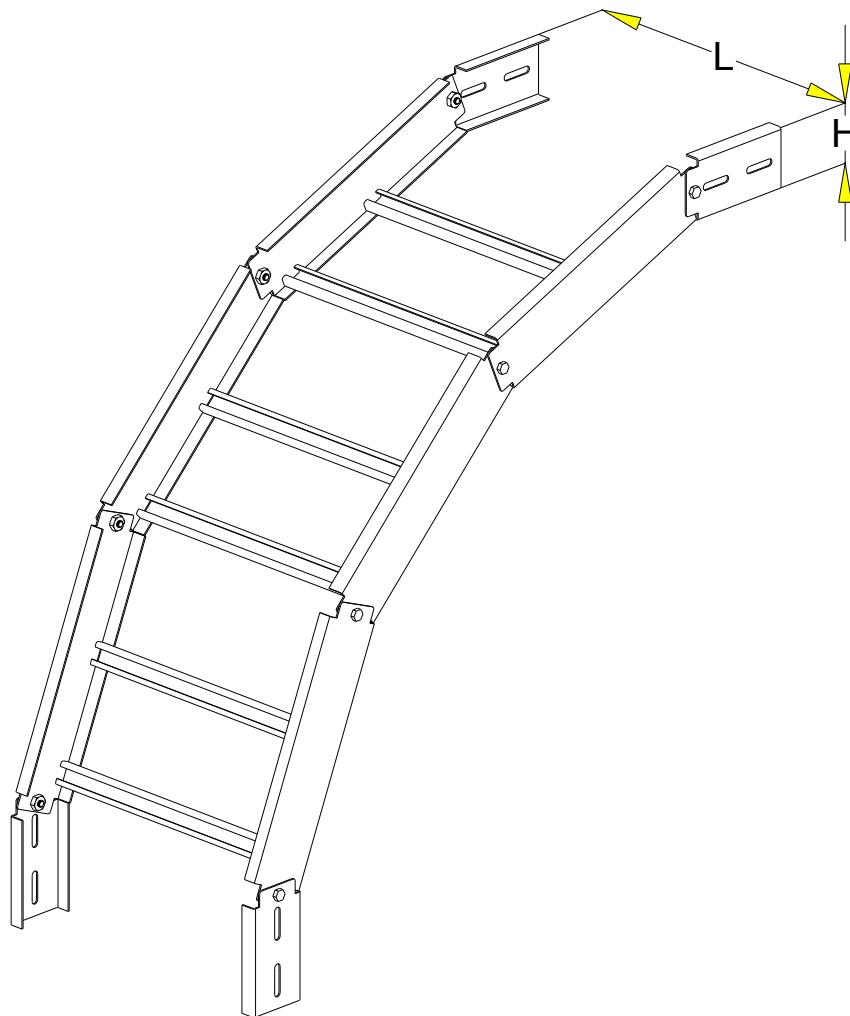
CP SFS GLO4
CP SFS GLO4

GC
HDG

legrand | CABLE
MANAGEMENT

FT0650-3

11 13



REF	CODE	L (mm)	L (inch)	H (mm)	H (inch)	Poids(kg)	Weight(lb)
SFS GLO4M60/200	83 624 52	200	7.88	60	2.36	3,058	6.771
SFS GLO4M60/300	83 624 53	300	11.82	60	2.36	3,632	8.041
SFS GLO4M60/400	83 624 54	400	15.76	60	2.36	4,129	9.142
SFS GLO4M60/500	83 624 55	500	19.70	60	2.36	4,682	10.366
SFS GLO4M60/600	83 624 56	600	23.64	60	2.36	5,214	11.544
SFS GLO4M100/200	83 625 52	200	7.88	100	3.94	4,104	9.085
SFS GLO4M100/300	83 625 53	300	11.82	100	3.94	4,644	10.282
SFS GLO4M100/400	83 625 54	400	15.76	100	3.94	5,184	11.478
SFS GLO4M100/500	83 625 55	500	19.70	100	3.94	5,832	12.912
SFS GLO4M100/600	83 625 56	600	23.64	100	3.94	6,372	14.108

NORMES / STANDARD	
MATIERE / MATERIAL S 235 JR	EN 10 025
PROTECTION / COATING GC / HDG	EN ISO 1461
Epaisseur / Thickness 1,25mm / 0.049"	

Propriété exclusive de LEGRAND, ne peut être ni copié, ni transmis à des tiers sans autorisation écrite.

Exclusive property of LEGRAND shouldn't be reproduced or transmitted to any people

without written authorization