

COUDE 90 P31 FBP H50 100 à 500
Perforated Flat bend P31 100x50 to 500

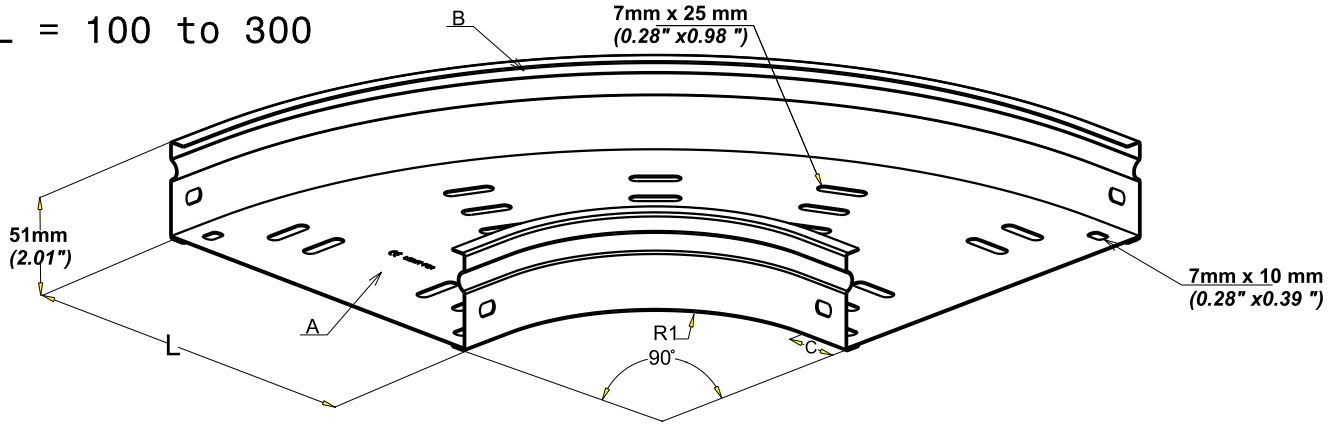
GS
PG

legrand | CABLE
MANAGEMENT

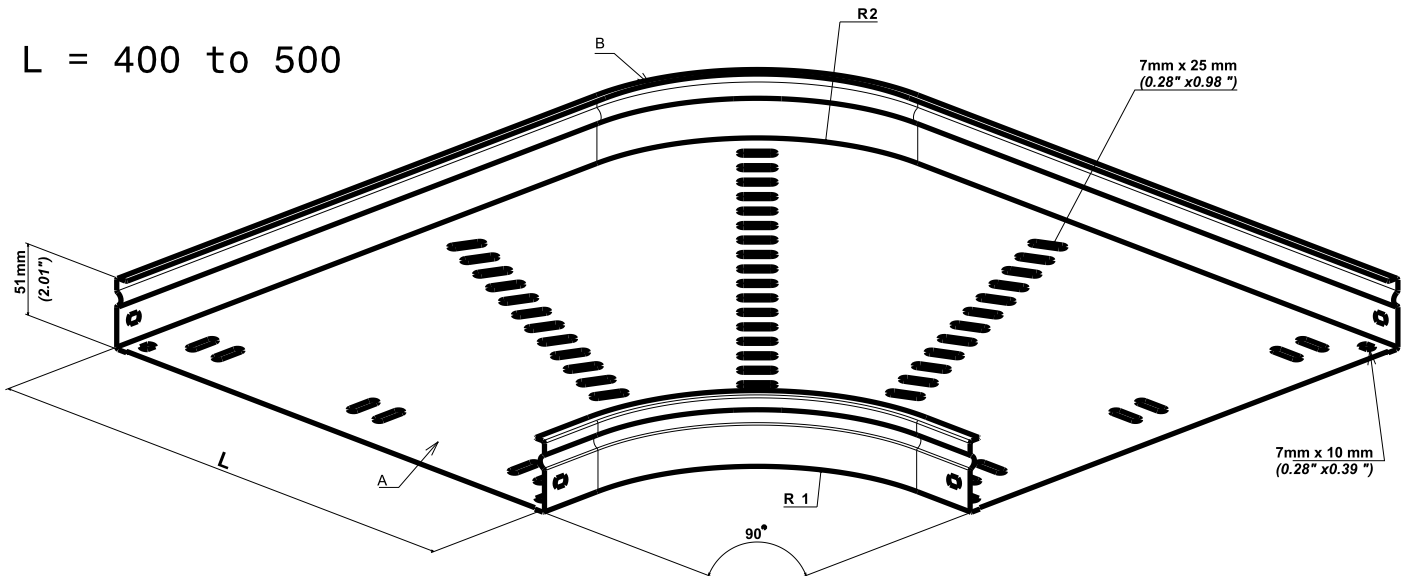
FT0755-0

02 16

L = 100 to 300



L = 400 to 500



REF	CODE	L / L (mm) (inch)	A / A (mm) (inch)	B / B (mm) (inch)	C / C (mm) (inch)	R1 / R1 (mm) (inch)	R2 / R2 (mm) (inch)
P31 FBP 50x100	341 190	100 (3.94")	0.8 (0.032")	1 (0.039")	30 (1.18")	100 (3.94")	/ /
P31 FBP 50x150	341 191	150 (5.91")	0.8 (0.032")	1 (0.039")	30 (1.18")	100 (3.94")	/ /
P31 FBP 50x200	341 192	200 (7.87")	0.8 (0.032")	1 (0.039")	30 (1.18")	100 (3.94")	/ /
P31 FBP 50x300	341 193	300 (11.81")	1 (0.039")	1 (0.039")	30 (1.18")	100 (3.94")	/ /
P31 FBP 50x400	341 194	400 (15.75")	1 (0.039")	1 (0.039")	50 (1.97")	150 (5.91")	150 (5.91")
P31 FBP 50x500	341 195	500 (19.69")	1 (0.039")	1 (0.039")	50 (1.97")	150 (5.91")	150 (5.91")

Material	Standard
DX 51 D Z 275 MAC	EN 10 346

Propriété exclusive de LEGRAND, ne peut être ni copié, ni transmis à des tiers sans autorisation écrite.

Exclusive property of LEGRAND shouldn't be reproduced or transmitted to any people without written authorization