

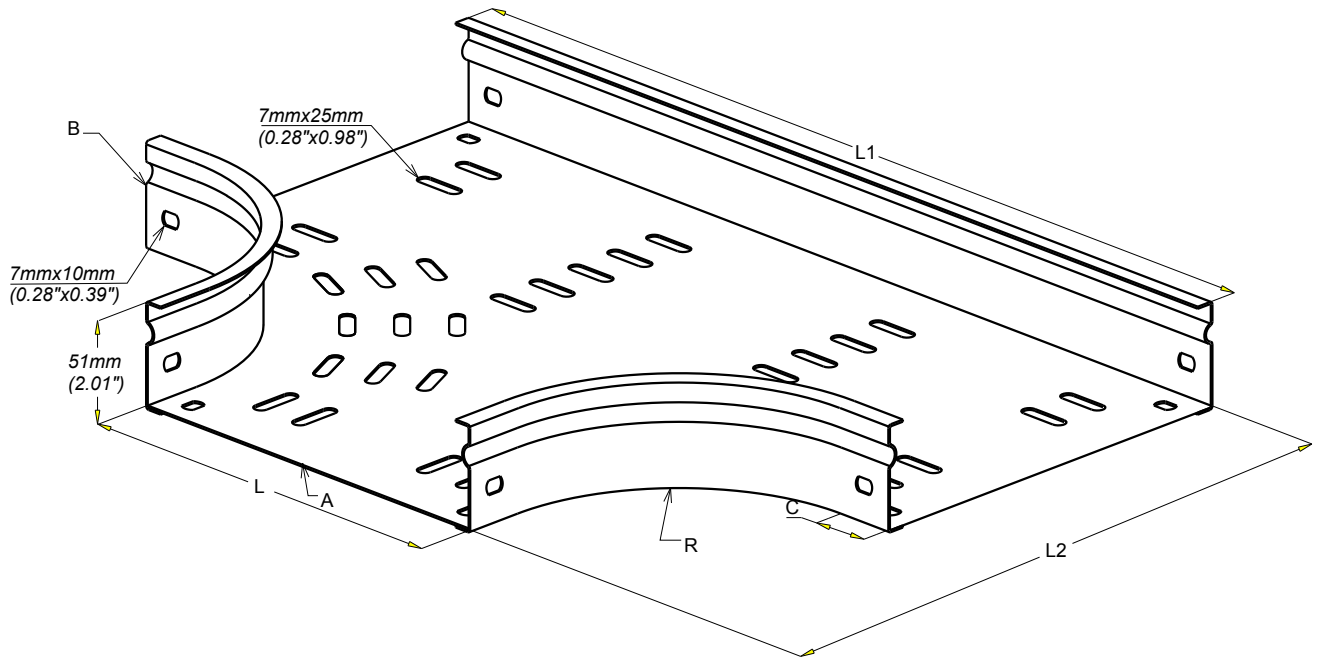
TE P31 TEP H50 100 à 500
 PERFORATED T-PIECE P31 50x100 to 500

GS
 PG

legrand | CABLE
 MANAGEMENT

FT0763-0

11 13



REF	CODE	L /L (mm) (inch)	A /A (mm) (inch)	B /B (mm) (inch)	C /C (mm) (inch)	R /R (mm) (inch)	L1 /L1 (mm) (inch)	L2 /L2 (mm) (inch)
P31 TEP 50x100	341 454	100 (3.94")	0.8 0.032"	1 0.039"	30 (1.18")	100 (3.94")	358 (14.11")	229 (9.02")
P31 TEP 50x150	341 455	150 (5.91")	0.8 0.032"	1 0.039"	30 (1.18")	100 (3.94")	408 (16.08")	279 (10.99")
P31 TEP 50x200	341 456	200 (7.87")	0.8 0.032"	1 0.039"	30 (1.18")	100 (3.94")	458 (18.05")	329 (12.96")
P31 TEP 50x300	341 457	300 (11.81")	1 0.039"	1 0.039"	30 (1.18")	100 (3.94")	558 (21.99")	429 (16.90")
P31 TEP 50x400	341 458	400 (15.75")	1 0.039"	1 0.039"	50 (1.97")	150 (5.91")	798 (31.44")	599 (23.60")
P31 TEP 50x500	341 459	500 (19.69")	1 0.039"	1 0.039"	50 (1.97")	150 (5.91")	898 (35.38")	699 (27.54")

Material	Standard
DX 51 D Z 275 MAC	EN 10 346

Propriété exclusive de LEGRAND, ne peut être ni copié, ni transmis à des tiers sans autorisation écrite.

Exclusive property of LEGRAND shouldn't be reproduced or transmitted to any people

without written authorization