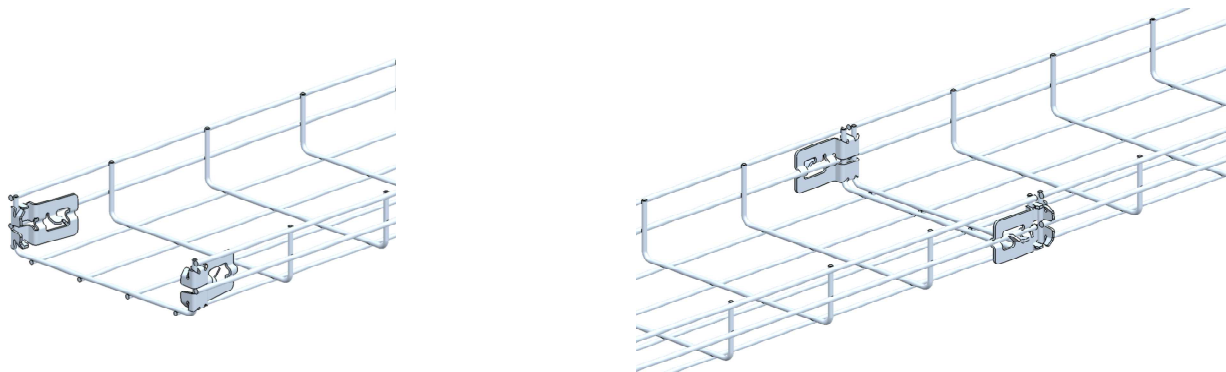


**ZF31
FZF31 – EZ**

Reference(s) : 347 335 à 342


1 RANGE

Material	Standard
C9D	EN 10 016-2
Finition Coating	Standard
Fe/Zn12/A	NF EN ISO 2081
Accessory / Material	Standard
S235 JR	EN 10 025

REF	CODE	POIDS / WEIGHT		L _{int}		L	
		(Kg)	(lb)	mm	inch	mm	inch
FZF 50/50	347 335	1.433	0.650	34,0	1,339	47	1,850
FZF 50/75	347 336	1.512	0.686	60,4	2,378	74	2,913
FZF 50/100	347 337	1.803	0.818	83,4	3,283	97	3,819
FZF 50/150	347 338	2.342	1.062	133,4	5,252	147	5,787
FZF 50/200	347 339	2.653	1.203	182,4	7,181	197	7,756
FZF 50/300	347 340	3.275	1.486	281,4	11,079	297	11,693
FZF 50/400	347 341	4.582	2.078	379,2	14,929	397	15,630
FZF 50/500	347 342	5.203	2.360	479,2	18,866	497	19,567

Dimensions in (mm/Inch) :

