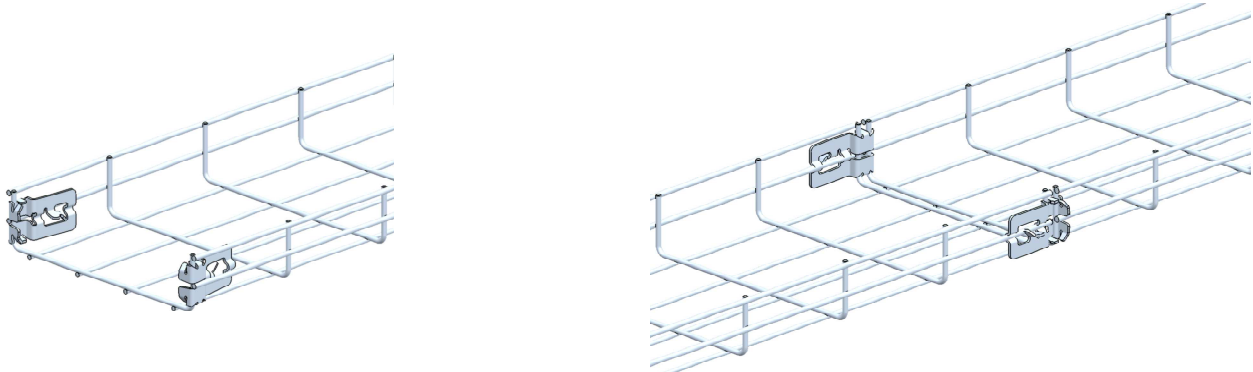


ZF31 FZF31 - HDG

Reference(s) : 347 318 à 325


1 RANGE

Material	Standard
C9D	EN 10 016-2
Finition Coating	Standard
HDG	NF EN ISO 1461
Accessory / Material	Standard
DX 51D ZnMg 140	EN 10 346

REF	CODE	POIDS/ WEIGHT		L _{int}		L	
		(Kg)	(lb)	mm	inch	mm	inch
FZF 50/50	347 318	1.476	0.669	34,0	1,339	47	1,850
FZF 50/75	347 319	1.557	0.706	60,4	2,378	74	2,913
FZF 50/100	347 320	1.857	0.842	83,4	3,283	97	3,819
FZF 50/150	347 321	2.412	1.094	133,4	5,252	147	5,787
FZF 50/200	347 322	2.733	1.239	182,4	7,181	197	7,756
FZF 50/300	347 323	3.373	1.530	281,4	11,079	297	11,693
FZF 50/400	347 324	4.719	2.141	379,2	14,929	397	15,630
FZF 50/500	347 325	5.359	2.431	479,2	18,866	497	19,567

Dimensions in (mm/Inch) :

