

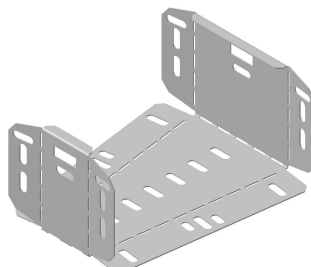
**P31 - CPC COUDE 15D SLIDE-IN**  
**P31 - CPC FLAT BEND 15D**

 Référence(s) : **487814/15/16/17/18/19/20**  
 Items(s) :


100 mm



100 -&gt; 600 mm

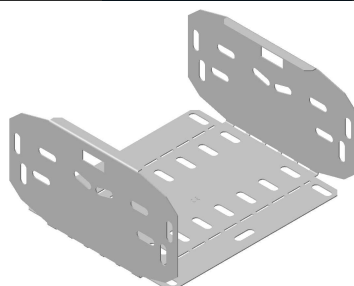
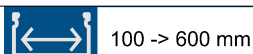

**1. GAMME/RANGE**
**P31 - CPC COUDE 15D H100 SLIDE-IN GS**  
**P31 - CPC FLAT BEND 15D H100 PG**

Designation Description	Code	Poids Weight (Kg)	Épaisseur Thickness (mm)	Matière Raw Material	Norme matière Standard Raw Material	Finition Coating	Norme Finition Standard Coating	Section (mm <sup>2</sup> )
P31-CPC COUDE 15D 100x100 SLIDE-IN GS P31-CPC FLAT BEND 15D 100x100 PG	487814	0,27	1	DX51D + Z200	EN 10346	GS/PG/Z	EN 10346	9749
P31-CPC COUDE 15D 100x150 SLIDE-IN GS P31-CPC FLAT BEND 15D 100x150 PG	487815	0,33	1	DX51D + Z200	EN 10346	GS/PG/Z	EN 10346	14635
P31-CPC COUDE 15D 100x200 SLIDE-IN GS P31-CPC FLAT BEND 15D 100x200 PG	487816	0,40	1	DX51D + Z200	EN 10346	GS/PG/Z	EN 10346	19494
P31-CPC COUDE 15D 100x300 SLIDE-IN GS P31-CPC FLAT BEND 15D 100x300 PG	487817	0,56	1	DX51D + Z200	EN 10346	GS/PG/Z	EN 10346	29268
P31-CPC COUDE 15D 100x400 SLIDE-IN GS P31-CPC FLAT BEND 15D 100x400 PG	487818	0,74	1	DX51D + Z200	EN 10346	GS/PG/Z	EN 10346	38986
P31-CPC COUDE 15D 100x500 SLIDE-IN GS P31-CPC FLAT BEND 15D 100x500 PG	487819	0,93	1	DX51D + Z200	EN 10346	GS/PG/Z	EN 10346	48732
P31-CPC COUDE 15D 100x600 SLIDE-IN GS P31-CPC FLAT BEND 15D 100x600 PG	487820	1,15	1	DX51D + Z200	EN 10346	GS/PG/Z	EN 10346	58478

 Classe de résistance contre la corrosion 3 (IEC 61537)  
 Corrosion resistance classification 3 (IEC 61537)

P31 - CPC COUDE FLEX.IR/OR 15D  
P31 - CPC FLEXIBLE FB IR/OR 15D

Référence(s) : **487988/89/90/91/92/93/94**  
Items(s) :



### 1. GAMME/RANGE

P31 - CPC COUDE FLEX.IR/OR 15D H100 GS  
P31 - CPC FLEXIBLE FB IR/OR 15D H100 PG

Designation Description	Code	Poids Weight (Kg)	Épaisseur Thickness (mm)	Matière Raw Material	Norme matière Standard Raw Material	Finition Coating	Norme Finition Standard Coating	Section (mm <sup>2</sup> )
P31-CPC COUDE FLEX IR/OR 15D 100X100 GS P31-CPC FLEXIBLE IR/OR 15D 100X100 PG	487988	0,38	1	DX51D + Z200	EN 10346	GS/PG/Z	EN 10346	10258
P31-CPC COUDE FLEX IR/OR 15D 100X150 GS P31-CPC FLEXIBLE IR/OR 15D 100X150 PG	487989	0,44	1	DX51D + Z200	EN 10346	GS/PG/Z	EN 10346	15371
P31-CPC COUDE FLEX IR/OR 15D 100X200 GS P31-CPC FLEXIBLE IR/OR 15D 100X200 PG	487990	0,50	1	DX51D + Z200	EN 10346	GS/PG/Z	EN 10346	20485
P31-CPC COUDE FLEX IR/OR 15D 100X300 GS P31-CPC FLEXIBLE IR/OR 15D 100X300 PG	487991	0,62	1	DX51D + Z200	EN 10346	GS/PG/Z	EN 10346	30710
P31-CPC COUDE FLEX IR/OR 15D 100X400 GS P31-CPC FLEXIBLE IR/OR 15D 100X400 PG	487992	0,73	1	DX51D + Z200	EN 10346	GS/PG/Z	EN 10346	40936
P31-CPC COUDE FLEX IR/OR 15D 100X500 GS P31-CPC FLEXIBLE IR/OR 15D 100X500 PG	487993	0,85	1	DX51D + Z200	EN 10346	GS/PG/Z	EN 10346	51162
P31-CPC COUDE FLEX IR/OR 15D 100X600 GS P31-CPC FLEXIBLE IR/OR 15D 100X600 PG	487994	0,96	1	DX51D + Z200	EN 10346	GS/PG/Z	EN 10346	61388

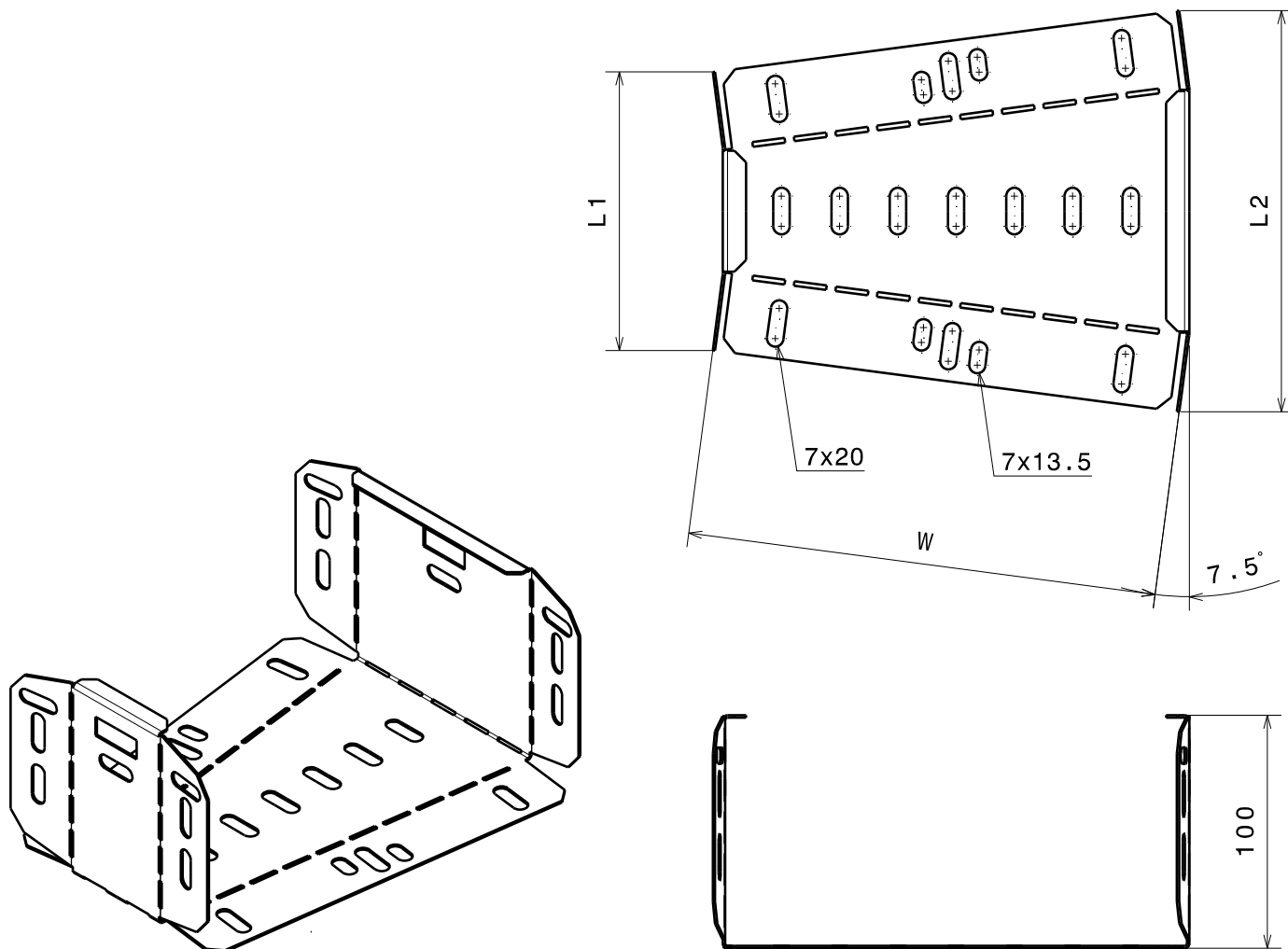
Classe de résistance contre la corrosion 3 (IEC 61537)  
Corrosion resistance classification 3 (IEC 61537)

**P31 - CPC COUDE 15D SLIDE-IN**  
**P31 - CPC FLAT BEND 15D**

 Référence(s) : **487814/15/16/17/18/19/20**  
 Items(s) :

**2. DIMENSIONS (mm)**

Designation Description	Largeur Width ( W mm)	L1 (mm)	L2 (mm)
P31-CPC COUDE 15D 100X100 SLIDE-IN P31-CPC FLAT BEND 15D 100X100	102	120	146
P31-CPC COUDE 15D 100X150 SLIDE-IN P31-CPC FLAT BEND 15D 100X150	152	120	159
P31-CPC COUDE 15D 100X200 SLIDE-IN P31-CPC FLAT BEND 15D 100X200	202	120	172
P31-CPC COUDE 15D 100X300 SLIDE-IN P31-CPC FLAT BEND 15D 100X300	302	121	198
P31-CPC COUDE 15D 100X400 SLIDE-IN P31-CPC FLAT BEND 15D 100X400	402	122	224
P31-CPC COUDE 15D 100X500 SLIDE-IN P31-CPC FLAT BEND 15D 100X500	502	120	250
P31-CPC COUDE 15D 100X600 SLIDE-IN P31-CPC FLAT BEND 15D 100X600	602	120	276

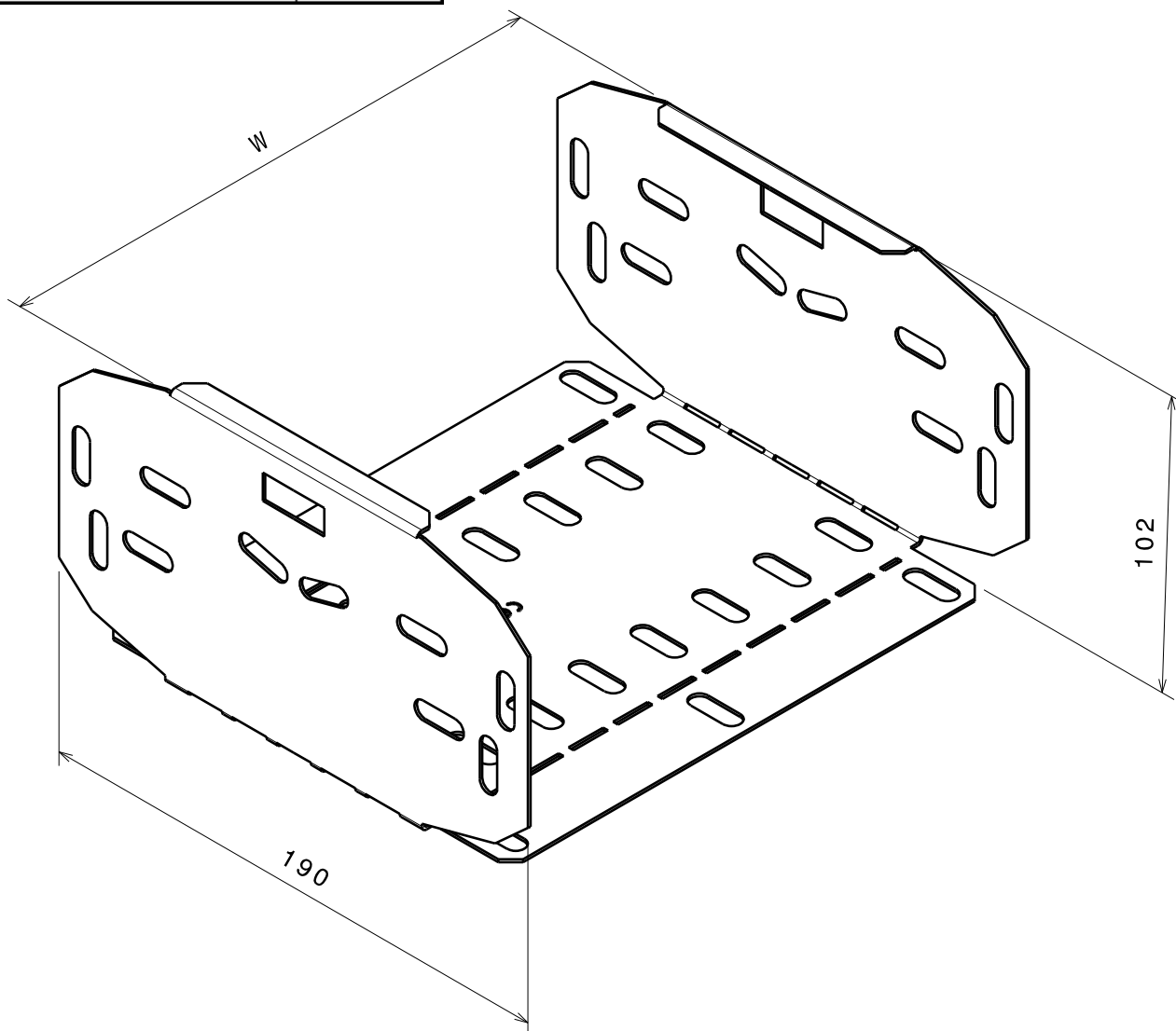


**P31 - CPC COUDE FLEX.IR/OR 15D**  
*P31 - CPC FLEXIBLE FB IR/OR 15D*

 Référence(s) : **487988/89/90/91/92/93/94**  
 Items(s) :

**2. DIMENSIONS (mm)**

Designation Description	Largeur Width ( W mm)
P31-CPC COUDE FLEX.IR/OR 15D 100X100 <i>P31-CPC FLEXIBLE FB IR/OR 15D 100X100</i>	102
P31-CPC COUDE FLEX.IR/OR 15D 100X150 <i>P31-CPC FLEXIBLE FB IR/OR 15D 100X150</i>	152
P31-CPC COUDE FLEX.IR/OR 15D 100X200 <i>P31-CPC FLEXIBLE FB IR/OR 15D 100X200</i>	202
P31-CPC COUDE FLEX.IR/OR 15D 100X300 <i>P31-CPC FLEXIBLE FB IR/OR 15D 100X300</i>	302
P31-CPC COUDE FLEX.IR/OR 15D 100X400 <i>P31-CPC FLEXIBLE FB IR/OR 15D 100X400</i>	402
P31-CPC COUDE FLEX.IR/OR 15D 100X500 <i>P31-CPC FLEXIBLE FB IR/OR 15D 100X500</i>	502
P31-CPC COUDE FLEX.IR/OR 15D 100X600 <i>P31-CPC FLEXIBLE FB IR/OR 15D 100X600</i>	602



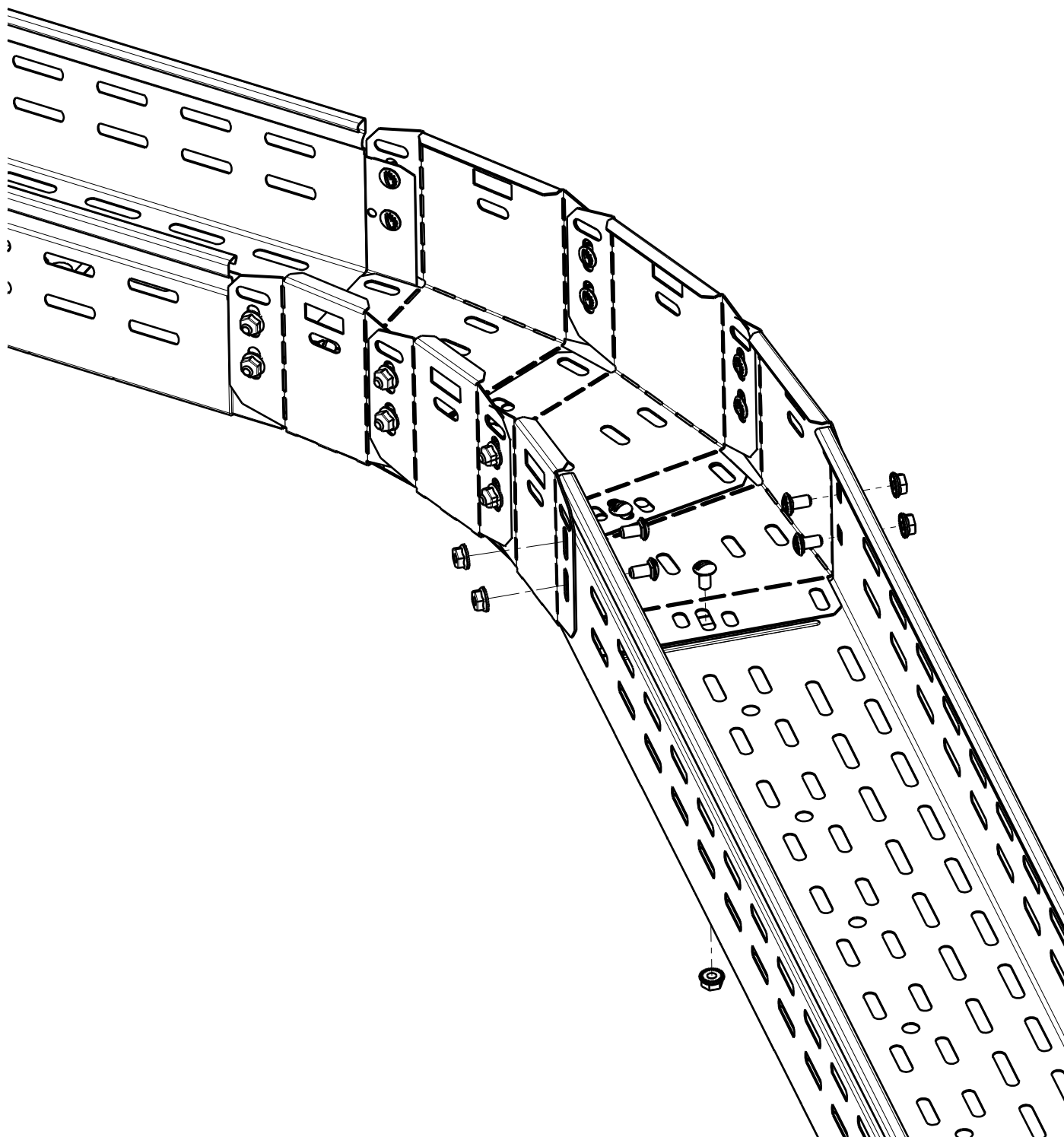
P31 - CPC COUDE 15D SLIDE-IN  
P31 - CPC FLAT BEND 15D

Référence(s) : 487814/15/16/17/18/19/20  
Items(s) :

	M6		11 Nm
	M6		

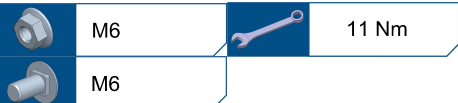
Référence(s) : 341895 (PG)  
Item(s) : 346895 (AISI 316L)

	100 -> 600 mm
--	---------------



P31 - CPC COUDE FLEX.IR/OR 45D  
P31 - CPC FLEXIBLE FB IR/OR 45D

Référence(s) : 487988/89/90/91/92/93/94  
Items(s) :



Référence(s) : 341895 (PG)  
Item(s) : 346895 (AISI 316L)

