

Plug PowerTOP Xtra G

Part number: 13360



MENNEKES
Elektrotechnik GmbH & Co. KG

Aloys-Mennekes-Straße 1
57399 Kirchhundem
GERMANY

www.MENNEKES.org

Product Description

- screw connection technology ErgoCONTACT
- economic enclosure design with nubbed grip areas
- enclosure with thread lock and safety slide
- rubberised bayonet ring
- highly heat resistant contact carrier, nickel plated contacts
- sealed against dust, temporary submersion and high pressure cleaning
- protection against kinking
- strain relief
- rubberised cable gland with sealing
- area for self-adhesive labels
- with protective grommet to prevent dirt from accumulating

Technical Details

| Plug PowerTOP Xtra G | 13360 |
|---|---|
| Product serie | PowerTOP Xtra G |
| Ampere | 32A |
| Number of poles | 5p |
| Clock position | 6h |
| Nominal voltage AC | 400V |
| Nominal frequency | 50 - 60 Hz |
| Protection type IP | IP67, IP69 |
| Contact carrier | highly heat resistant contact carrier, nickel plated contacts |
| Connection | screw terminals - ErgoCONTACT |
| Contact screw drive | PZ2, slot |
| Tightening torque connection terminal | 1.8 Nm |
| Recommended wire end treatment for supply cable connection terminal | ferrule square gasproof crimped |
| Strip length jacket | 68 mm |
| Strip length conductor | 12 - 15 mm |
| Phase inverter | without phase inverter |
| Pilot contact | without pilot contact |
| Conductor cross-section min. | 2.5 mm ² |
| Conductor cross-section max. | 6 mm ² |
| Cable kink protection | integrated in cable gland |
| Protective grommet | with protective grommet |

| | |
|-----------------------------|------------------------|
| Plug PowerTOP Xtra G | 13360 |
| Protective cap | without protective cap |
| Weight (net) | 282 g |
| Packaging unit | 10 pcs |
| EAN / identification number | 4015394310211 |

Permissible ambient conditions

| | Min. | Max. |
|-------------------------------|--------|-------|
| Permanent ambient temperature | -25 °C | 40 °C |

Material properties

| | |
|--------------|---|
| Cover | PA6 squirrel grey [similar RAL 7000] |
| Front part | PA6 red [similar RAL 3013] |
| | TPE black [similar RAL 9005] |
| Bayonet ring | PBT/PC squirrel grey [similar RAL 7000] |
| | TPE anthracite [similar RAL 7016] |
| Clamp basket | PA6 natural colour [no RAL colour code] |
| | TPE natural colour [no RAL colour code] |
| Fastening | PA6 squirrel grey [similar RAL 7000] |
| | TPE anthracite [similar RAL 7016] |

Material resistance

The material resistance overview can be found on the website in the section “Knowledge” - “Product knowledge” - “Materials”.

Material and environmental properties

| | |
|-----------------------------------|---|
| RoHS 2011/65/EU incl. 2015/863/EU | ✓ |
| POP regulation (EU) 2019/1021 | ✓ |

Regulations and Standards

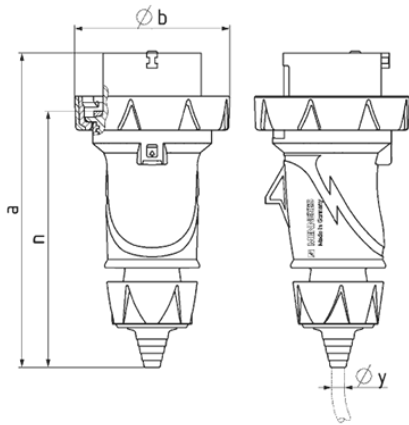
Norm

DIN EN IEC 60309-2

Declaration of Conformity

CE

Dimensional Drawing



| Drawing | Amp. | 16 | | 32 |
|--------------------------------------|------|-------|-------|------|
| | | Poles | | 5 |
| 2 MB 269 | | 3 | 5 | 5 |
| Dim. in mm | a | 176 | 185 | 223 |
| | b | 73 | 89 | 102 |
| | n | 143 | 152 | 181 |
| y min. from | | 7 | 8 | 13.5 |
| to max. mm | | -13 | -15.5 | -20 |
| Terminal for cond. cross | | 1 | 1 | 2.5 |
| section (mm ²) min.-max. | | -2.5 | -2.5 | -6 |