

Plug PowerTOP Xtra R

Part number: 13612



MENNEKES
Elektrotechnik GmbH & Co. KG

Aloys-Mennekes-Straße 1
57399 Kirchhundem
GERMANY

www.MENNEKES.org

Product Description

- screw connection technology ErgoCONTACT
- economic enclosure design with nubbed grip areas
- enclosure with thread lock and safety slide
- highly heat resistant contact carrier, nickel plated contacts
- protection against kinking
- strain relief
- rubberised cable gland with sealing
- area for self-adhesive labels

Technical Details

| Plug PowerTOP Xtra R | 13612 |
|---|---|
| Product serie | PowerTOP Xtra R |
| Ampere | 32A |
| Number of poles | 5p |
| Clock position | 11h |
| Nominal voltage AC | 440 - 460V |
| Nominal frequency | 60 Hz |
| Protection type IP | IP54 |
| Contact carrier | highly heat resistant contact carrier, nickel plated contacts |
| Connection | screw terminals - ErgoCONTACT |
| Contact screw drive | PZ2, slot |
| Tightening torque connection terminal | 1.8 Nm |
| Recommended wire end treatment for supply cable connection terminal | ferrule square gasproof crimped |
| Strip length jacket | 68 mm |
| Strip length conductor | 12 - 15 mm |
| Phase inverter | without phase inverter |
| Pilot contact | without pilot contact |
| Conductor cross-section min. | 2.5 mm ² |
| Conductor cross-section max. | 6 mm ² |
| Cable kink protection | integrated in cable gland |
| Protective grommet | without protective grommet |
| Protective cap | without protective cap |
| Weight (net) | 367 g |

| | |
|-----------------------------|---------------|
| Plug PowerTOP Xtra R | 13612 |
| Packaging unit | 10 pcs |
| EAN / identification number | 4015394296638 |

| Permissible ambient conditions | | |
|--------------------------------|--------|-------|
| | Min. | Max. |
| Permanent ambient temperature | -25 °C | 40 °C |

| Material properties | |
|---------------------|---|
| Cover | PA6 squirrel grey [similar RAL 7000] |
| Front part | PA6 red [similar RAL 3013] |
| Clamp basket | PA6 natural colour [no RAL colour code] |
| | TPE natural colour [no RAL colour code] |
| Fastening | PA6 squirrel grey [similar RAL 7000] |
| | TPE anthracite [similar RAL 7016] |

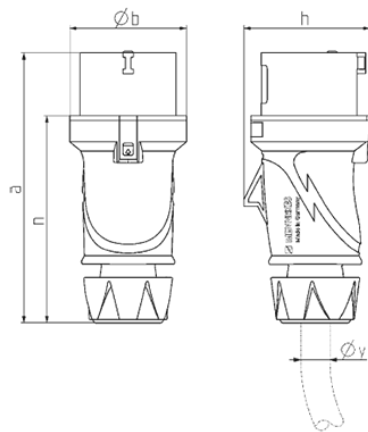
Material resistance

The material resistance overview can be found on the website in the section “Knowledge” - “Product knowledge” - “Materials”.

| Material and enviromental properties | |
|--------------------------------------|---|
| RoHS 2011/65/EU incl. 2015/863/EU | ✓ |
| POP regulation (EU) 2019/1021 | ✓ |

| Regulations and Standards | |
|---------------------------|-------------------------|
| Norm | DIN EN IEC 60309-2 |
| Declaration of Conformity | CE |
| Test label | CB Zertifikat, VDE, EAC |

Dimensional Drawing



| Drawing 2 MB 253 | Amp. Poles | 16 | | | 32 | | |
|--------------------------------------|---------------|------|-------|-------|------|------|------|
| | | 3 | 4 | 5 | 3 | 4 | 5 |
| Dim. in mm | a | 154 | 163 | 163 | 196 | 196 | 196 |
| | b | 55 | 68 | 68 | 78 | 78 | 78 |
| | h | 58 | 70 | 74 | 81 | 81 | 86 |
| | n | 118 | 126 | 126 | 151 | 151 | 151 |
| y min. from | | 7 | 8 | 8 | 10.5 | 10.5 | 13.5 |
| to max. mm | | -13 | -15.5 | -15.5 | -18 | -18 | -20 |
| Terminal for cond. cross | | 1 | 1 | 1 | -2.5 | -2.5 | -2.5 |
| section (mm ²) min.-max. | | -2.5 | -2.5 | -2.5 | -6 | -6 | -6 |