

Plug PowerTOP Xtra R

Part number: 13665



MENNEKES
Elektrotechnik GmbH & Co. KG

Aloys-Mennekes-Straße 1
57399 Kirchhundem
GERMANY

www.MENNEKES.org

Product Description

- screw connection technology ErgoCONTACT
- economic enclosure design with nubbed grip areas
- enclosure with thread lock and safety slide
- rubberised bayonet ring
- highly heat resistant contact carrier, nickel plated contacts
- sealed against dust, temporary submersion and high pressure cleaning
- protection against kinking
- strain relief
- rubberised cable gland with sealing
- area for self-adhesive labels

Technical Details

Plug PowerTOP Xtra R	13665
Product serie	PowerTOP Xtra R
Ampere	16A
Number of poles	3p
Clock position	1h
Nominal voltage AC	50 - 500V
Protection type IP	IP67, IP69
Contact carrier	highly heat resistant contact carrier, nickel plated contacts
Connection	screw terminals - ErgoCONTACT
Contact screw drive	PZ2, slot
Tightening torque connection terminal	1.2 Nm
Recommended wire end treatment for supply cable connection terminal	ferrule square gasproof crimped
Strip length jacket	55 mm
Strip length conductor	10 mm
Phase inverter	without phase inverter
Pilot contact	without pilot contact
Conductor cross-section min.	1 mm ²
Conductor cross-section max.	2.5 mm ²
Cable kink protection	integrated in cable gland
Protective grommet	without protective grommet
Protective cap	without protective cap
Weight (net)	200 g

Plug PowerTOP Xtra R	13665
Packaging unit	10 pcs
EAN / identification number	4015394306122

Permissible ambient conditions		
	Min.	Max.
Permanent ambient temperature	-25 °C	40 °C

Material properties	
Cover	PA6 squirrel grey [similar RAL 7000]
Front part	PA6 light grey [similar RAL 7035]
	TPE black [similar RAL 9005]
Bayonet ring	PBT/PC squirrel grey [similar RAL 7000]
	TPE anthracite [similar RAL 7016]
Clamp basket	PA6 natural colour [no RAL colour code]
	TPE squirrel grey [similar RAL 7000]
Fastening	PA6 squirrel grey [similar RAL 7000]
	TPE anthracite [similar RAL 7016]

Material resistance

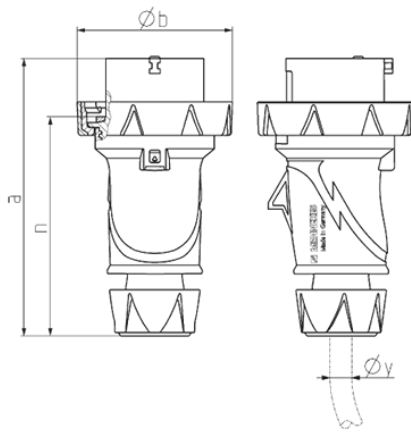
The material resistance overview can be found on the website in the section “Knowledge” - “Product knowledge” - “Materials”.

Material and environmental properties	
RoHS 2011/65/EU incl. 2015/863/EU	✓
POP regulation (EU) 2019/1021	✓

Regulations and Standards

Norm	DIN EN IEC 60309-2
Declaration of Conformity	CE
Test label	CB Zertifikat, VDE

Dimensional Drawing



Drawing 2 MB 256	Amp. Poles	16			32		
		3	4	5	3	4	5
Dim. in mm	a	154	163	163	196	196	196
	b	73	81	89	95	95	102
	n	121	129	129	154	154	154
y min. from		7	8	8	10.5	10.5	13.5
to max. mm		-13	-15.5	-15.5	-18	-18	-20
Terminal for cond. cross		1	1	1	-2.5	-2.5	-2.5
section (mm ²) min.-max.		-2.5	-2.5	-2.5	-6	-6	-6