

Phase sequence test plug

Part number: 1437



MENNEKES
Elektrotechnik GmbH & Co. KG

Aloys-Mennekes-Straße 1
57399 Kirchhundem
GERMANY

www.MENNEKES.org

Product Description

- to VDE 0413, part 7, DIN-EN 61557-7

Technical Details

Phase sequence test plug	1437
Ampere	63A
Number of poles	5p
Clock position	6h
Nominal voltage AC	400V
Nominal frequency	50 - 60 Hz
Protection type IP	IP44
Contact carrier	standard
Connection	without connection
Contact screw drive	PZ2, slot
Recommended wire end treatment for supply cable connection terminal	no ferrule treatment
Phase inverter	without phase inverter
Pilot contact	1 pilot contact
Cable kink protection	without cable kink protection
Protective grommet	without protective grommet
Protective cap	without protective cap
Weight (net)	671 g
Packaging unit	5 pcs
EAN / identification number	4015394010791

Permissible ambient conditions

	Min.	Max.
Permanent ambient temperature	-25 °C	40 °C

Material properties

Cover	PC crystal clear [no RAL colour code]
Front part	PC red [similar RAL 3013]

Material resistance

The material resistance overview can be found on the website in the section “Knowledge” - “Product knowledge” - “Materials”.

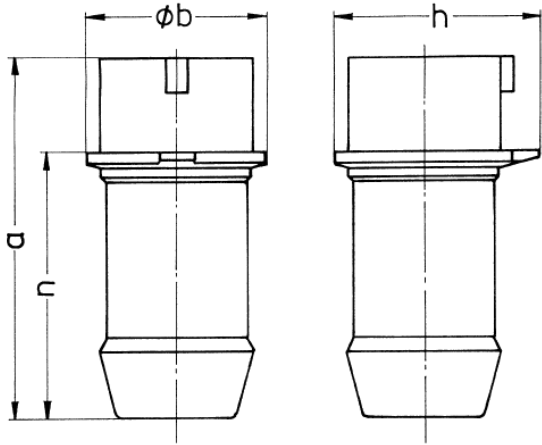
Material and environmental properties

RoHS 2011/65/EU incl. 2015/863/EU	✓
POP regulation (EU) 2019/1021	✓

Regulations and Standards

Norm	DIN EN IEC 60309-2
Declaration of Conformity	CE
Test label	CQC

Dimensional Drawing



Drawing	Amp. Poles	16		32		63	
		4	5	4	5	4	5
2 MB 140							
Dim. in mm	a	126	129	145	145	211	211
	b	60	65	66	74	100	100
	h	62	69	71	80	100	100
	n	90	93	99	99	145	145