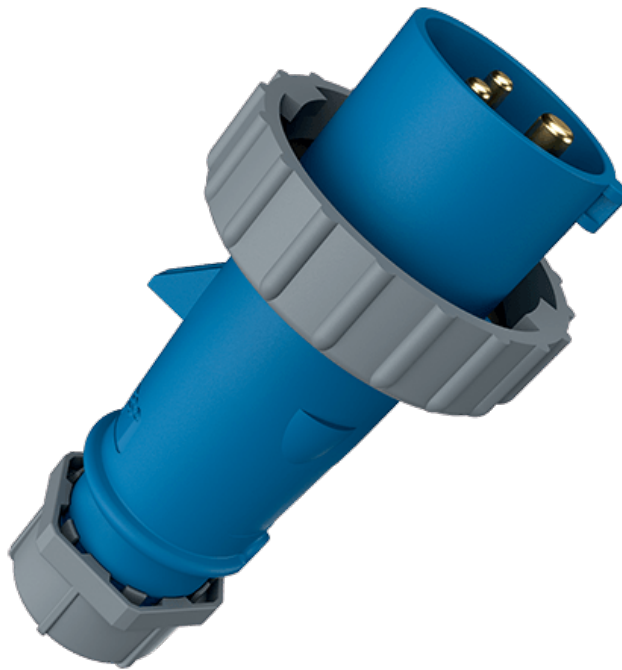


# Plug AM-TOP

Part number: 290



**MENNEKES**  
Elektrotechnik GmbH & Co. KG

Aloys-Mennekes-Straße 1  
57399 Kirchhundem  
GERMANY

[www.MENNEKES.org](http://www.MENNEKES.org)

# Product Description

- screw connection technology
- single part body
- protection against kinking
- strain relief
- cable gland and sealing

# Technical Details

Plug AM-TOP	290
Product serie	AM-TOP
Ampere	32A
Number of poles	3p
Clock position	6h
Nominal voltage AC	230V
Nominal frequency	50 - 60 Hz
Protection type IP	IP67
Contact carrier	standard
Connection	screw terminals
Contact screw drive	PZ2, slot
Tightening torque connection terminal for cable cross-section 2,5 - 4,0 mm <sup>2</sup>	0.8 Nm
Tightening torque connection terminal for cable cross-section 6,0 mm <sup>2</sup>	1.2 Nm
Recommended wire end treatment for supply cable connection terminal	ferrule square gasproof crimped
Strip length jacket	50 mm
Strip length conductor	12 - 17 mm
Phase inverter	without phase inverter
Pilot contact	without pilot contact
Conductor cross-section min.	2.5 mm <sup>2</sup>
Conductor cross-section max.	6 mm <sup>2</sup>
Cable kink protection	integrated in cable gland
Protective grommet	without protective grommet
Protective cap	without protective cap
Weight (net)	292 g

Plug AM-TOP	290
Packaging unit	10 pcs
EAN / identification number	4015394002031

Permissible ambient conditions		
	Min.	Max.
Permanent ambient temperature	-25 °C	40 °C

Material properties	
Housing	PA6 blue [similar RAL 5007]
Bayonet ring	PC/PET squirrel grey [similar RAL 7000]
Clamp basket	PA6 natural colour [no RAL colour code]
	TPE natural colour [no RAL colour code]
Fastening	PA6 squirrel grey [similar RAL 7000]

**Material resistance**

The material resistance overview can be found on the website in the section “Knowledge” - “Product knowledge” - “Materials”.

Material and enviromental properties	
RoHS 2011/65/EU incl. 2015/863/EU	✓
POP regulation (EU) 2019/1021	✓

Regulations and Standards	
Norm	DIN EN IEC 60309-2
Declaration of Conformity	CE
Test label	CB Zertifikat, VDE, EAC, CQC

# Dimensional Drawing



Drawing 2 MB 218	Amp. Poles	16			32		
		3	4	5	3	4	5
Dim. in mm	a	142	144	147	186	186	180
	b	70	78	87	94	94	101
	n	109	111	114	145	145	138
	y	14.5	16	16	22	22	22
Terminal for cond. cross		1	1	1	2.5	2.5	2.5
section (mm <sup>2</sup> ) min.-max.		-2.5	-2.5	-2.5	-6	-6	-6