

Wall mounted receptacle DUO

Part Number.: 5603306N



MENNEKES

Elektrotechnik GmbH & Co. KG
Aloys-Mennekes-Straße 1
57399 KIRCHHUNDEM GERMANY
www.MENNEKES.org

Product Description

- Screw terminals
- Pre-wired for installation
- X-CONTACT
- Switched
- Mechanical DUO interlock
- 3 pole switch
- receptacles can be padlocked

Technical Details

Wall mounted receptacle - DUO	5603306N
Product series	DUO
Switch Disconnecter	Yes
Ampere	32A
Number of Poles	3p P
Clock position	6h h
Voltage	230V
Hertz	50-60 Hz
Current Type	AC
Switch Type	3P + N' + PE
Protection Type	IP44
Impact resistance	IK08
Contact carrier	Standard
Pilot contact	Without pilot contact
Connection	Screw-terminals
LED voltage indicator	No

Padlocked	Yes
Mounting method	Wall mounted
Cable entry	Top & Bottom 2 x M25 top or bottom closed 1 x M25 and 1 x M32 top or bottom closed
Weight (net)	1263 g
EAN / identification number	4015394299165

Permissible ambient conditions

Permanent ambient temperature min. - max.	from -25°C to +40°C °C
-------------------------------------------	------------------------

Material properties

Hinged lid	PC similar RAL 5017 blue
Upper enclosure part	PC/ASA similar RAL 7035 light grey
Enclosure base	PC/ASA similar RAL 9005 black
Rotary Switch	PC/ASA similar RAL 7035 light grey
Material of exterior screws	PA6 similar RAL 9005 black

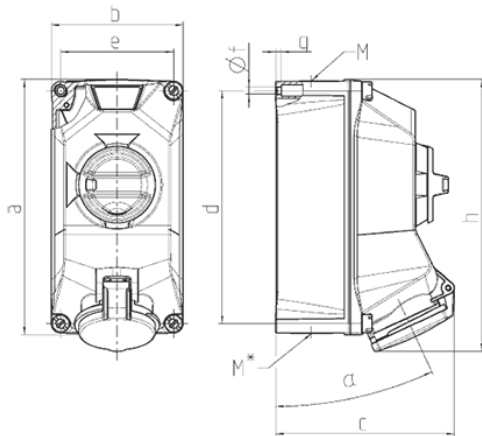
Material resistance

The material resistance overview can be found on the website in the "Knowledge" section → "Product knowledge" → "Materials"

Regulations and Standards

RoHS 2011/65/EU incl. 2015/863/EU	✓
POP Regulation (EU) 2019/1021	✓
Norm(s)	IEC 60309-4
Declaration of conformity	CE
Test mark	VDE, EAC

Dimensional drawing



Drawing 1 MB 713 Dim. in mm	Amp. Poles	16			32		
		3	4	5	3	4	5
a		225	225	225	225	225	225
b		118	118	118	118	118	118
c		160	160	160	162	162	162
d		208	208	208	208	208	208
e		101	101	101	101	101	101
f		6.4	6.4	6.4	6.4	6.4	6.4
g		5	5	5	5	5	5
h		238	244	243	249	249	250
α			25			25	
M		1x25 and 1x32			1x25 and 1x32		
M*		2x25	2x25	2x25	2x25	2x25	2x25
Max. cable diam. (mm)		25	25	25	25	25	25
Terminal for cond. cross section (mm ²) min.-max.		2.5 -10	2.5 -10	2.5 -10	2.5 -10	2.5 -10	2.5 -10