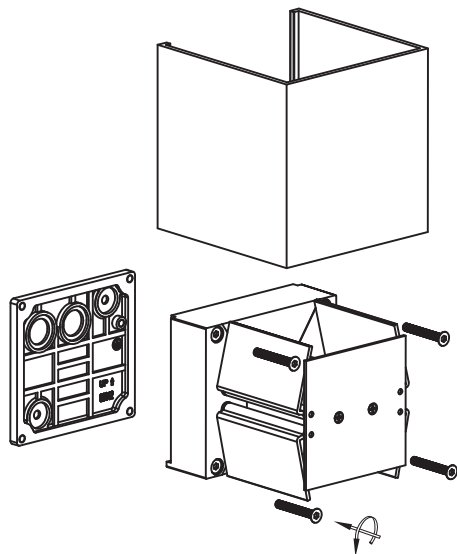
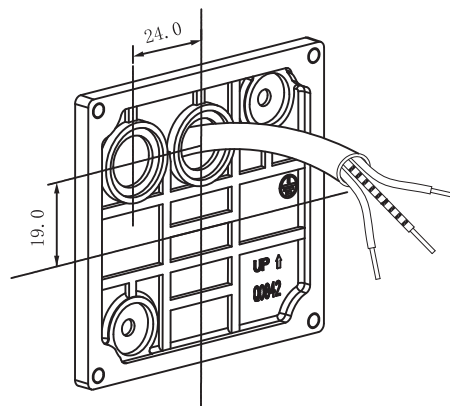


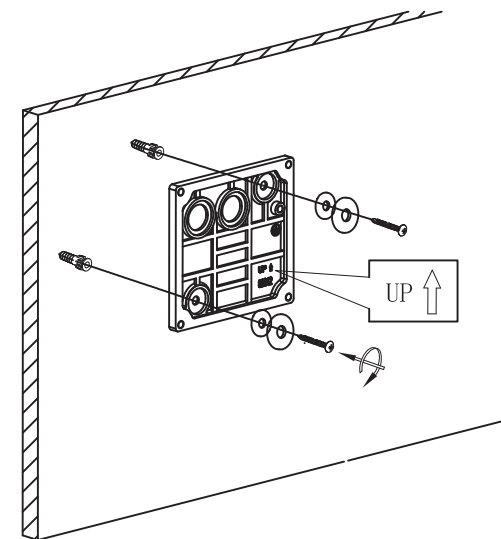
①



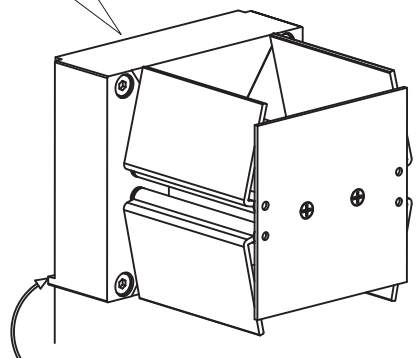
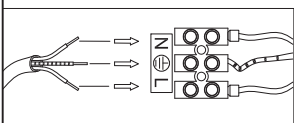
②



③

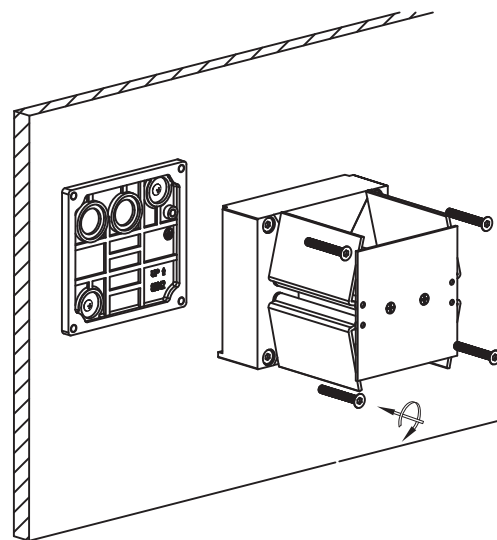


④

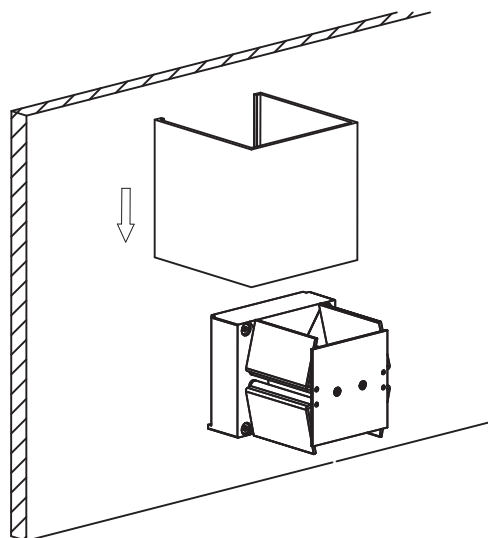


Pls install the base in the right direction like this.

⑤



⑥



⑦

