

Item

P30W353-9005C1930H3U
p.thirty Wand schwarz U 15mm

General

LED HO 3000K 62W 5239lm DALI CRI90 3531mm
inkl. Endkappen
3 Wandbügel, Wandabstand (Tiefe) = 14 mm

Leuchtmittel

Farbwiedergabeindex Ra90
Risikogruppe RG0 IEC 62471
MacAdam 3
UGR25 DIN EN 12464-1.2021-11
melanopic ratio = 0,57

Abmessung

LxBxH: 3531x31x050mm

Oberfläche/Farbe

Aluminium
pulverbeschichtet schwarz RAL9005 Feinstruktur
matt

Optik

Diffusor PMMA U-Form 15 mm satiniert

Schutzart

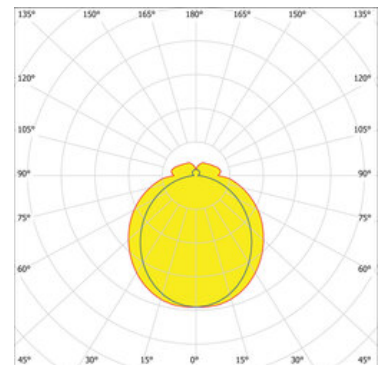
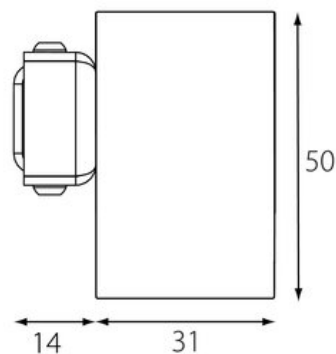
IP20 / Schutzklasse I

Anschluss

230V 50/60Hz
inkl. Konverter DALI

Gewicht

2,7 kg


Product-Information

Superslim high-class luminaire with LEDs, constructed out of an extruded aluminium section, with a fine structure powder coating in matte black 'RAL9005' for wall mounting with included 3 wall brackets, wall distance (depth) = 14 mm, designed for direct light emission, light emission direct through satined diffusor made of PMMA in U-shape (15 mm high). Electrical connection through 3 used pins, endcaps, 3 wall brackets, wall distance (depth) = 14 mm and dimmable built-in constant LED driver with DALI included. Luminaire equipped with the latest generation of linear LED boards with an efficiency of 84 lumens per watt, the innovative LED technology produces a luminous flux of 5239 lm with 62 W, colour temperature of 3000 K, colour rendering index (CRI) > 90, glare rating according to classification according to DIN EN 12464-1.2021-11 with UGR < 25, melanopic ratio = (0,57), ingress protection IP20, protection class I, blue light hazard risk group RG0 IEC 62471, rated lifetime of minimum 60.000 h [according to EU decree No. 1194/2012]. Design cables in different lengths and colours are optionally available as an extra for the feed. individual customized solutions possible with compatible elements: p.thirty segments linear, p.thirty segments L-shape horizontal and vertical, p.thirty segments T- and X-shape horizontal. light source, control gear, dimensions LxWxH: 3531x31x050 mm, weight: 2,7 kg